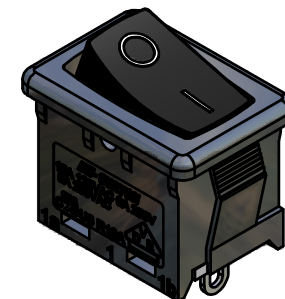
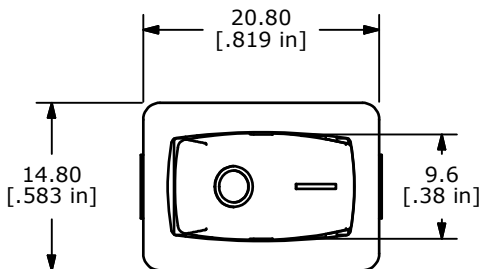


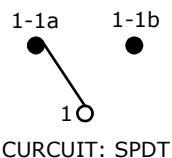
RECOMMENDED PANEL MOUNTING

PANEL THICKNESS	'X' DIM.
0.75-1.25	19.2 - 19.3
1.25-2.00	19.3 - 19.4
2.00-3.00	19.5 - 19.6



ISOMETRIC

SWITCH FUNCTION		
POS. 1	POS. 2	POS. 3
ON	NONE	ON
1-1a	OPEN	1-1b



NOTES:

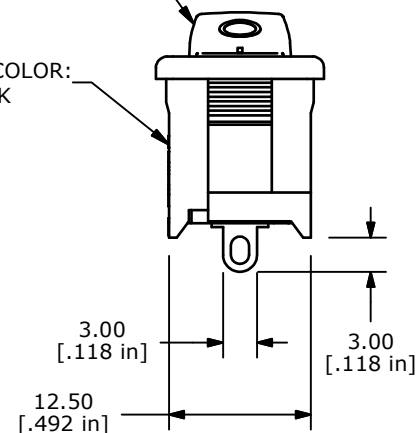
- ALL DIMENSIONS IN MM [INCH]
- GENERAL TOLERANCE: X.X=±0.4
X.XX=±0.25
- TERM. NOS. FOR REF. ONLY
- RATING: 15A @125VAC;
8A @250VAC.
- LAMP VOLTAGE: NO LAMP
- MATERIAL:
CONTACT SURFACE: COIN SILVER, SILVER PLATED.
TERMINAL: COPPER ALLOY w/SILVER PLATE
- ELECTRICAL LIFE: 10,000 CYCLES
- CONTACT RESISTANCE: <20 MILLI-OHMS INITIAL
- DIELECTRIC STRENGTH: >1,500V AC 1 MIN
- ▲ DENOTES CRITICAL PARAMETER.
- 2002/95/EC (RoHS) COMPLIANT B

OBSOLETE
 November 2017
 PCR 23111



ACTUATOR COLOR:
BLACK

HOUSING COLOR:
BLACK



B	19359	UPDATE HOUSING & NOTES	11/02/10	BMA
A	17995	RELEASED FOR PRODUCTION	3/5/08	BLR
REV	PCR NO	DESCRIPTION	DATE	BY

TITLE R1966CBLKBLKFS				
SCALE	DATE	DR	DWG	REV
1.5:1	3/5/2008	BLR	M309332	B

THE INFORMATION CONTAINED IN THIS DOCUMENT IS PROPRIETARY TO E-SWITCH AND IS NOT TO BE COPIED OR TRANSFERRED