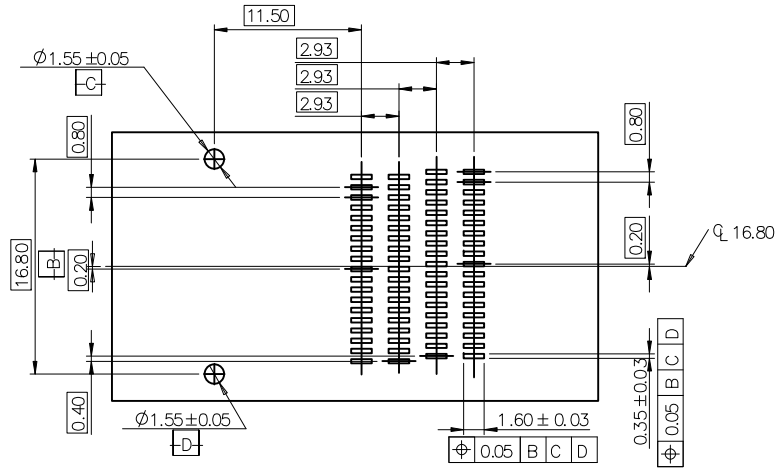
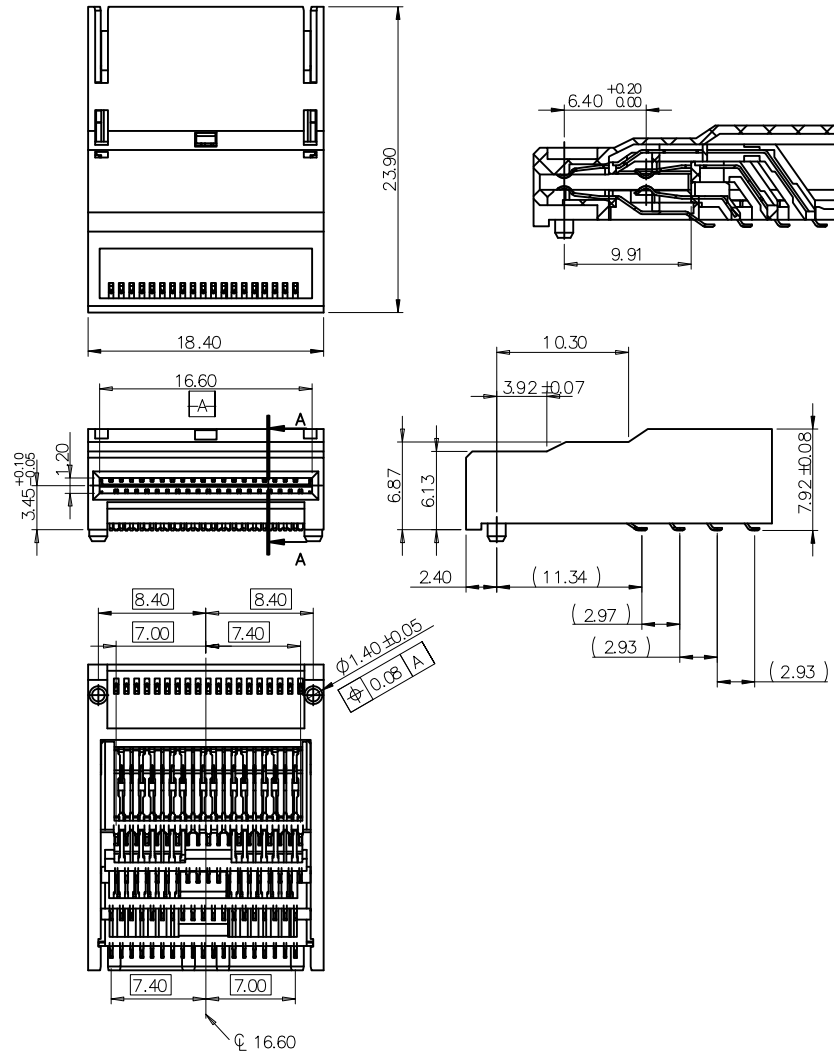


APPROVED: _____
 DATE: _____ TITLE: _____

Rev	AWO #	Description	Date	Appr
-		RELEASED	10/4/22	



RECOMMENDED PCB LAYOUT



SPECIFICATIONS:

Material:
 Insulator: (LCP) Hi-Temp Thermoplastic, rated UL 94V-0
 Insulator color: Black
 Insert Molding: LCP, UL 94V-0, Color: Black
 Contacts: Phosphor Bronze
 Plating:
 30u" Gold over Nickel underplate on contact area,
 Tin over Nickel underplate on solder tails
 Electrical:
 Working Voltage : 30 VDC (Per Contact)
 Operating Current : 0.5 Amp (Per Contact)
 Temperature Rating:
 -40°C to +85°C
 Environmental:
 Lead free, RoHS compliant



UNLESS OTHERWISE SPECIFIED ALL DIMENSIONS ARE MILLIMETERS. TOLERANCES: EXCEPT AS NOTED		
MM	ANGLE	
X. ± 0.30	± 2'	
.X ± 0.20		
.XX ± 0.10		
DRAWN	WX	10/4/22
CHECKED	RC	10/4/22
APPROVED		
THIS DRAWING CONTAINS INFORMATION THAT IS PROPRIETARY AND SHOULD NOT BE USED WITHOUT PRIOR WRITTEN PERMISSION FROM ADAM TECH		



909 Rahway Avenue,
 Union, NJ 07083
 Phone: 908-687-5000
 Fax: 908-687-5710

TITLE		QSFP-DD TYPE CONNECTOR, 76P	
		30u" SEL GOLD PLATED	
SIZE	PART NO.	REV.	
X	QSFP-DD-76-SG-30-S1	-	
REF:	S00013T	SCALE:	NTS SHEET 1 OF 1