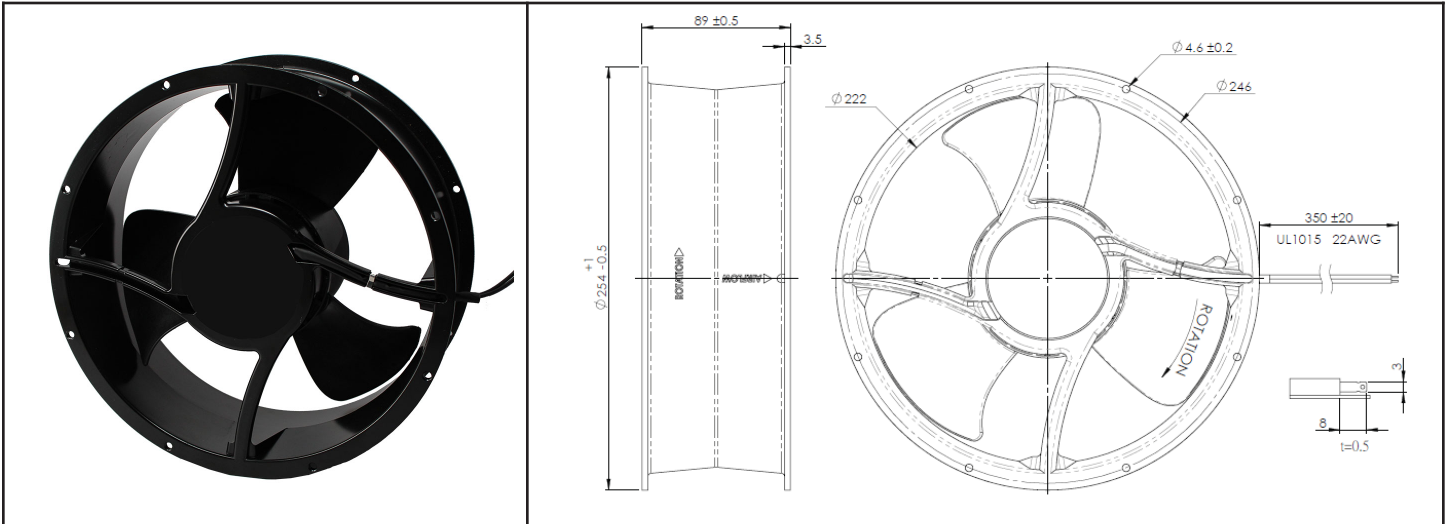


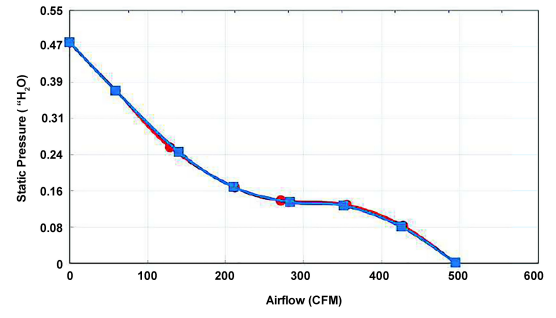
OA254EC IP68-ATEX Series



EC Fan Universal Voltage
254x89mm (10.0"x 3.5")



Frame	Diecast Aluminum	<u>Operating Temperature</u> Ball Bearing -20C ~ +70C
Impeller	PBT UL94V0- Plastic	
Connection	2x 350mm Lead wires (22AWG) or terminals	<u>Life Expectancy</u> Ball Bearing 60,000 hours (L10 at 40C)
Motor	Brushless EC motor, electronically protected	
Bearing System	Dual ball	IP68 Rating with ATEX Certification
Insulation Resistance	>10M ohm between lead-wire and frame (500VDC)	
Dielectric Strength	1 sec at 1800 VAC, 50/60Hz	Weight: ~ 4.61 lbs
		Storage Temperature -30C ~ +75C
		m2



Part Number	OA254EC-UR-1 * IP68A
Nominal Voltage	95-264 VAC
Rated Power	21W/22W (115/230VAC)
Rated Current	0.35A/0.21A
Frequency (Hz)	50 / 60
Rated Speed (RPM)	1700
Airflow (CFM)	500
Noise Level (dB)	56
Max. Static Pressure	0.48"H ₂ O

* Indicate "TB" (Terminal Ball Bearing), "WB" (13.78" Wire Leads, Ball Bearing)