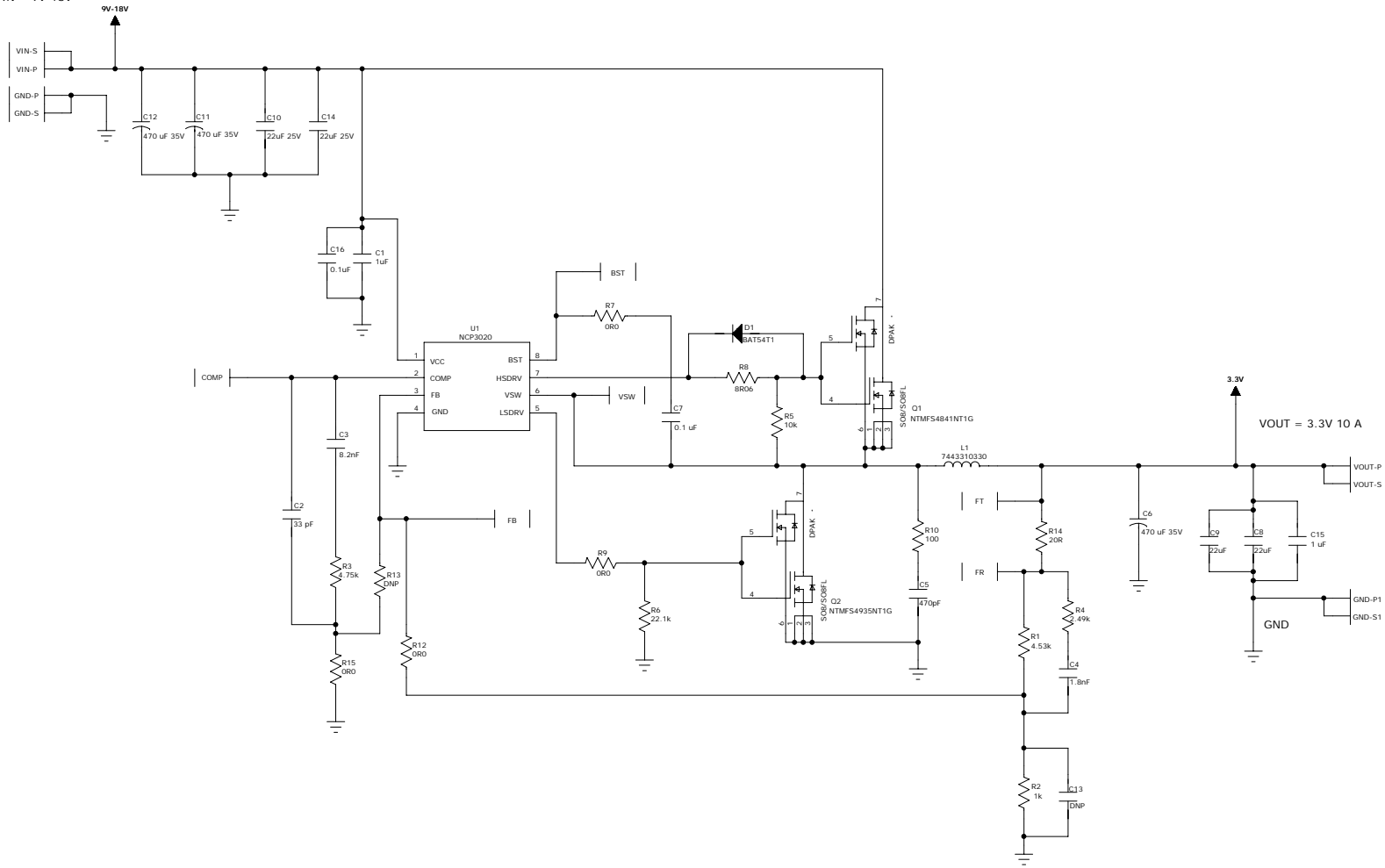



REVISION RECORD			
LTR	ECO NO:	APPROVED:	DATE:

VIN = 9V-18V



 ON Semiconductor
 1-800-282-9855
 U2 <http://www.onsemi.com>
 ON_LOGO

 U3
 PB-FREE

	R13	R15
STANDARD OTA FEEDBACK	OPEN	SHORT
TYPE 3 FEEDBACK	SHORT	OPEN

DRAWN:	BWM / JGH	DATED:	11/3/09
CHECKED:	Tom Duffy	DATED:	11/11/09
QUALITY CONTROL:		DATED:	
RELEASED:	Jim Hill	DATED:	11/12/09

COMPANY:				On Semiconductor			
TITLE:							
NCP3020 Evaluation Board							
CODE:	SIZE:	DRAWING NO:		REV:			
DGF	C	SCH-NCP3020		3			
SCALE: 1:1				SHEET: 1 of 1			