

Type ANK Automotive Blade Fuse 3 Terminal (Micro3)



www.optifuse.com (619) 593-5050

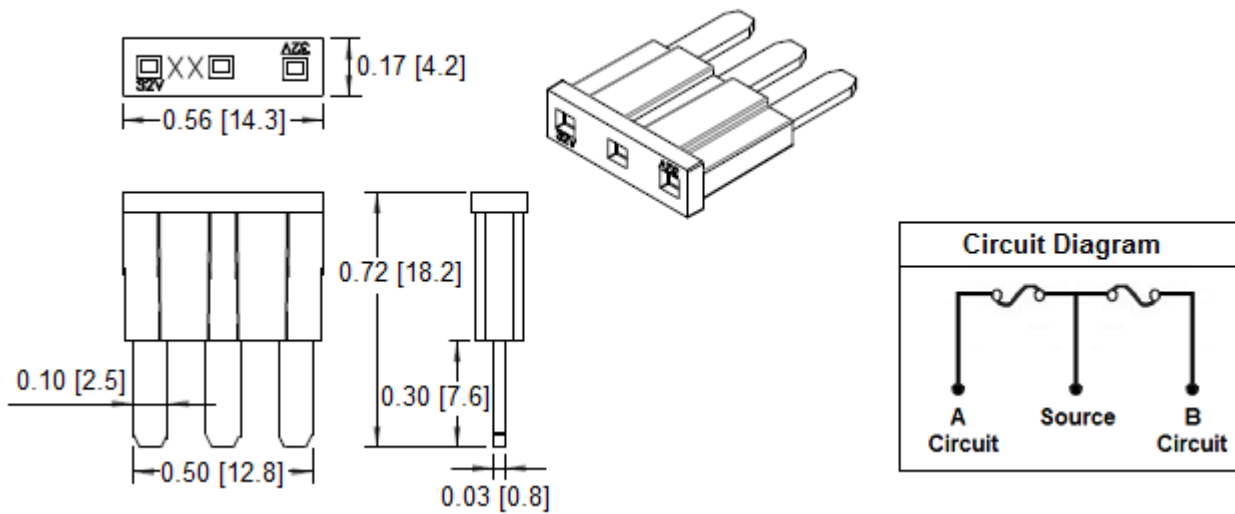
Specifications:

- Voltage: 32V DC
- Amperage: 5A, 7.5A, 10A, 15A
- Body: PA 66
- Terminals: Zinc Alloy
- Interrupting Rating: 1000A @ 32 VDC
- Designed to meet
RoHS, SAE-2741 and ISO 8820-3 Standards.

Part Number	Amperage	Body Color
ANK-5A	5A	Tan
ANK-7.5A	7.5A	Brown
ANK-10A	10A	Red
ANK-15A	15A	Blue

Time Characteristics:		
% of Rated Current	Min Hold Time	Max Hold Time
110%	100h	
135%	750ms	120s
160%	300ms	50s
200%	150ms	5s
350%	40ms	500ms
60%	20ms	100ms

Mechanical Dimensions: Inches [mm]



 Warning:	<p>-Operation beyond the specified maximum ratings or improper use may result in damage and possible electrical arcing and/or flame.</p> <p>-Avoid contact of device with chemical solvent. Prolonged contact will damage the device performance.</p>
---------------------	---