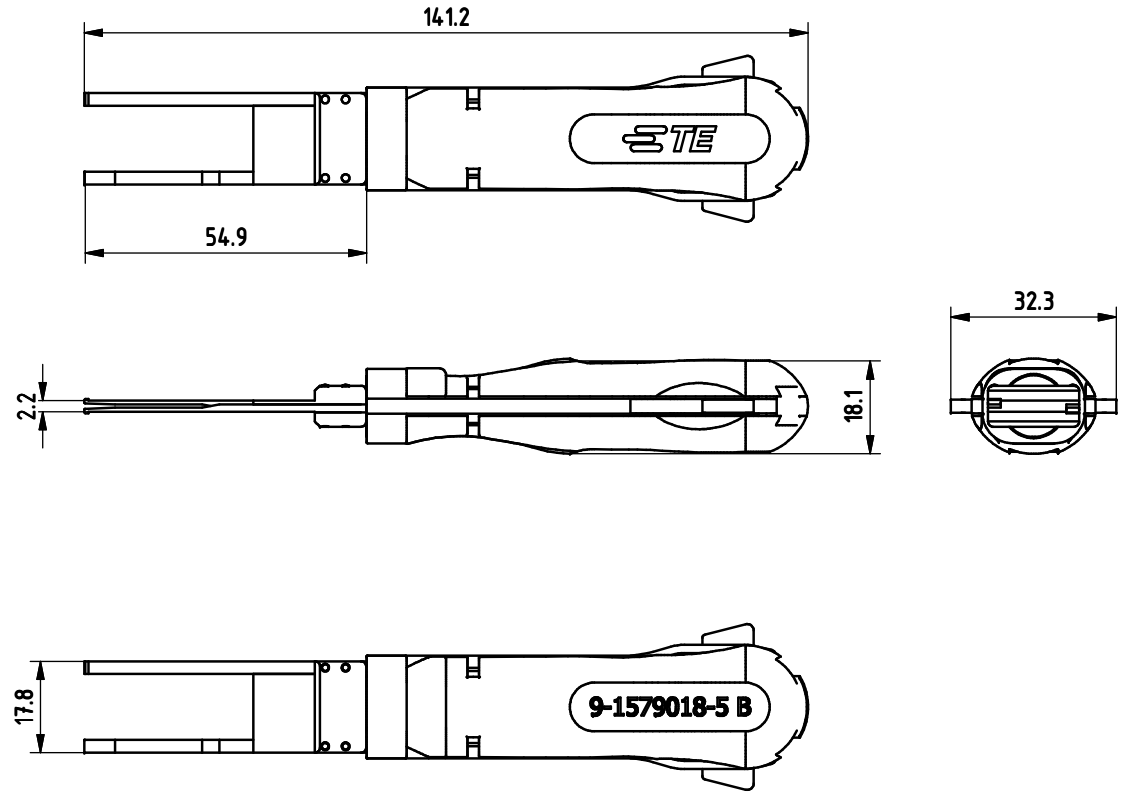
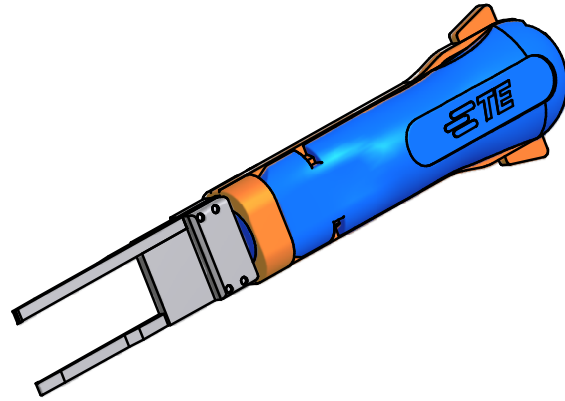


THIS DRAWING IS UNPUBLISHED. RELEASED FOR PUBLICATION
 © COPYRIGHT - BY TYCO ELECTRONICS CORPORATION. ALL INTERNATIONAL RIGHTS RESERVED.

LOC	DIST	REVISIONS					
AI	00	P	LTR	DESCRIPTION	DATE	DWN	APVD
		B		INITIAL REVISION	10NOV11	LS	GS



Anwendungsbereich / APPLICATION RANGE

CONTACT, MINIFUSES CLIPSHUNT 1801614
 HOUSING, FUSES AND RELAYS
 HOLDER 36 MINIFUSES 1801613

THIS DRAWING IS A CONTROLLED DOCUMENT.		DWN L. Sandhu	10NOV11	TE Connectivity
DIMENSIONS: mm		CHK G. Stegmayer	10NOV11	
		APVD G. Stegmayer	10NOV11	
TOLERANCES UNLESS OTHERWISE SPECIFIED: 0 PLC ± 1 PLC ± 2 PLC ± 3 PLC ± 4 PLC ± ANGLES ±		PRODUCT SPEC		NAME EXTRACTION TOOL Entriegelungswerkzeug
MATERIAL		APPLICATION SPEC		SIZE A3
FINISH		Gewicht / Weight in Kg 0,04		CAGE CODE 00779
		CUSTOMER DRAWING		DRAWING NO C= 9-1579018-5
		SCALE 1:1		RESTRICTED TO
		SHEET 1 of 1		REV B

D

C

B

A