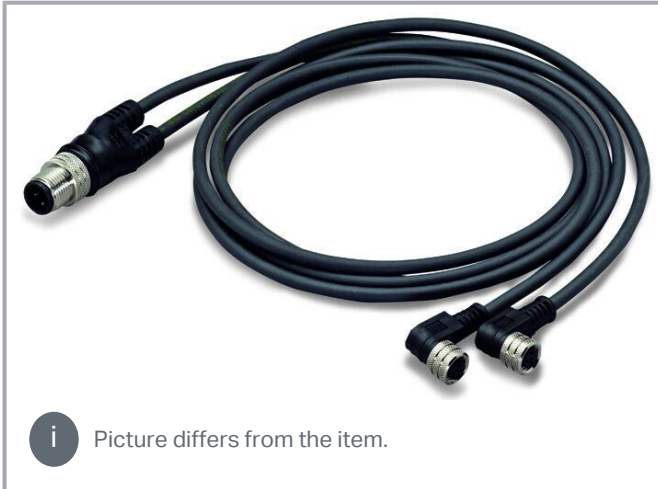


Data sheet | Item number: 756-5514/040-020

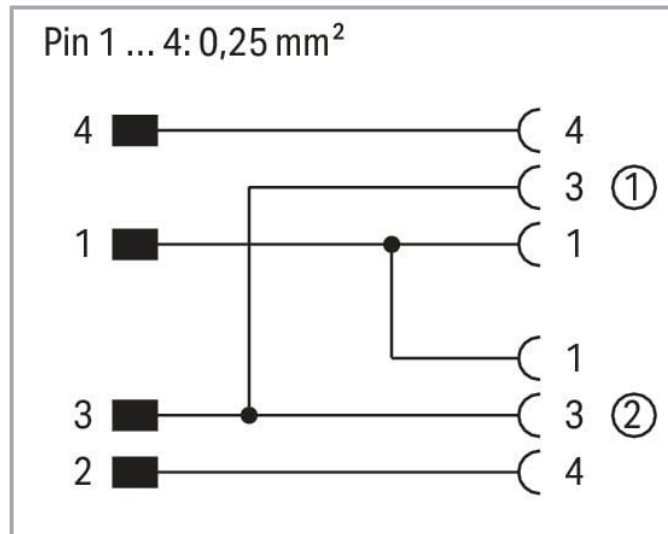
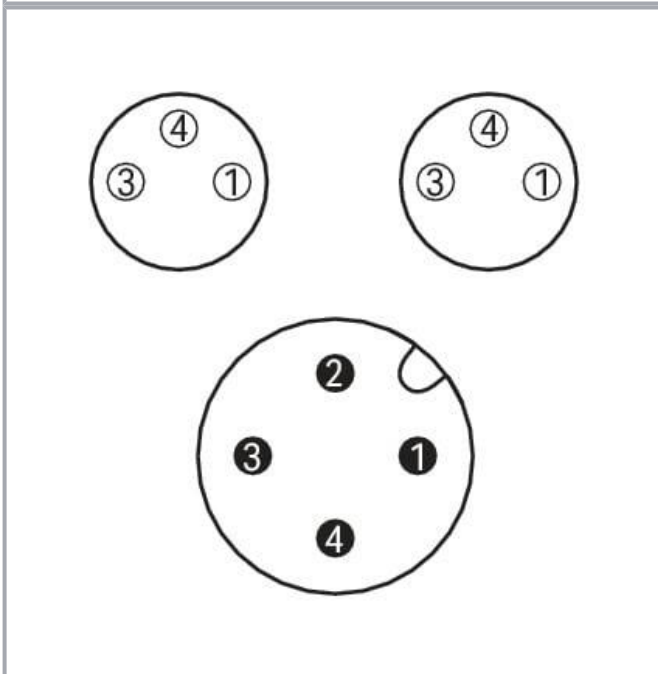
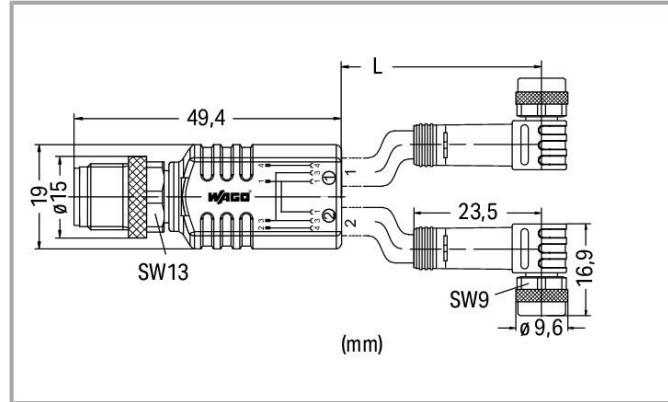
Sensor/Actuator cable; 2xM8 socket; angled; M12A plug; straight; 4-pole;
Length: 2 m



www.wago.com/756-5514/040-020



 Picture differs from the item.



Item description

Short description:

- PUR, halogen-free

Subject to changes. Please also observe the further product documentation!

WAGO GmbH & Co. KG
Hansastr. 27
32423 Minden
Phone: +49571 887-0 | Fax: +49571 887-169
Email: info.de@wago.com | Web: www.wago.com

Do you have any questions about our products?
We are always happy to take your call at +49 (571) 887-44222.



- Suitable for drag chains
- High resistance to microbes, hydrolysis, oil, chemicals and UV radiation
- High chemical resistance
- Cable used: UL listed

Data

Technical data

General

Operating voltage	60 VAC/DC
Operating current	4 A
Rated surge voltage	1.5 kV
Contact resistance	10 mΩ
Conductor resistance	≤ 60 Ω/km
Pollution degree	3 per VDE 0110
Protection type	IP67
Ambient (operating) temperature (static)	-50 ... +90 °C
Ambient (operating) temperature (dynamic)	-25 ... +90 °C

Suitable for drag chains

Bending radius	10 x cable diameter (min.)
Bending cycles	2 Mio.
Acceleration (min.)	5
Travel speed (max.)	3.33
Travel path (horizontal) max.	5
Travel path (vertical) max.	2
Torsional capacity	180

Cable

Cable length	2 m
Type code	LiF9YH-11YH or LiF9YC11YFHF
Conductor configuration	Bare copper wire, fine-stranded (42 x 0.1 mm)
Conductor insulation	PP9Y (halogen-free)
Sheath material	Polyurethane (PUR), halogen-free per DIN VDE 0472 Part 815, flame resistant per IEC 332-2, self-extinguishing
Sheathed cable color	black
Sheathed cable diameter	3.9 ... 4.3 mm

Subject to changes. Please also observe the further product documentation!

WAGO GmbH & Co. KG
 Hansastr. 27
 32423 Minden
 Phone: +49571 887-0 | Fax: +49571 887-169
 Email: info.de@wago.com | Web: www.wago.com

Do you have any questions about our products?
 We are always happy to take your call at +49 (571) 887-44222.



Connector

Connection type	M8 socket; M8 socket - M12 plug
Cable connection direction to mating direction	90 °
Cable connection direction to mating direction (2)	0 °
Connector interface coding (cable/adaptor) 2 1	A-coded
Housing material	Polyurethane (PUR)
Contact material	CuSn
Tightening torque	0.6 ... 1 Nm

Commercial data

eCl@ss 10.0	27-06-03-11
eCl@ss 9.0	27-06-03-11
ETIM 8.0	EC001855
ETIM 7.0	EC001855
PU (SPU)	10 (1) pcs
Packaging type	Box
Country of origin	DE
GTIN	4044918994842
Customs tariff number	85444290900

Environmental Product Compliance

CAS-No.	7439-92-1
REACH Candidate List Substance	Lead
RoHS Compliance Status	Compliant,With Exemption
RoHS Exemption	6(c)
SCIP notification number (Austria)	580a605d-152a-43ac-8ec1-ff0ee353ab83
SCIP notification number (Belgium)	4c046448-68a0-4e16-9c61-f14385792b89
SCIP notification number (Bulgaria)	cae9f806-2b78-483a-8ac8-ac4022f4aa0d
SCIP notification number (Czech Republic)	5c4eef24-3cf8-4b9a-b996-33f07aa8a4ab
SCIP notification number (Denmark)	fa7f8680-57b7-41fb-9e2b-633df792e958
SCIP notification number (Finland)	5bf14079-0220-493f-bed6-98e4246bb298
SCIP notification number (France)	2c3a66b8-761b-46e8-bea9-1d6ab931b34b
SCIP notification number (Germany)	80092a24-4ad4-48ca-922c-60264b0a1847
SCIP notification number (Hungary)	52d309a0-263a-4d98-b5d5-a406cc43106e
SCIP notification number (Italy)	264ad3fb-896a-41cc-a5b4-2e8ca5e93ef0
SCIP notification number (Netherlands)	18fb6b6c-a88c-437a-bf3d-f234fd46cc70

Subject to changes. Please also observe the further product documentation!

WAGO GmbH & Co. KG
Hansastr. 27
32423 Minden
Phone: +49571 887-0 | Fax: +49571 887-169
Email: info.de@wago.com | Web: www.wago.com

Do you have any questions about our products?
We are always happy to take your call at +49 (571) 887-44222.



SCIP notification number (Poland)	33d6d0f8-ac87-4a99-8b2a-3f59d4ed8da6
SCIP notification number (Romania)	11149417-fd13-4b4d-8cb3-6fb118c13e66
SCIP notification number (Sweden)	2de5868d-1c74-4410-b497-6e41fd9372c5

Downloads

Documentation

Bid Text

756-5514/040-020 X81 - Datei	2019 Feb 19	xml 3.2 kB	Download
756-5514/040-020 doc - Datei	2017 Sep 20	doc 27.1 kB	Download

System Description

IP67 Cables and Pluggable Connectors	pdf 161.6 kB	Download
--------------------------------------	-----------------	----------

CAD/CAE-Data

CAE data

WSCAD Universe 756-5514/040-020	URL	Download
WSCAD Universe 756-5514/040-020	URL	Download

Environmental Product Compliance

Compliance Search

Environmental Product Compliance 756-5514/040-020 Sensor/Actuator cable; 2xM8 socket; angled; M12A plug; straight; 4-pole; Length: 2 m	URL	Download
-------------------------------------------------------------------------------------------------------------------------------------------	-----	----------

Installation Notes

Subject to changes. Please also observe the further product documentation!

WAGO GmbH & Co. KG
 Hansastr. 27
 32423 Minden
 Phone: +49571 887-0 | Fax: +49571 887-169
 Email: info.de@wago.com | Web: www.wago.com

Do you have any questions about our products?
 We are always happy to take your call at +49 (571) 887-44222.