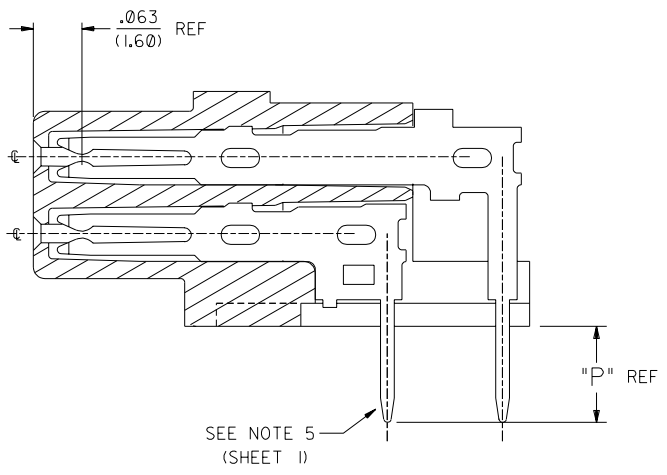


- NOTES:
- REFER TO PS-79058 PRODUCT SPEC. FOR ELECTRICAL, MECHANICAL AND ENVIRONMENTAL SPECIFICATIONS.
  - MATERIAL:  
RECEPTACLE HOUSING: GLASS FILLED LCP (LIQUID CRYSTAL POLYMER); COLOR - BLACK; UL 94V-0  
TERMINALS: PHOSPHOR BRONZE
  - PACKAGING:  
PARTS PACKAGED IN TUBES PER PK-70873-0423
  - SEE SHEET 5 FOR CHARTED DIMENSIONS.
  - FOR FIXED TAIL/PCB PATTERN AT LAST CIRCUIT POSITIONS REFER TO SECTION A-A ON SHEETS 2 AND 3, AND PCB LAYOUT SHOWN ON SHEETS 4 AND 5.
- PLATING FINISH  
SELECTIVE GOLD: THICKNESS= 30 MICROINCHES/(0.76 MICROMETERS) MINIMUM.  
SELECTIVE TIN: THICKNESS= 75 MICROINCHES/(1.90 MICROMETERS) MINIMUM.  
NICKEL UNDERPLATE OVERALL.

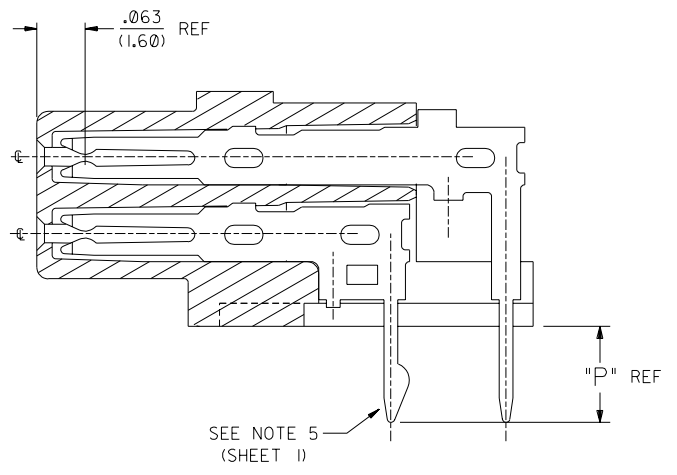
NOTE FOR LEAD FREE CONVERSION:  
THE PRIMARY SHIPPING CARTON WILL BE LABELED "COMPLIANT TO ROHS DIRECTIVE 2002/95/EC AND ELV ANNEX II OF DIRECTIVE 2000/53/EC". CARTONS WITHOUT THIS LABEL MAY CONTAIN PRODUCT WITH LEAD.

E		ADDED -3* SERIES EC #UDT2000-0115 J. LONG 99/07/30		DIMENSIONS SHOWN (METRIC) INCH UNLESS OTHERWISE SPECIFIED TOLERANCES: ANGULAR ± 1/2°		REVISE ONLY ON CAD SYSTEM	
G	OBSOLETE PART # ECN# UCP2005-0311 BSMART 04/08/09	DI	ADDED DATE CODE PER EC # U80357 J. LONG 97/07/24	3 PLACE ± .005 ---	2 PLACE ± --- ± 0.13	TITLE SALES ASSEMBLY SCSI RECEPTACLE	
F	LEADFREE ECN# UCP2004-1925 DMORGAN 04/04/06	D	ADDED NEW TAIL PATTERN PER ECN # U60600 95/11/14 J. LONG	1 PLACE --- ± ---	MOLEX INCORPORATED SHEET NO. DATE U.S.A. 1 of 5 95/03/02		
LTR.	REVISIONS	LTR.	REVISIONS	DRAWING INFORMATION		PART NO. DRWG. NO.	
				DRAWN BY J. Long		SEE SHEET 5 SDA-71061-****	
				APPROV. BY DJB		FILE NAME 57106101.DGN	
				SCALE 4 1		THIS DRAWING CONTAINS INFORMATION THAT IS PROPRIETARY TO MOLEX INC. AND SHOULD NOT BE USED WITHOUT WRITTEN PERMISSION.	
						DIV. SIZE dc C	

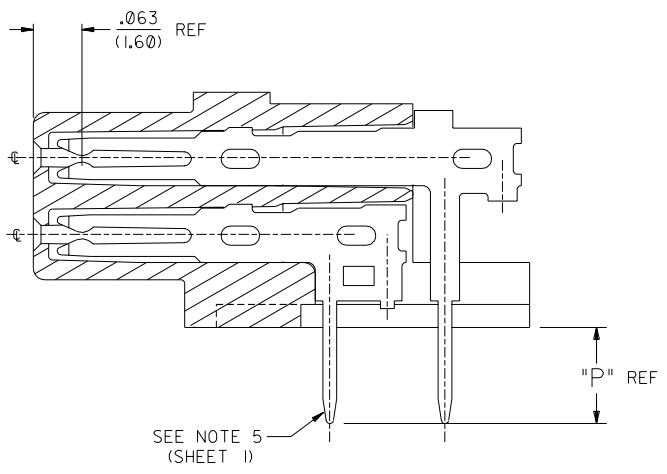
5	G
4	G
3	G
2	G
1	G
MFG. SH. REV.	



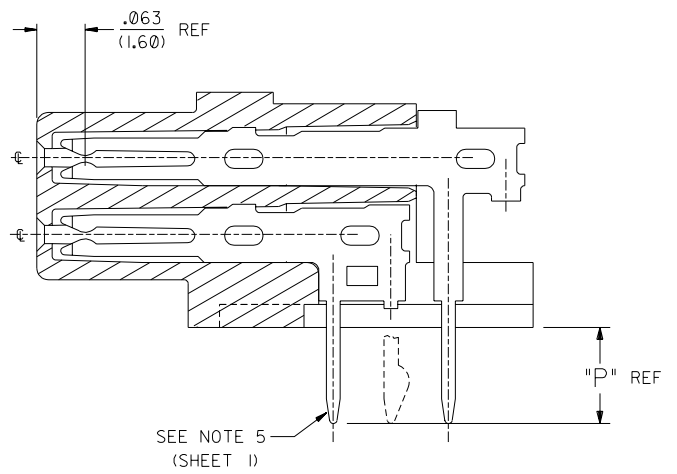
FOR 50 CIRCUIT ASSEMBLIES  
A-71061-0\*\*\*



FOR 50 CIRCUIT ASSEMBLIES  
A-71061-1\*\*\*



FOR 68 CIRCUIT ASSEMBLIES  
SECTION A-A  
A-71061-0\*\*\*



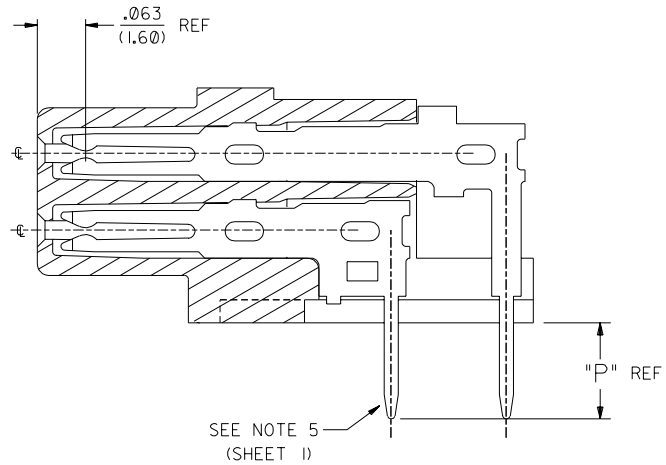
FOR 68 CIRCUIT ASSEMBLIES  
SECTION A-A  
FOR RETENTION TAIL OPTION  
A-71061-1\*\*\*

\*\* TYPE I TAIL OPTIONS \*\*

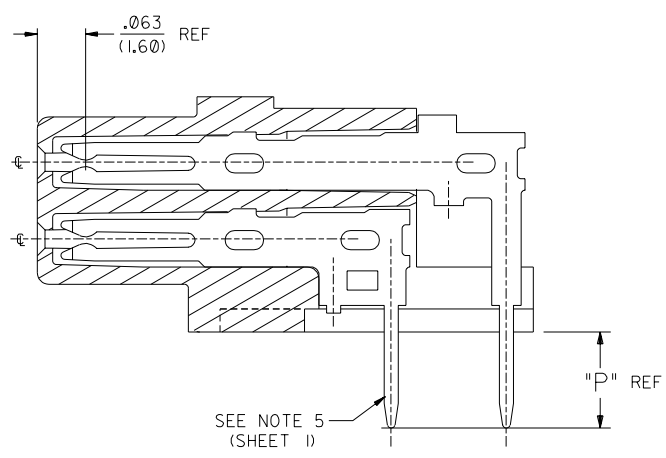
		D	SEE SHEET 1
G	SEE SHEET 1	B	SEE SHEET 1
E	SEE SHEET 1	A	SEE SHEET 1
LTR.	REVISIONS	LTR.	REVISIONS

DIMENSIONS SHOWN (METRIC) INCH	
UNLESS OTHERWISE SPECIFIED TOLERANCES: ANGULAR $\pm 1/2^\circ$	
3 PLACE	$\pm .005$
2 PLACE	$\pm .01$
1 PLACE	$\pm .1$
DRAFT WHERE APPLICABLE MUST REMAIN WITHIN DIMENSIONS	
DRG. BY: J. Long	CHK'D. BY: J. Long
APP'D. BY:	SCALE: 4:1

MFG. SH. REV.		REVISE ONLY ON CAD SYSTEM	
TITLE: SALES ASSEMBLY SCSI RECEPTACLE			
FROM: MOLEX INCORPORATED, LISLE, ILL. 60532 U.S.A.	SHEET NO. 2	DATE 95/03/03	
PART NO. SEE SHEET 5	DRWG. NO. SDA-71061-****	FILE NAME: S7106102.DGN	THIS DRAWING CONTAINS INFORMATION THAT IS PROPRIETARY TO MOLEX INC. AND SHOULD NOT BE USED WITHOUT WRITTEN PERMISSION.
DC	DC	DC	DC



FOR TYPE I 50 CIRCUIT ASSEMBLIES  
A-71061-2\*\*\*



FOR TYPE II 68 CIRCUIT ASSEMBLIES  
SECTION A-A  
A-71061-2\*\*\*

MFG. SH. REV.

		G	SEE SHEET 1
		E	SEE SHEET 1
		D	SEE SHEET 1
LTR.	REVISIONS	LTR.	REVISIONS

DIMENSIONS SHOWN (METRIC) INCH  
UNLESS OTHERWISE SPECIFIED  
TOLERANCES: ANGULAR  $\pm 1/2^\circ$

	INCH	METRIC
3 PLACE	$\pm .005$	---
2 PLACE	---	$\pm 0.13$
1 PLACE	---	$\pm$ ---

DRAFT WHERE APPLICABLE MUST  
REMAIN WITHIN DIMENSIONS

DRG. BY: *J. Long* CHK'D. BY: *J. Long*  
APP'D. BY: SCALE: 4 : 1

REVISE ONLY ON CAD SYSTEM

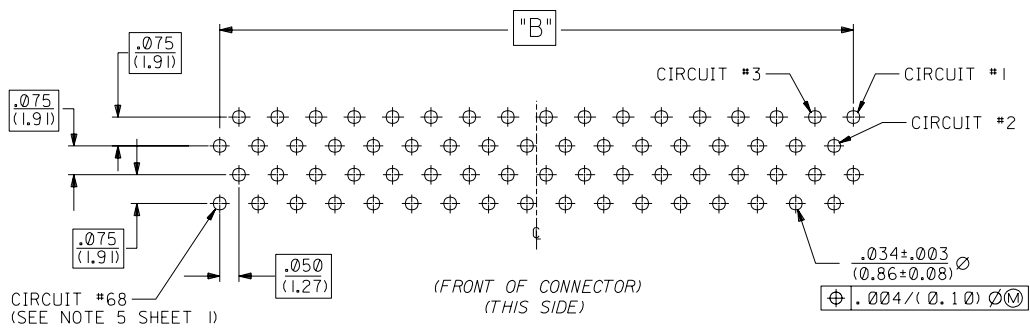
TITLE: SALES ASSEMBLY SCSI RECEPTACLE

MOLEX INCORPORATED  
LISLE, ILL. 60532 U.S.A.

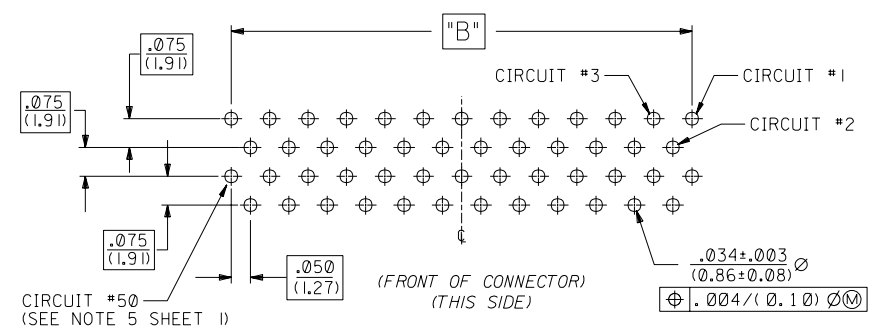
PART NO. SEE SHEET 5  
DRWG. NO. SDA-71061-\*\*\*\*

FILE NAME: 57106103.DGN  
THIS DRAWING CONTAINS INFORMATION THAT IS PROPRIETARY TO MOLEX INC. AND SHOULD NOT BE USED WITHOUT WRITTEN PERMISSION.

SHEET NO. 3 DATE 95/11/14  
DIV. DC SIZE C

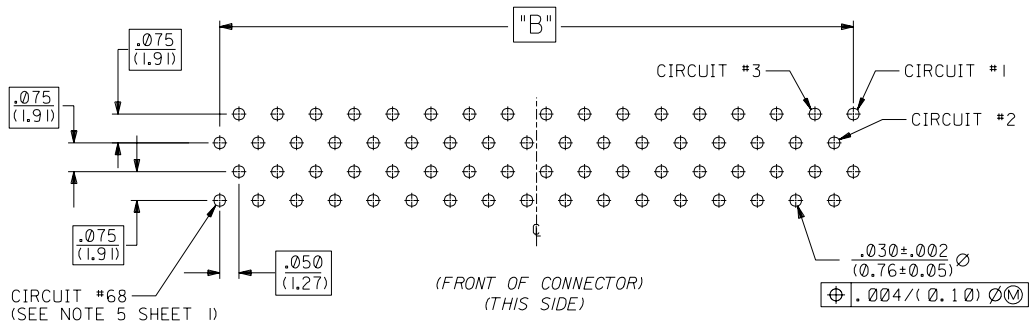


TYPE 168 CIRCUIT P.C. BOARD LAYOUT  
CONNECTOR SIDE

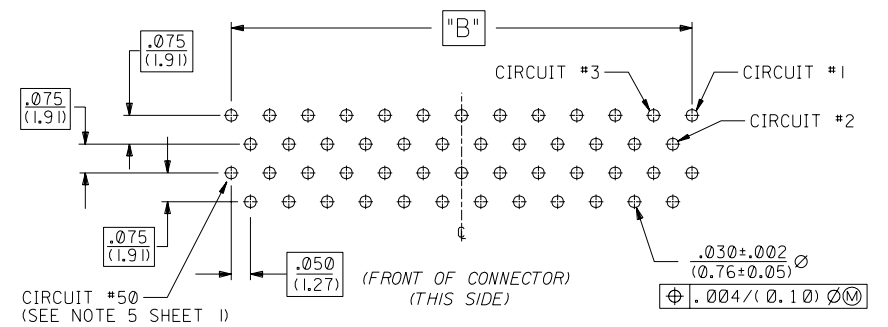


TYPE 150 CIRCUIT P.C. BOARD LAYOUT  
CONNECTOR SIDE

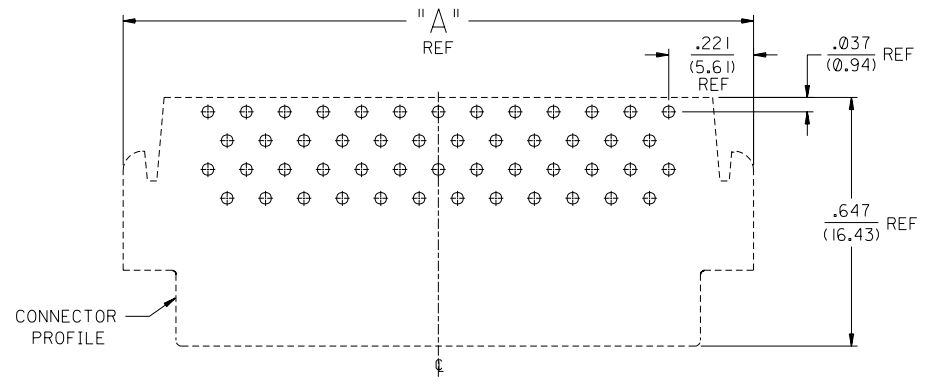
TYPE 1 TAIL P.C. BOARD LAYOUT FOR A-71061-0\*\*\*



TYPE 168 CIRCUIT P.C. BOARD LAYOUT  
CONNECTOR SIDE



TYPE 150 CIRCUIT P.C. BOARD LAYOUT  
CONNECTOR SIDE

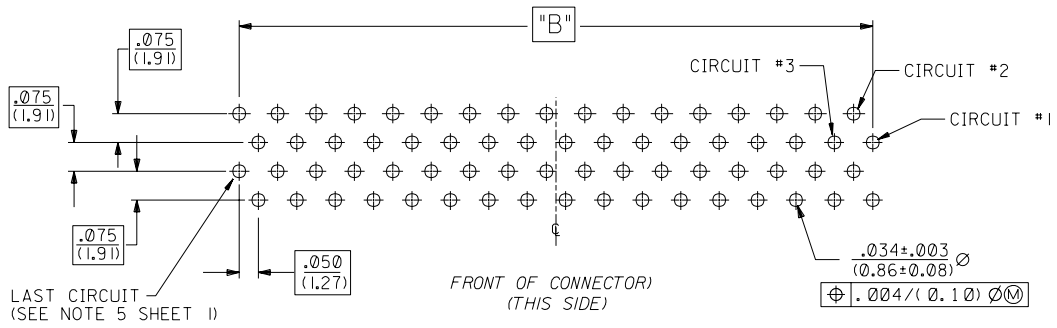


RECOMMENDED CONNECTOR LAYOUT  
(50 CKT SHOWN FOR REFERENCE)

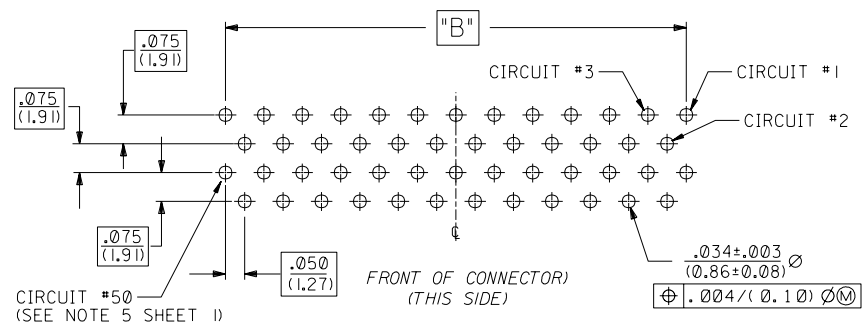
TYPE 1 RETENTION TAIL P.C. BOARD LAYOUT A-71061-1\*\*\*

LTR. REVISIONS		LTR. REVISIONS		D SEE SHEET 1		G SEE SHEET 1		E SEE SHEET 1		D SEE SHEET 1		B SEE SHEET 1		A SEE SHEET 1		MFG, SH, REV.	
																DIMENSIONS SHOWN (METRIC) INCH UNLESS OTHERWISE SPECIFIED TOLERANCES: ANGULAR ± 1/2° INCH METRIC 3 PLACE ± .005 --- 2 PLACE ± --- ± 0.13 1 PLACE --- ± --- DRAFT WHERE APPLICABLE MUST REMAIN WITHIN DIMENSIONS DRWG. BY: J. Long CHK'D BY: J. Long APP'D. BY: SCALE: 4:1 FILE NAME: 57106104.DGN THIS DRAWING CONTAINS INFORMATION THAT IS PROPRIETARY TO MOLEX INC. AND SHOULD NOT BE USED WITHOUT WRITTEN PERMISSION.	
												TITLE: SALES ASSEMBLY SCSI RECEPTACLE PART NO.: MOLEX INCORPORATED L15LEJLL 60532 SHEET NO.: 4 DATE: 95/03/03 SEE SHEET 5 SDA-71061-***					
												DIV. DC SIZE C					

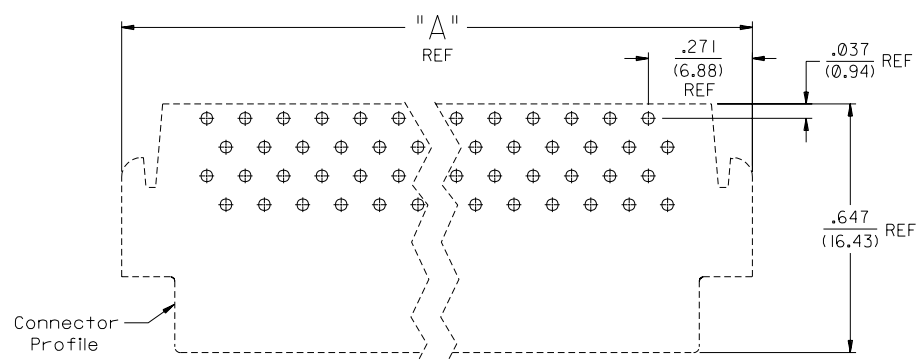
13		12		11		10		9		8		7		6		71061		4		3		2		1	
A-71061-0*** ITEM NO.		A-71061-1*** ITEM NO.		A-71061-2*** ITEM NO.				CKT. SIZE		DIM. A		DIM. B		DIM. C		DIM. P		REC'D PCB							
71061-0001		71061-0003		71061-2003				50		1.642 41.71		1.200 30.48		1.366 34.70		.125 3.18		.062 1.57							
71061-0003		71061-1003		71061-2003				68		2.092 53.14		1.650 41.91		1.816 46.13		.125 3.18		.062 1.57							



TYPE 1168 CIRCUIT P.C. BOARD LAYOUT  
CONNECTOR SIDE



TYPE 150 CIRCUIT P.C. BOARD LAYOUT  
CONNECTOR SIDE



Recommended Connector Layout  
(TYPE 1168 CIRCUIT SHOWN FOR REFERENCE)

TYPE 11 TAIL P.C. BOARD LAYOUT FOR 68 CKT A-71061-2\*\*\*

G		SEE SHEET 1		D		SEE SHEET 1		DIMENSIONS SHOWN (METRIC) INCH		UNLESS OTHERWISE SPECIFIED TOLERANCES: ANGULAR $\pm 1/2^\circ$		REVISE ONLY ON CAD SYSTEM																				
F		SEE SHEET 1		E		SEE SHEET 1		<table border="1"> <tr> <th>5 PLACE</th> <th>±</th> <th>.005</th> <th>---</th> <th>---</th> </tr> <tr> <th>2 PLACE</th> <th>±</th> <th>---</th> <th>± 0.13</th> <th>---</th> </tr> <tr> <th>1 PLACE</th> <th>---</th> <th>---</th> <th>±</th> <th>---</th> </tr> </table>		5 PLACE	±	.005	---	---	2 PLACE	±	---	± 0.13	---	1 PLACE	---	---	±	---	<table border="1"> <tr> <td>MOLEX INCORPORATED</td> <td>SHEET NO. 5</td> <td>DATE 95/11/14</td> </tr> <tr> <td>L1SLE,ILL. 60532</td> <td>U.S.A.</td> <td></td> </tr> </table>		MOLEX INCORPORATED	SHEET NO. 5	DATE 95/11/14	L1SLE,ILL. 60532	U.S.A.	
5 PLACE	±	.005	---	---																												
2 PLACE	±	---	± 0.13	---																												
1 PLACE	---	---	±	---																												
MOLEX INCORPORATED	SHEET NO. 5	DATE 95/11/14																														
L1SLE,ILL. 60532	U.S.A.																															
LTR. REVISIONS		LTR. REVISIONS		DRAFT WHERE APPLICABLE MUST REMAIN WITHIN DIMENSIONS		PART NO. SEE CHART		DRWG. NO. SDA-71061-****		FILE NAME 57106105.DGN		THIS DRAWING CONTAINS INFORMATION THAT IS PROPRIETARY TO MOLEX INC. AND SHOULD NOT BE USED WITHOUT WRITTEN PERMISSION.																				
BY J. Long		BY J. Long		SCALE 4:1		DIV. DC		SIZE C																								