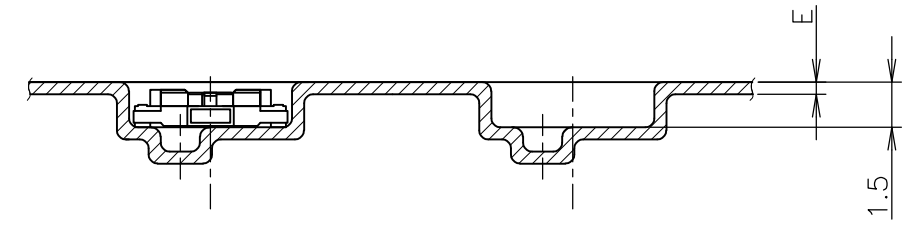
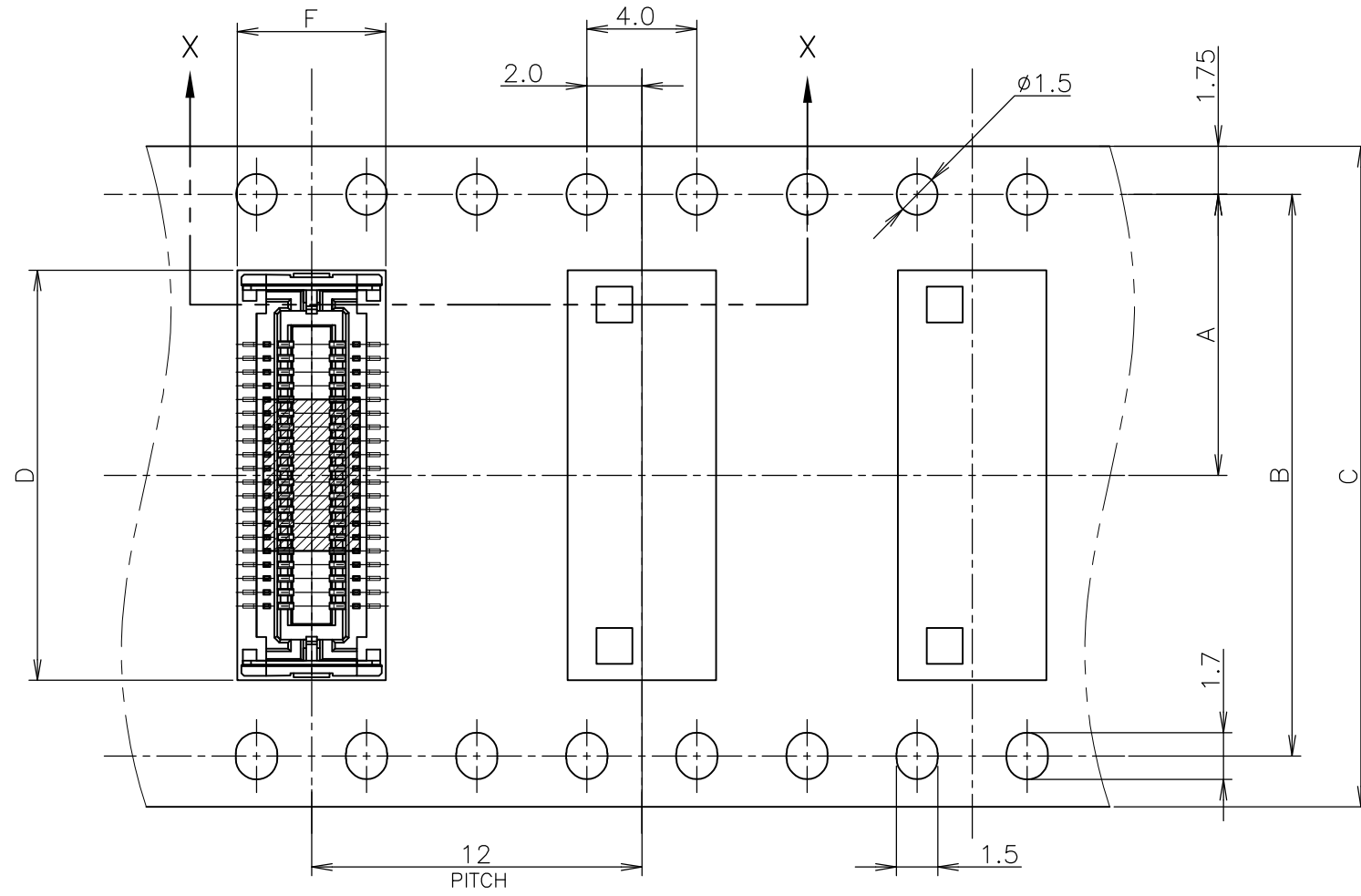


THIS DRAWING IS UNPUBLISHED. RELEASED FOR PUBLICATION JUN, 1996.

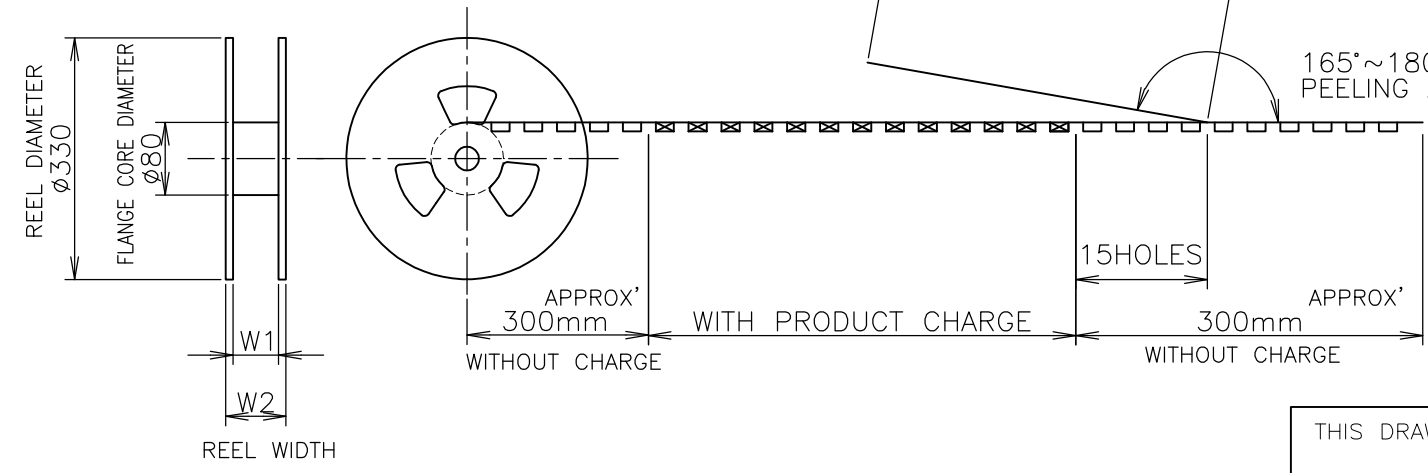
© COPYRIGHT 1996 BY TYCO ELECTRONICS CORPORATION. ALL RIGHTS RESERVED.

LOC	DIST	REVISIONS		
J		P	LTR	DESCRIPTION
		C	REVISED	ECR-08-015052
			DATE	DWN
			13JUN08	T.T
				APVD
				T.F



TOP OF REEL →

WEEDING THE COVER TAPE AROUND THE OUTER PERIPHERY IN A TURN.  
165°~180° PEELING ANGLE.



48.7	45.5	5.4	0.4	24.9	44	40.4	20.2	1500	80	8-5353159-5
48.7	45.5	5.4	0.4	24.9	44	40.4	20.2	1500	80	8-5353159-0
48.7	45.5	5.4	0.4	22.4	44	40.4	20.2	1500	70	7-5353159-5
48.7	45.5	5.4	0.4	22.4	44	40.4	20.2	1500	70	7-5353159-0
37.5	33.5	5.34	0.4	19.85	32	28.4	14.2	1500	60	6-5353159-5
37.5	33.5	5.34	0.4	19.85	32	28.4	14.2	1500	60	6-5353159-0
29.5	25.5	5.34	0.4	17.35	24	---	11.5	1500	50	5-5353159-5

INSTRUCTION SHEET 411-5781

THIS DRAWING IS A CONTROLLED DOCUMENT.

DIMENSIONS: 単位: 耗 mm

TOLERANCES UNLESS OTHERWISE SPECIFIED: 一般公差

0 PLC	± 0.2
1 PLC	± 0.2
2 PLC	± 0.2
3 PLC	± 0.2
4 PLC	± 0.2
ANGLES	± 3'

MATERIAL 材料

FINISH 仕上

DWN J.ZHU 02NOV04  
CHK S.YAO 02NOV04  
APVD I.ENOMOTO 02NOV04

Tyco Electronics Tyco Electronics Corporation  
Kawasaki, Japan

NAME 名称 ON TAPING EMBOSS  
PRODUCT SPEC 製品規格 108-60048  
APPLICATION SPEC 取付適用規格

SIZE A3 CAGE CODE 00779 DRAWING NO 番号 G-5353159 RESTRICTED TO

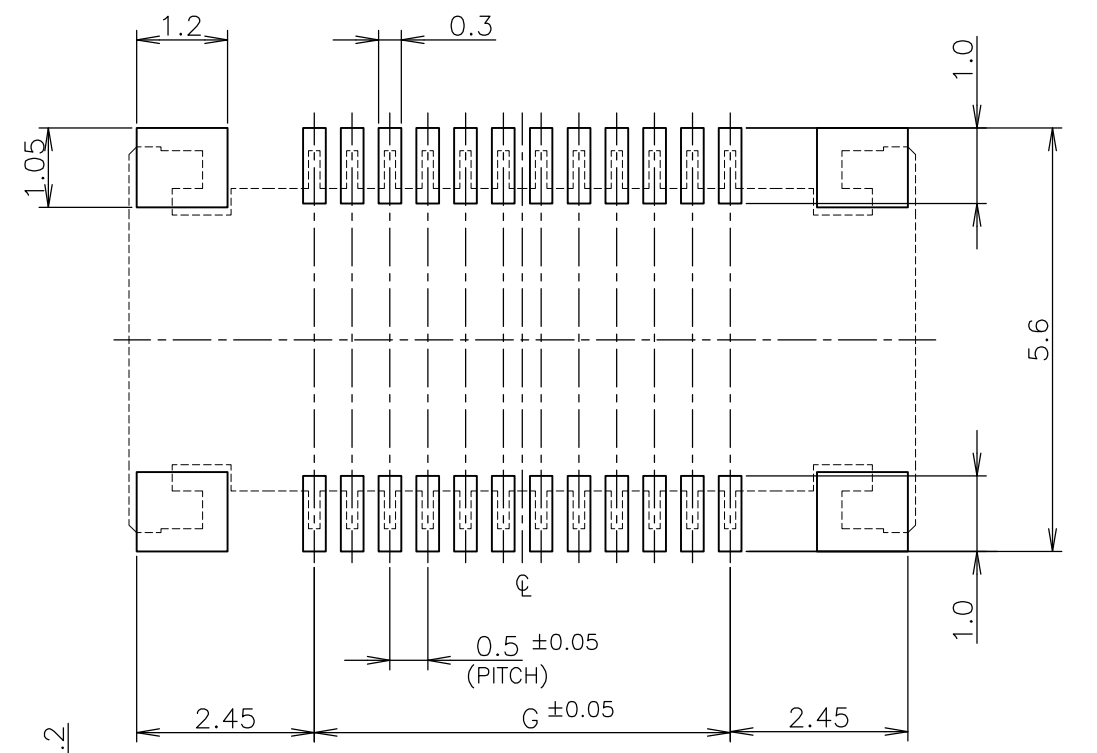
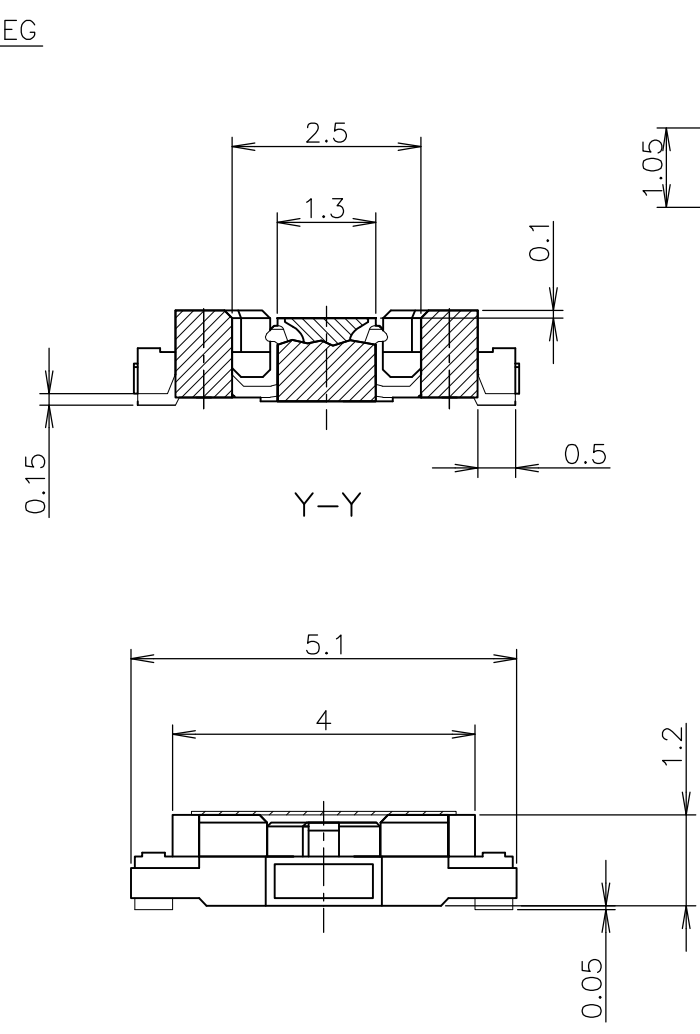
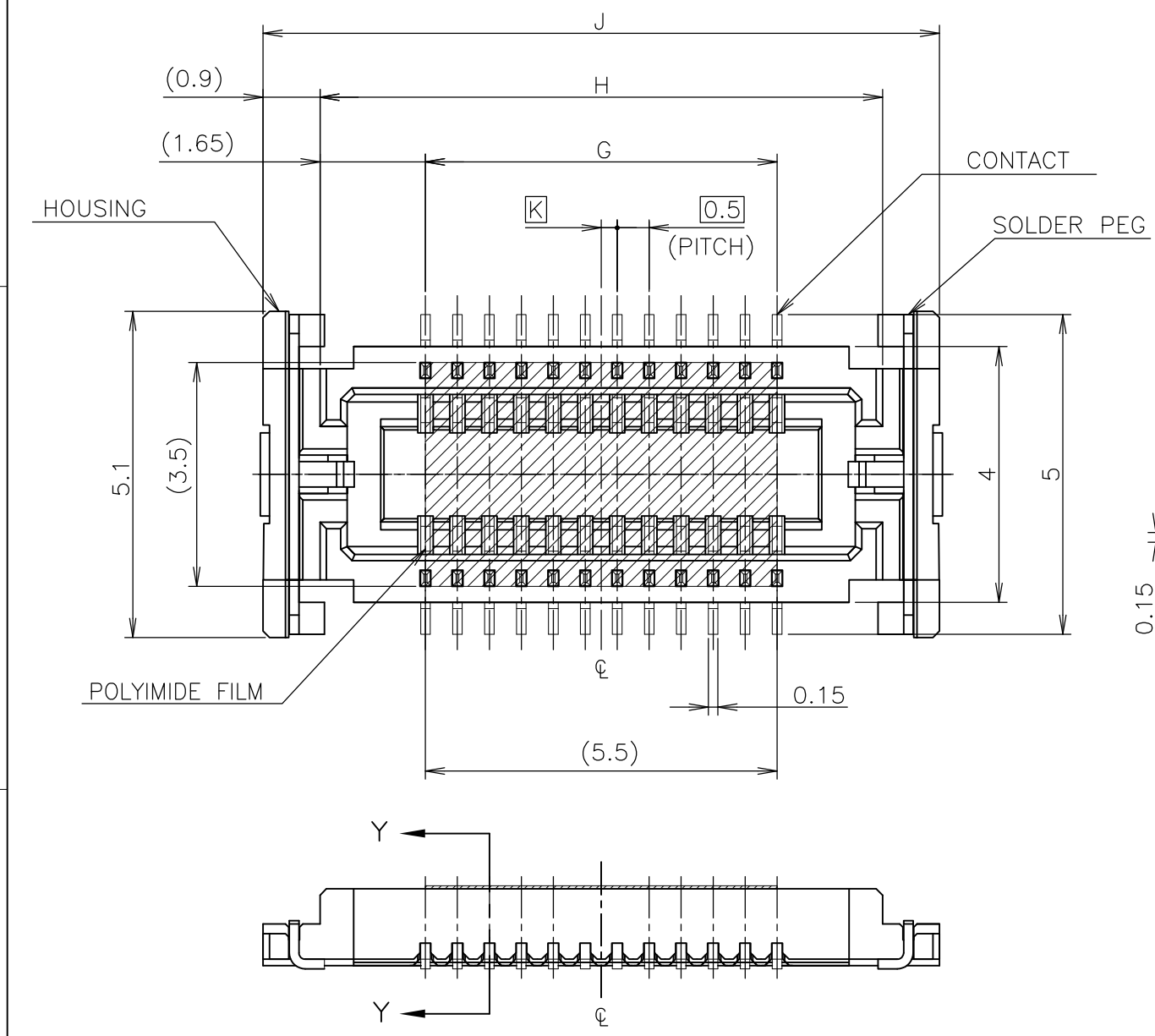
WEIGHT

CUSTOMER DRAWING

SCALE 尺度 4:1 SHEET 1 OF 2 REV C

THIS DRAWING IS UNPUBLISHED. RELEASED FOR PUBLICATION JUN , 1996.  
 © COPYRIGHT 1996 BY TYCO ELECTRONICS CORPORATION. ALL RIGHTS RESERVED.

LOC	DIST	REVISIONS			DATE	DWN	APVD
J		P	LTR	DESCRIPTION			
				SEE SHEET 1	-	-	-



(T=0.6 MIN.)  
P.C. BOARD LAYOUT (REF.)

3	0.25	24.6	22.8	19.5	80	8-5353159-5
	0.25	24.6	22.8	19.5	80	8-5353159-0
3	---	22.1	20.3	17	70	7-5353159-5
	---	22.1	20.3	17	70	7-5353159-0
3	0.25	19.6	17.8	14.5	60	6-5353159-5
	0.25	19.6	17.8	14.5	60	6-5353159-0
	---	17.1	15.3	12.0	50	5-5353159-5

- 1 MATING COUNTER PART NUMBER: 5353163
- 3 MATERIAL  
HOUSING: HIGH HEAT-RESISTED  
CONTACT: COPPER ALLOY (t=0.15), Au-PLT  
SOLDER PEG: COPPER ALLOY (t=0.15), TIN-PLT  
3 CONTACT : CONTACT POINT Au PLT. 0.00076 MIN.

THIS DRAWING IS A CONTROLLED DOCUMENT.	
DIMENSIONS: 単位: 耗 mm	TOLERANCES UNLESS OTHERWISE SPECIFIED: 一般公差
	0 PLC ± 0.2 1 PLC ± 0.2 2 PLC ± 0.2 3 PLC ± 0.2 4 PLC ± 0.2 ANGLES ± 3'
MATERIAL 材料	FINISH 仕上

INSTRUCTION SHEET 411-5781		DWN		Tyco Electronics Corporation Kawasaki, Japan	
CHK		APVD		NAME 名称	
PRODUCT SPEC 製品規格		APPLICATION SPEC 取付適用規格		ON TAPING EMBOSS 0.5mm PITCH FS CONN. RECEPTACLE ASSEMBLY WITH FILM	
SIZE	CAGE CODE	DRAWING NO 番号	RESTRICTED TO		
A3	00779	G-5353159			
CUSTOMER DRAWING		SCALE 尺度 10:1	SHEET 2 OF 2	REV C	