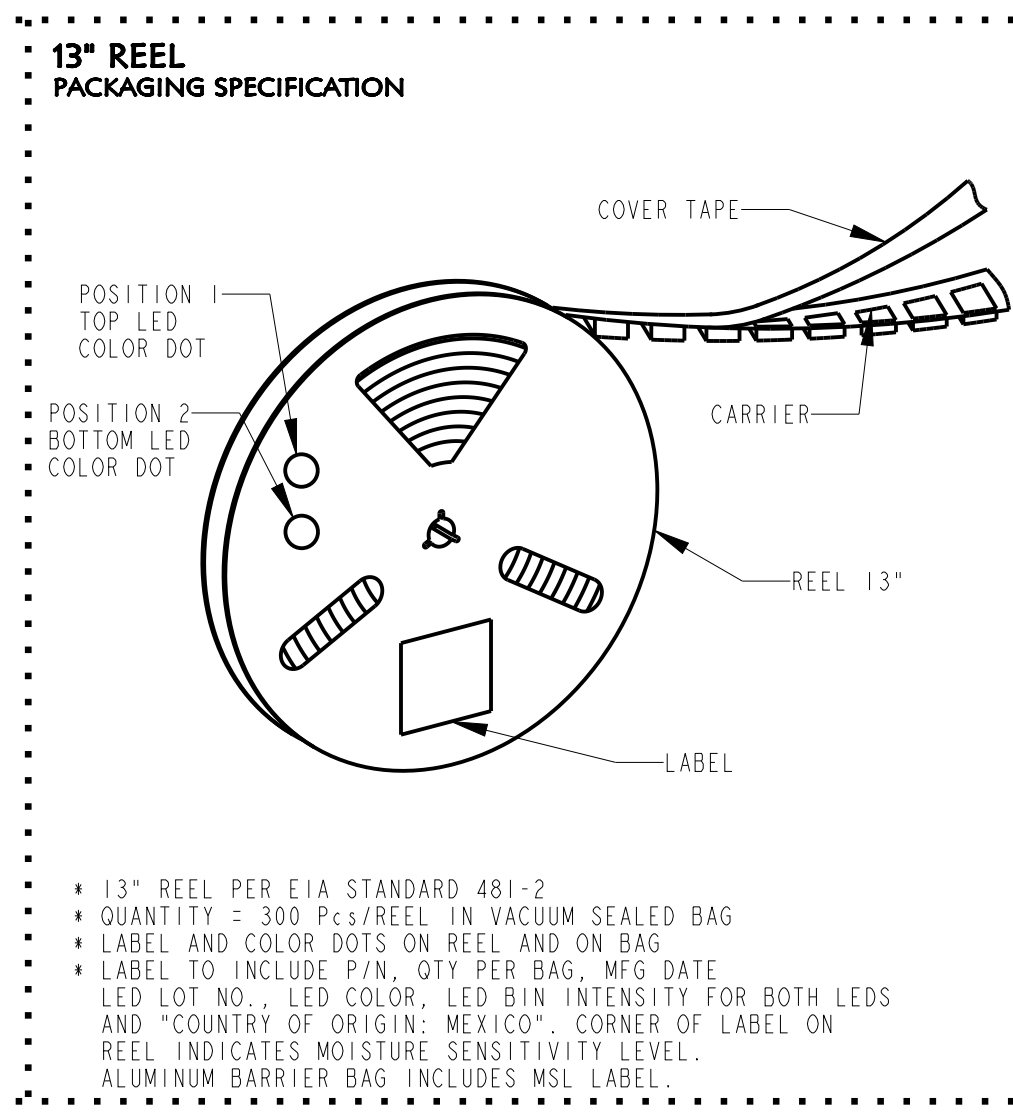
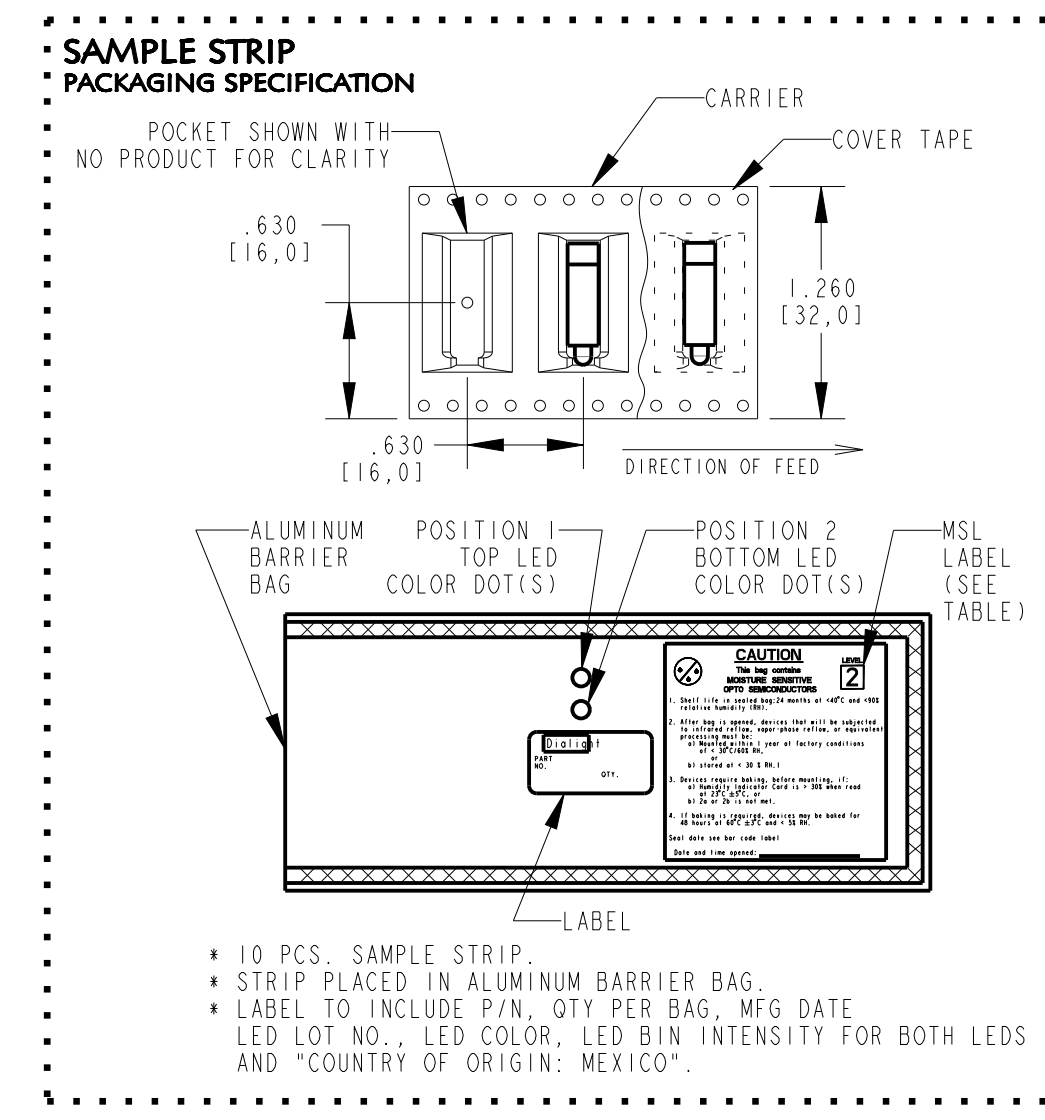
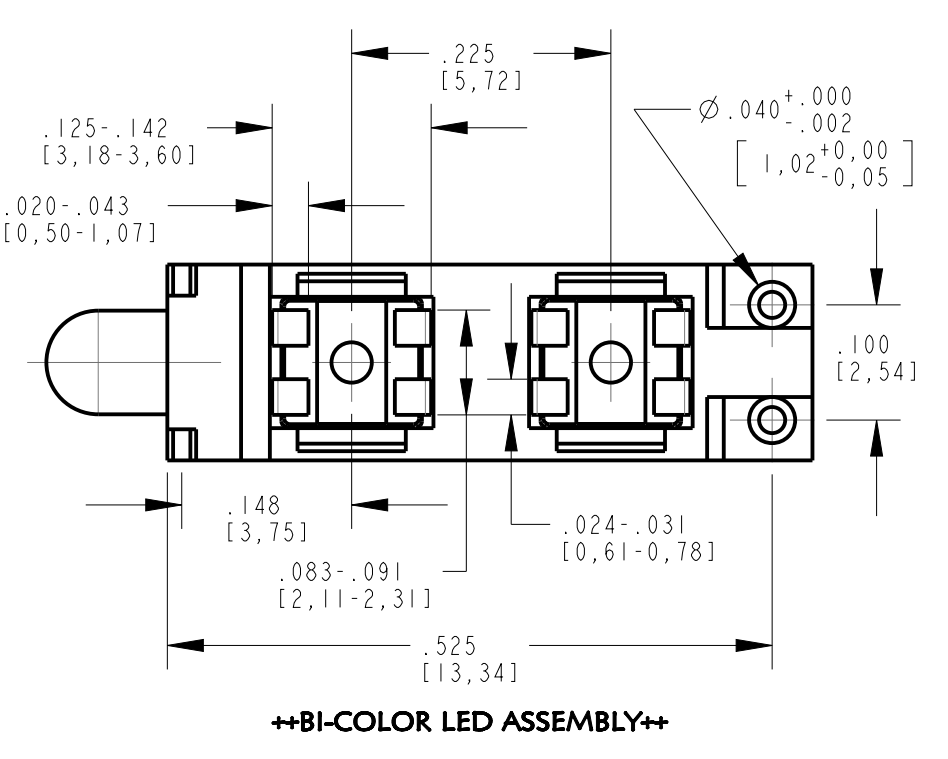
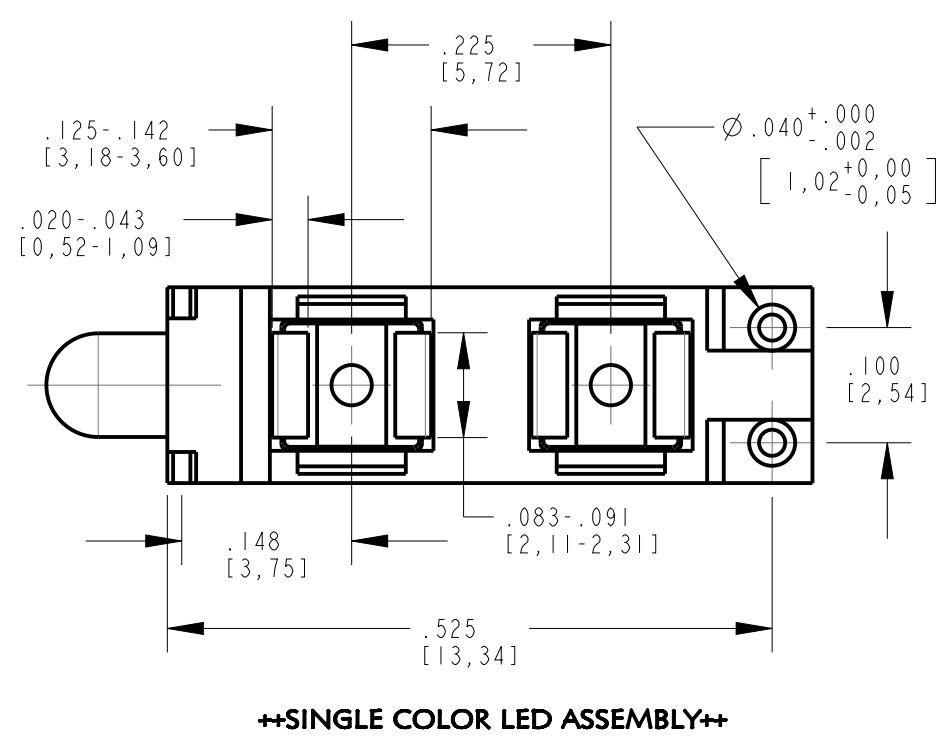
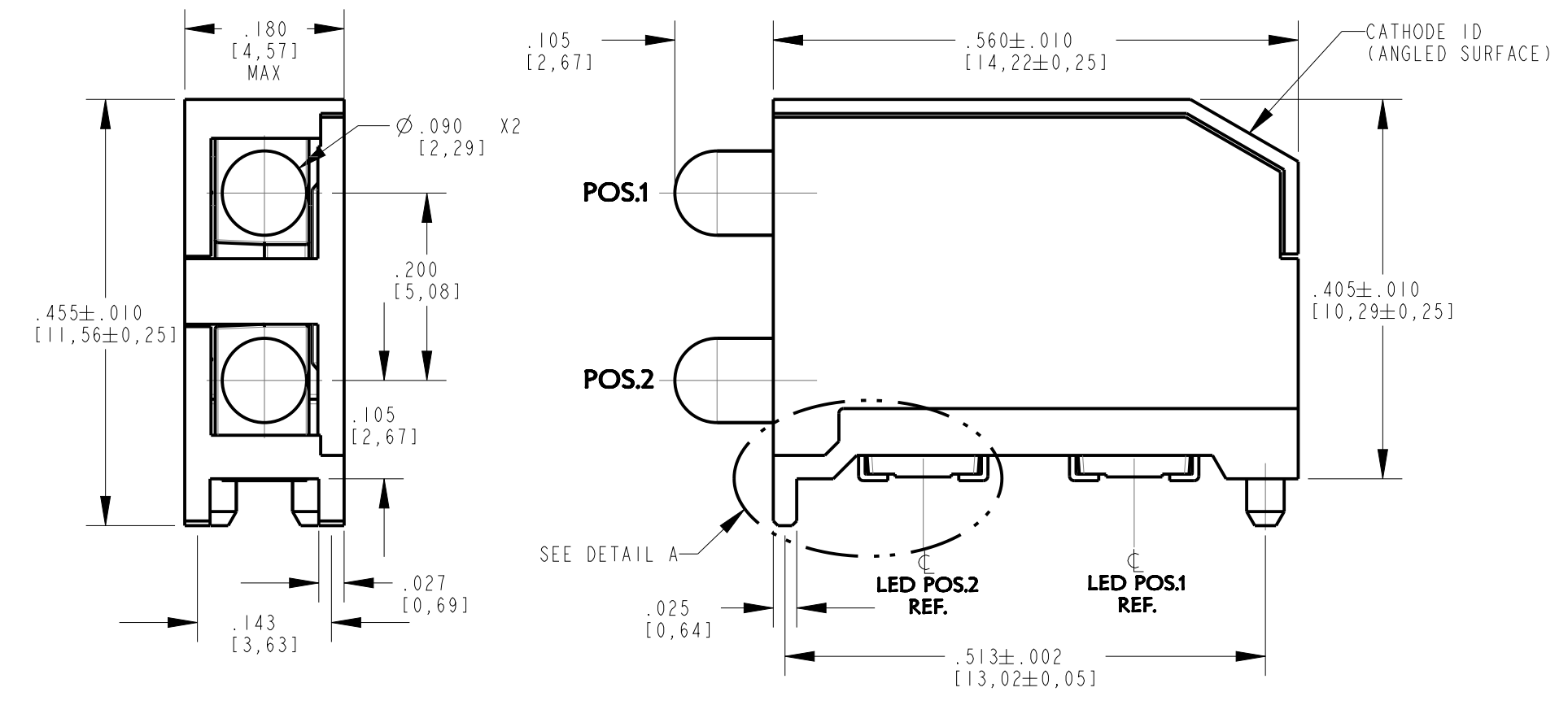
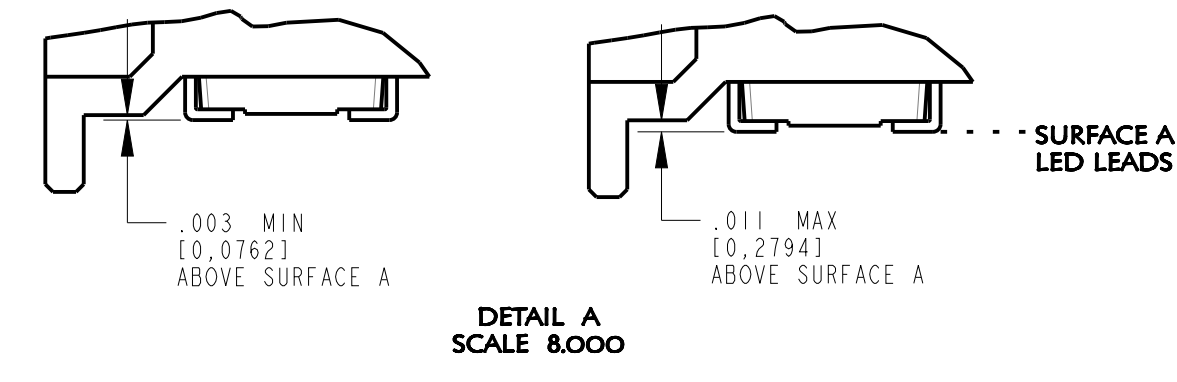


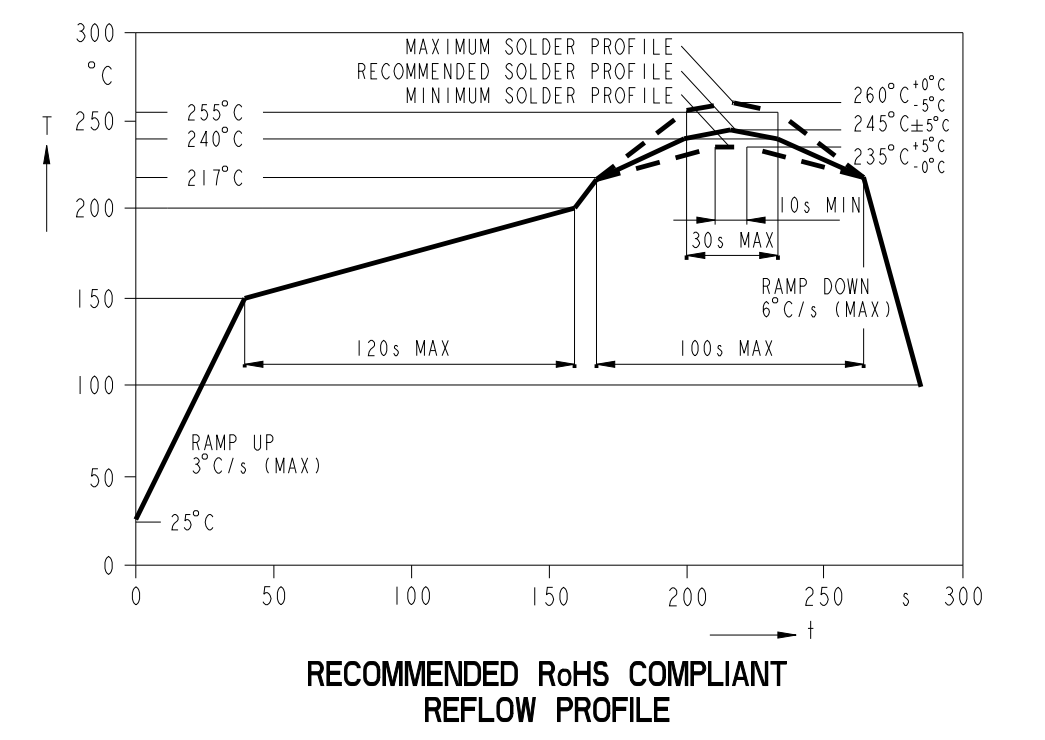
REV	ECN NO	REVISIONS	DRN	CKD	APP	DATE
A		NEW RELEASE	BP		NO	8-11-17
B		UPDATED NOTE 2, ADDED P/N 592-3126-838F	BP		NO	9-19-17

DIALIGHT PART NUMBER	PACKAGING	POSITION 1	POSITION 2	MSL
592-3030-835F	13" REEL	RED/GREEN	RED/GREEN	2
592-3131-834F	13" REEL	YELLOW/GREEN	YELLOW/GREEN	2
592-3531-832F	13" REEL	RED/GRN/BLUE	YELLOW/GREEN 2a & 2	
592-3126-838F	13" REEL	YELLOW/GREEN	BLUE	2



- 10 PCS. SAMPLE STRIP.
- STRIP PLACED IN ALUMINUM BARRIER BAG.
- LABEL TO INCLUDE P/N, QTY PER BAG, MFG DATE, LED LOT NO., LED COLOR, LED BIN INTENSITY FOR BOTH LEADS AND "COUNTRY OF ORIGIN: MEXICO".

- 13" REEL PER EIA STANDARD 481-2
- QUANTITY = 300 PCS/REEL IN VACUUM SEALED BAG
- LABEL AND COLOR DOTS ON REEL AND ON BAG
- LABEL TO INCLUDE P/N, QTY PER BAG, MFG DATE, LED LOT NO., LED COLOR, LED BIN INTENSITY FOR BOTH LEADS AND "COUNTRY OF ORIGIN: MEXICO". CORNER OF LABEL ON REEL INDICATES MOISTURE SENSITIVITY LEVEL.
- ALUMINUM BARRIER BAG INCLUDES MSL LABEL.



OPERATING CHARACTERISTICS AT 25°C AMBIENT												
#30 & #31 LED COLOR	LUMINOUS INTENSITY @ I _f = 10 mA (mcd)			FORWARD VOLTAGE @ I _f = 2 mA (V)			REVERSE CURRENT (μA) V = 12V		DOMINANT WAVELENGTH (nm)		PEAK WAVELENGTH (nm)	
	MIN	TYP	MAX	TYP	MAX	TYP	MAX	MIN	TYP	MAX	TYP	MAX
RED/GRN	RED	—	1	—	1.8	2.2	0.01	10	624	630	636	643
	GREEN	—	5	—	—	—	—	—	566	570	575	572
YLW/GRN	YELLOW	—	14	—	1.8	2.2	0.01	10	580	587	595	591
	GREEN	—	5	—	—	—	—	—	566	570	575	572

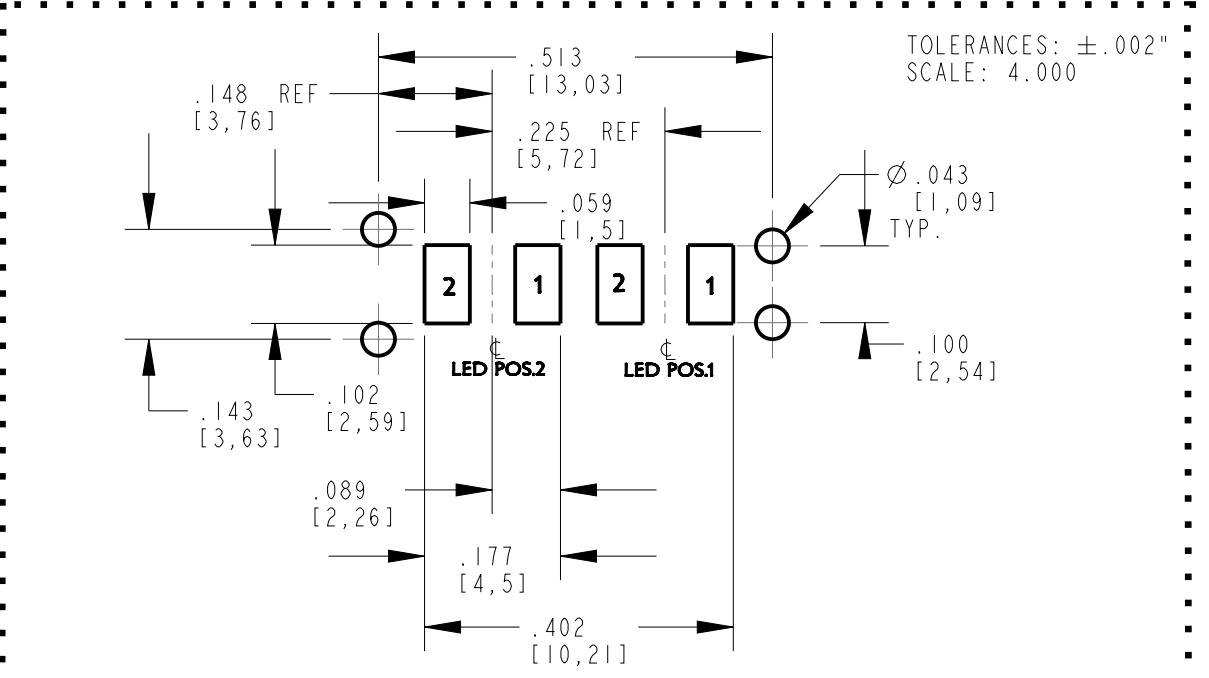
ABSOLUTE MAXIMUM RATINGS AT 25°C AMBIENT	RED/GRN	YLW/GRN	UNITS
CONTINUOUS FORWARD CURRENT	15		mA
REVERSE VOLTAGE	12		V
SURGE CURRENT	100		mA
PEAK SOLDERING TEMPERATURE	245		°C
OPERATING TEMPERATURE	-40 TO +100		°C
STORAGE TEMPERATURE	-40 TO +100		°C

OPERATING CHARACTERISTICS AT 25°C AMBIENT - RED/GRN/BLUE TRI-COLOR LED									
#35 COLOR	LUMINOUS INTENSITY (mcd)	TEST CURRENT (mA)	DOMINANT WAVELENGTH (nm)			PEAK WAVELENGTH (nm)		FORWARD VOLTAGE (V)	
			MIN	TYP	MAX	TYP	MAX	TYP	MAX
RED	31	20	626		635	1.9	2.4		
GREEN	84	20	525		523	3.4	4.1		
BLUE	16	20	470		468	3.4	4.1		

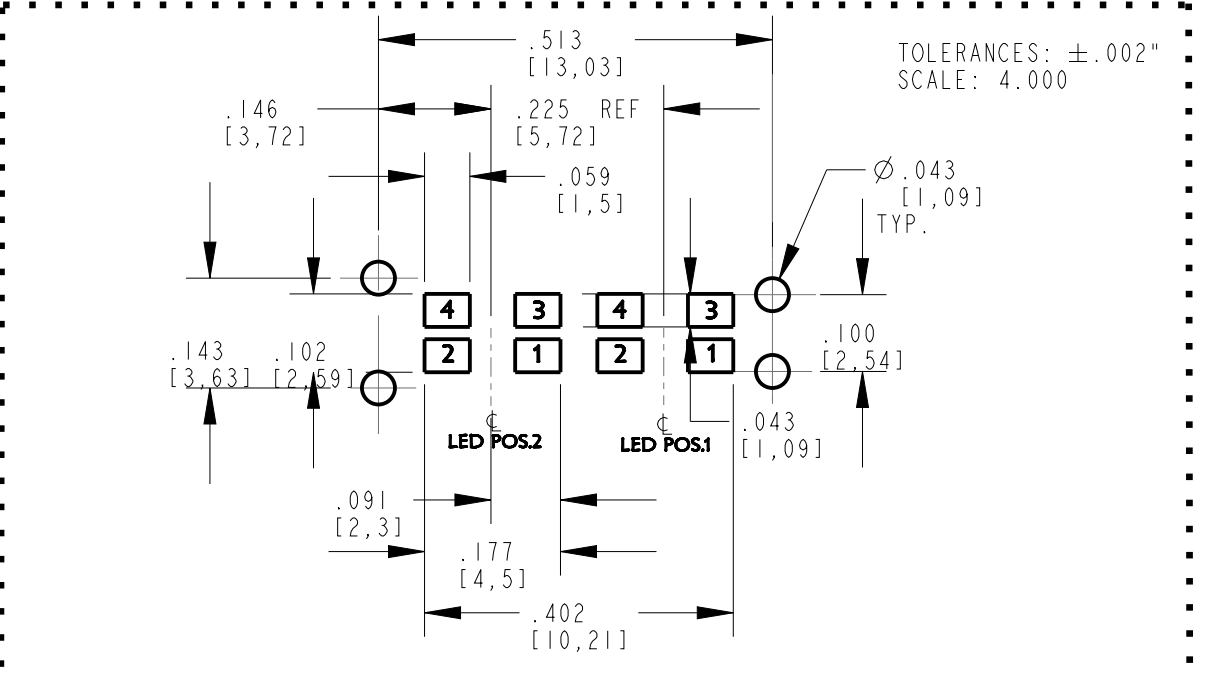
ABSOLUTE MAXIMUM RATINGS AT 25°C AMBIENT - RED/GRN/BLUE TRI-COLOR LED	COLOR			UNITS
	RED	GREEN	BLUE	
POWER DISSIPATION	72	120	120	mW
CONTINUOUS FORWARD CURRENT	30	20	20	mA
LINEAR DERATING FROM 80°C (*BLUE & GREEN FROM 70°C) 1 CHIP ON	1.00	*0.50	*0.50	mA/°C
LINEAR DERATING FROM 65°C (*BLUE & GREEN FROM 50°C) 3 CHIPS ON	0.75	*0.30	*0.30	mA/°C
LEAD REFLOW SOLDERING TEMPERATURE (FOR 5 SEC.)	260			°C
OPERATING TEMPERATURE	-55 TO +100			°C
STORAGE TEMPERATURE	-55 TO +100			°C

OPERATING CHARACTERISTICS AT 25°C AMBIENT												
#26 COLOR	LUMINOUS INTENSITY @ I _f = 10 mA (mcd)			FORWARD VOLTAGE @ I _f = 10 mA (V)			REVERSE CURRENT (μA)		DOMINANT WAVELENGTH (nm)		PEAK WAVELENGTH (nm)	
	MIN	TYP	MAX	TYP	MAX	MAX	MIN	TYP	MAX	TYP	MAX	
InGaN BLUE	4	7	10	3.5	4.2	10	462	465	468	428		

ABSOLUTE MAXIMUM RATINGS AT 25°C AMBIENT	InGaN BLUE	UNITS
POWER DISSIPATION	90	mW
CONTINUOUS FORWARD CURRENT	20	mA
PEAK FORWARD CURRENT (I _{PM} ≤ 10ms, D = 0.05)	200	mA
DERATE LINEARLY FROM 55°C (60°C FOR RED)	0.44	mA/°C
REVERSE VOLTAGE (I _R = 10 μA)	5	V
STORAGE TEMPERATURE	-40 TO +100	°C
OPERATING TEMPERATURE	-40 TO +100	°C

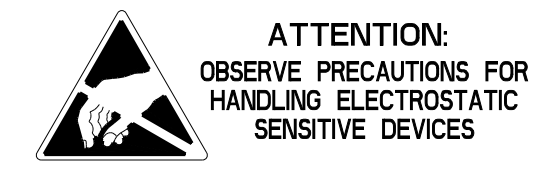
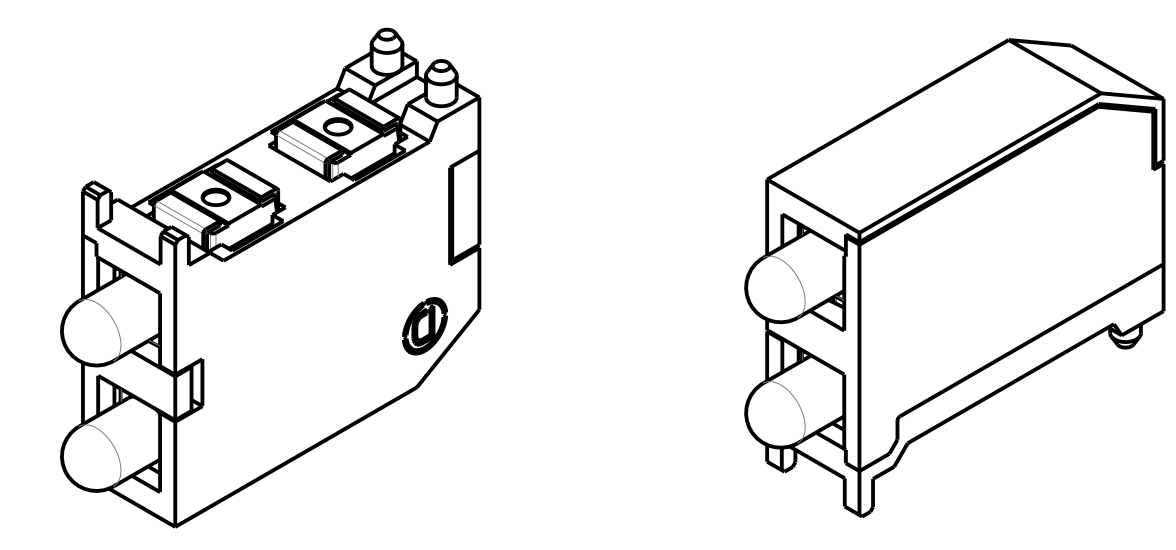


LED COLOR	PIN 1	PIN 2
SINGLE COLOR	CATHODE	ANODE



LED COLOR	PIN 1	PIN 2	PIN 3	PIN 4
YELLOW/GREEN	YELLOW CATHODE	YELLOW ANODE	GREEN ANODE	GREEN CATHODE
RED/GREEN	RED CATHODE	RED ANODE	GREEN ANODE	GREEN CATHODE
R/G/B TRI-COLOR	RED CATHODE	COMMON ANODE	GREEN CATHODE	BLUE CATHODE

- NOTES:
- DIALIGHT PART NUMBERS: 592-XXXX-83XF.
 - ALL PARTS ARE SUPPLIED ON A 13 INCH REEL, 300 PCS/REEL
 - FRONT AND REAR TERMINALS (OF EACH LED) OF THE ASSEMBLY TO BE WITHIN .005" COPLANARITY.
 - STORAGE CONDITIONS FOR TAPED PRODUCT; RE-TAPING MAY BE NECESSARY FOR PRODUCT STORED MORE THAN TWELVE MONTHS.
 - PIN NUMBERS ARE FOR REFERENCE ONLY, DESIGNATION NON-EXISTENT ON PART.
 - MOISTURE SENSITIVITY LEVEL LABEL WILL BE PLACED ON BAG. CHECK CHART FOR PROPER LEVEL.
 - THIS ASSEMBLY CONTAINS ELECTROSTATIC DISCHARGE SENSITIVE DEVICES (ESDS). MAINTAIN ALL PRECAUTIONARY MEASURES DURING ASSEMBLY, HANDLING, AND STORAGE IN ACCORDANCE WITH IPC-A-610.
 - FLAMMABILITY RATING HOUSING: UL-94-VO SILICONE LENS AND LED: UL-94HB



RoHS COMPLIANT 592-XXXX-83XF
 Part Numbers with the "F" suffix ending are RoHS Compliant.
 For example: 592-3030-835F
 Packaging is marked with "RoHS Compliant" label or equivalent markings. These parts can be used with RoHS reflow profile.
 Parts can be wave soldered, dip soldered or hand soldered using typical lead-free soldering process with max 260°C temp. for 5 sec.

THIS DRAWING AND THE CONTENTS HEREIN ARE CONFIDENTIAL AND THE SOLE PROPERTY OF DIALIGHT. REPRODUCTION OF THIS DRAWING OR CONSTRUCTION OF ANY PARTS WITHIN THIS DRAWING ARE FORBIDDEN WITHOUT THE WRITTEN CONSENT OF DIALIGHT.		
SCALE: 6.000	DRAWING NUMBER	REV
ALL DIM'S IN: INCHES (MM)	C-18349	B
TOLERANCES: UNLESS OTHERWISE SPECIFIED	TITLE: 13" LEVEL PRISM SILICONE LENS	
FRACTIONS: ±1/64	ROHS COMPLIANT	
DECIMALS (.XX): ±.02	MATERIAL	
DECIMALS (.XXX): ±.015	-	
ANGLES: ±1°	-	
FINISH: -	-	
FSCM 83330	Dialight 1501 ROUTE 34 SOUTH FARMINGDALE, NJ 07727	
SHEET 1 OF 1 FAMILY TABLE:		