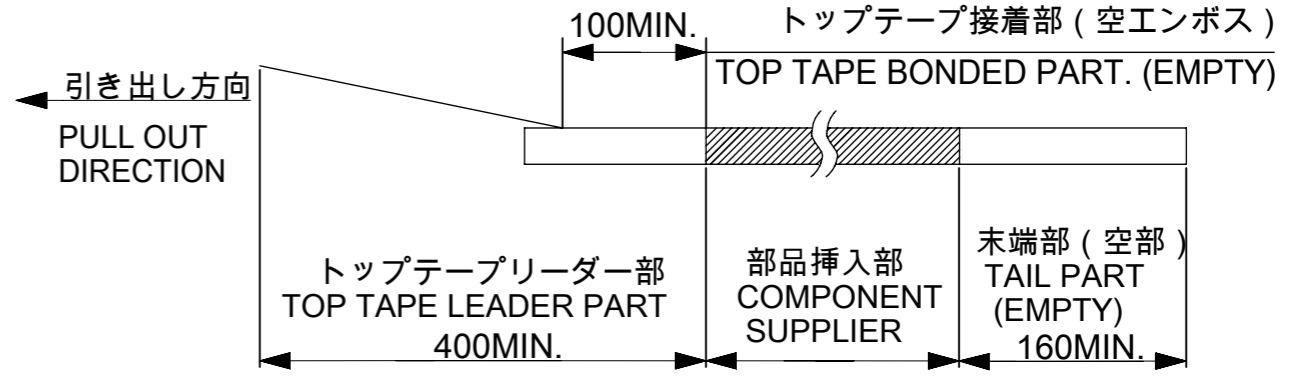


注記 NOTES

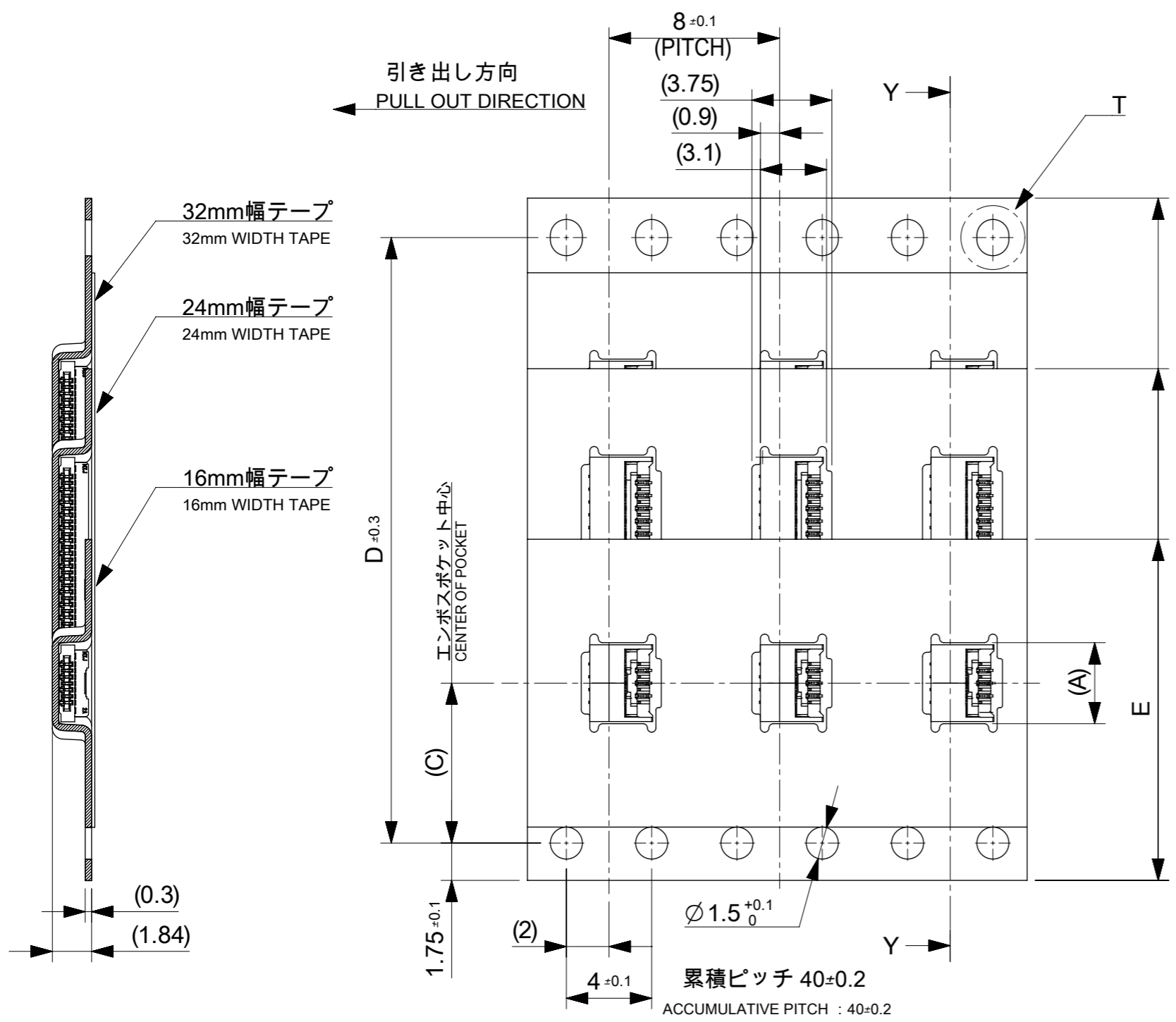
1. 製品詳細寸法については図面5047541000を参照下さい。
REFER TO THE 5047541000 ABOUT DIMENSIONS IN DETAIL.
2. 梱包数量：5000個/リール
NUMBER OF CONNECTORS：5000 PCS/REEL
3. リードテープ長さ
LEAD TAPE LENGTH



4. 材料 MATERIAL
 キャリアテープ(CARRIER TAPE)：ポリスチレン(POLYSTYRENE)
 トップテープ(TOP TAPE)：PET, PE, PEF
 リール(REEL)：ポリスチレン(PS)リサイクル材含む
 POLYSTYRENE(PS)RECYCLE MATERIAL CONTAINED
5. ELV及びRoHS適合品
ELV AND RoHS COMPLIANT

THIS DRAWING CONTAINS INFORMATION THAT IS PROPRIETARY TO MOLEX ELECTRONIC TECHNOLOGIES, LLC AND SHOULD NOT BE USED WITHOUT WRITTEN PERMISSION

EC NO: 106328 DRWN: YCHEN128 CHK'D: YKOBAYASHI02 APPR: TKUSUHARA01	2016/07/05	2016/07/07	2016/07/07	GENERAL TOLERANCES (UNLESS SPECIFIED) ANGULAR TOL ± 1.0 ° 4 PLACES ± 0.03 3 PLACES ± 0.03 2 PLACES ± 0.05 1 PLACE ± 0.1 0 PLACES ± 0.2 DRAFT WHERE APPLICABLE MUST REMAIN WITHIN DIMENSIONS	DIMENSION UNITS	SCALE				
	MM	±0.1	DRWN BY		DATE					
	AYOSHII01	2016/03/18	CHK'D BY		DATE	0.3 FPC CONN. B/F LA75 SERIES TAPING PKG				
	YKOBAYASHI02	2016/03/31	APPR BY		DATE					
	TKUSUHARA01	2016/03/31	DRAWING SIZE		THIRD ANGLE PROJECTION	PRODUCT CUSTOMER DRAWING				
B	REV	A3		SERIES	MATERIAL NUMBER	CUSTOMER	DOCUMENT NUMBER	DOC TYPE	DOC PART	SHEET NUMBER
				504754	SEE CHART		5047540000	PSD	000	1 OF 2

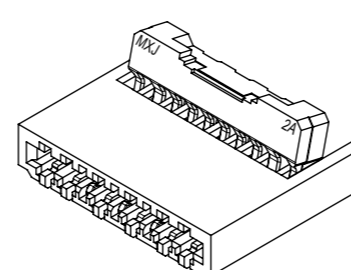
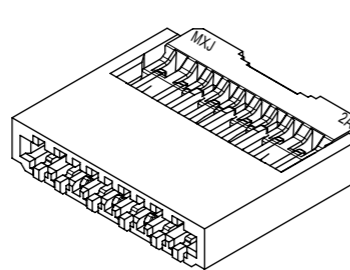
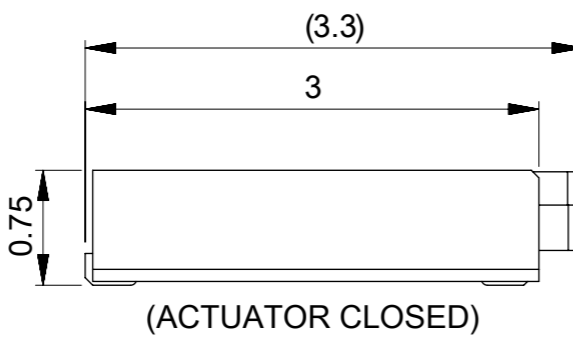
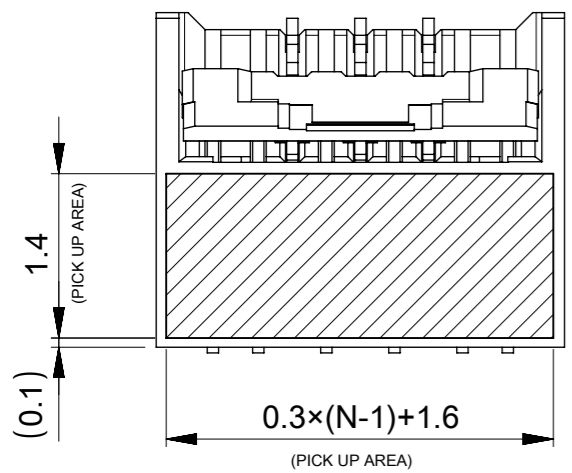
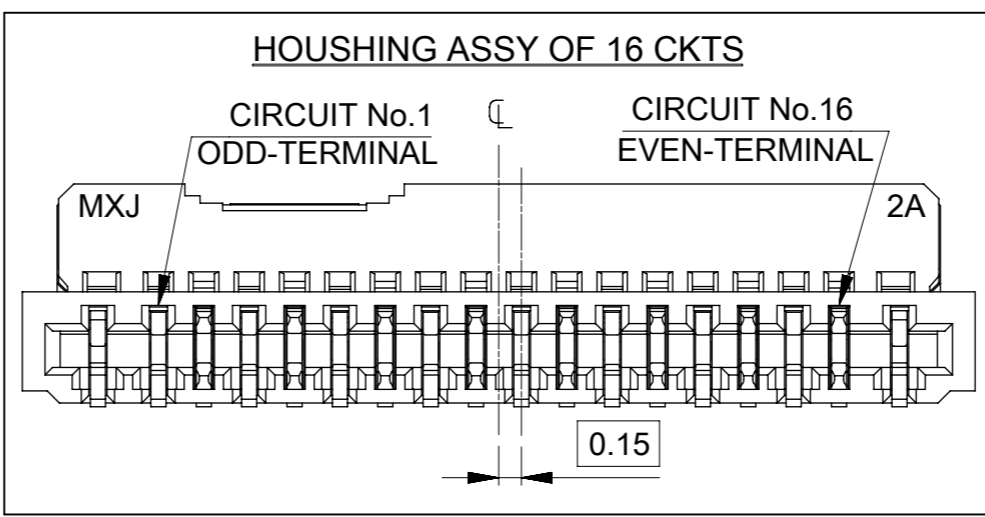
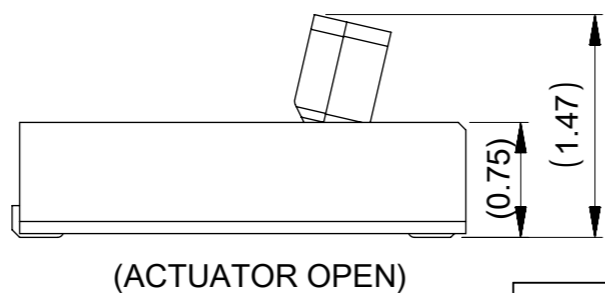
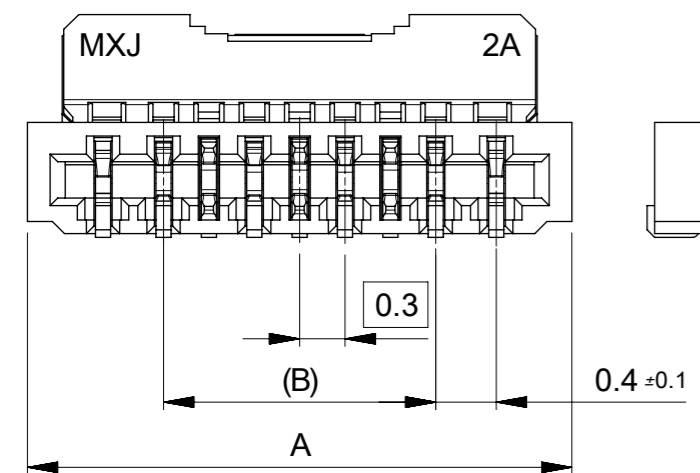
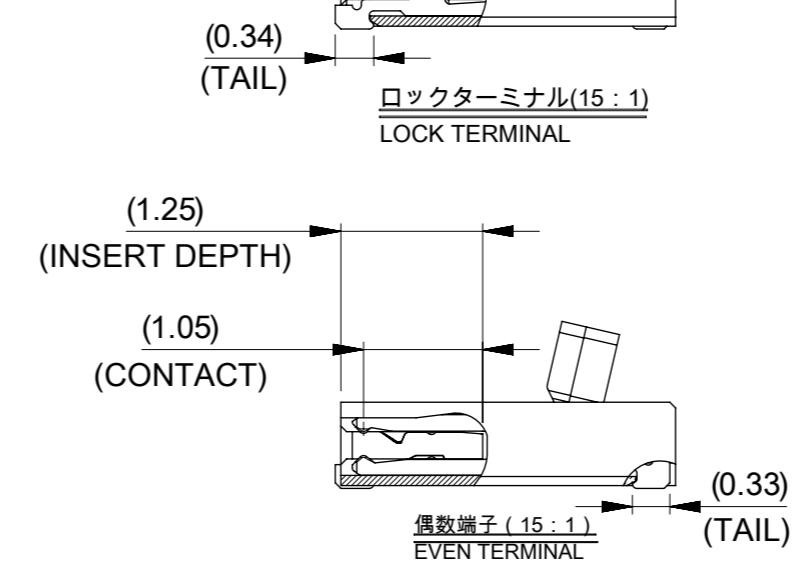
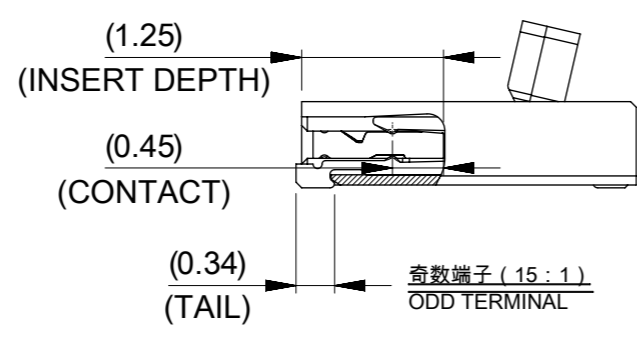
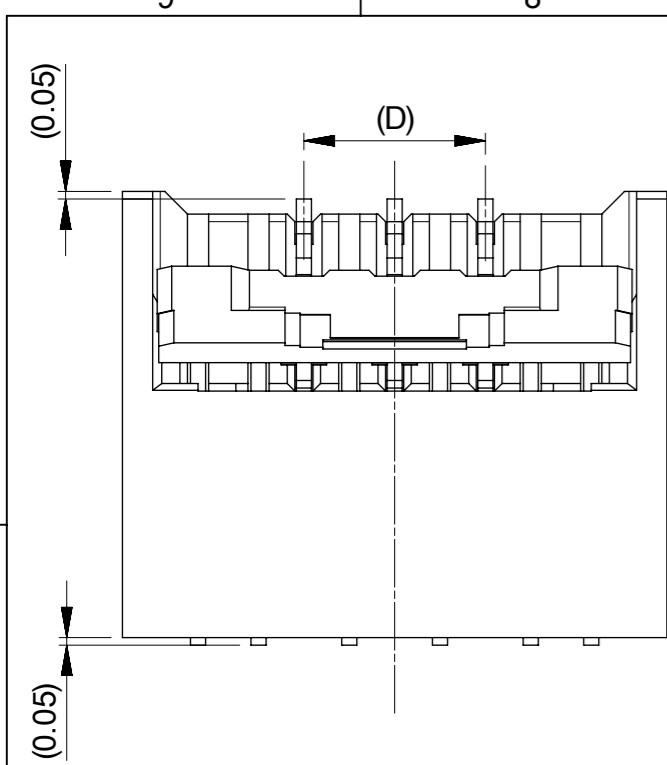


32±0.3	28.4	14.2	33.4	20.0	504754-6100	61			
				17.0	504754-5100	51			
24±0.3	--	11.5	25.4	14.0	504754-4100	41			
				13.4	504754-3900	39			
				12.8	504754-3700	37			
				12.2	504754-3500	35			
				11.6	504754-3300	33			
				11.0	504754-3100	31			
				9.2	504754-2500	25			
				8.0	504754-2100	21			
16±0.3	--	7.5	17.4	6.5	504754-1600	16			
				6.2	504754-1500	15			
				4.9	504754-1100	11			
				4.3	504754-0900	9			
				3.7	504754-0700	7			
Eキャリアテープ幅 EMBOSSED TAPE WIDTH				D	C	B	A	オーダー番号 ORDER NO.	極数 CIRCUITS

SECTION Y-Y

THIS DRAWING CONTAINS INFORMATION THAT IS PROPRIETARY TO MOLEX ELECTRONIC TECHNOLOGIES, LLC AND SHOULD NOT BE USED WITHOUT WRITTEN PERMISSION

EC NO: 106328 DRWN: YCHEN128 CHK'D: YKOBAYASHI02 APPR: TKUSUHARA01	2016/07/05	2016/07/07	2016/07/07	GENERAL TOLERANCES (UNLESS SPECIFIED) ANGULAR TOL ± 1.0 ° 4 PLACES ± 0.03 3 PLACES ± 0.03 2 PLACES ± 0.05 1 PLACE ± 0.1 0 PLACES ± 0.2 DRAFT WHERE APPLICABLE MUST REMAIN WITHIN DIMENSIONS	DIMENSION UNITS	SCALE				
	REVISED	MM	±0.1							
	DRWN BY	DATE	AYOSHII01 2016/03/18		0.3 FPC CONN. B/F LA75 SERIES TAPING PKG					
	CHK'D BY	DATE	YKOBAYASHI02 2016/03/31							
	APPR BY	DATE	TKUSUHARA01 2016/03/31		PRODUCT CUSTOMER DRAWING					
DRAWING SIZE	THIRD ANGLE PROJECTION	A3		SERIES	MATERIAL NUMBER	CUSTOMER				
				504754	SEE CHART					
				DOCUMENT NUMBER	DOC TYPE	DOC PART	SHEET NUMBER			
				5047540000	PSD	000	2 OF 2			



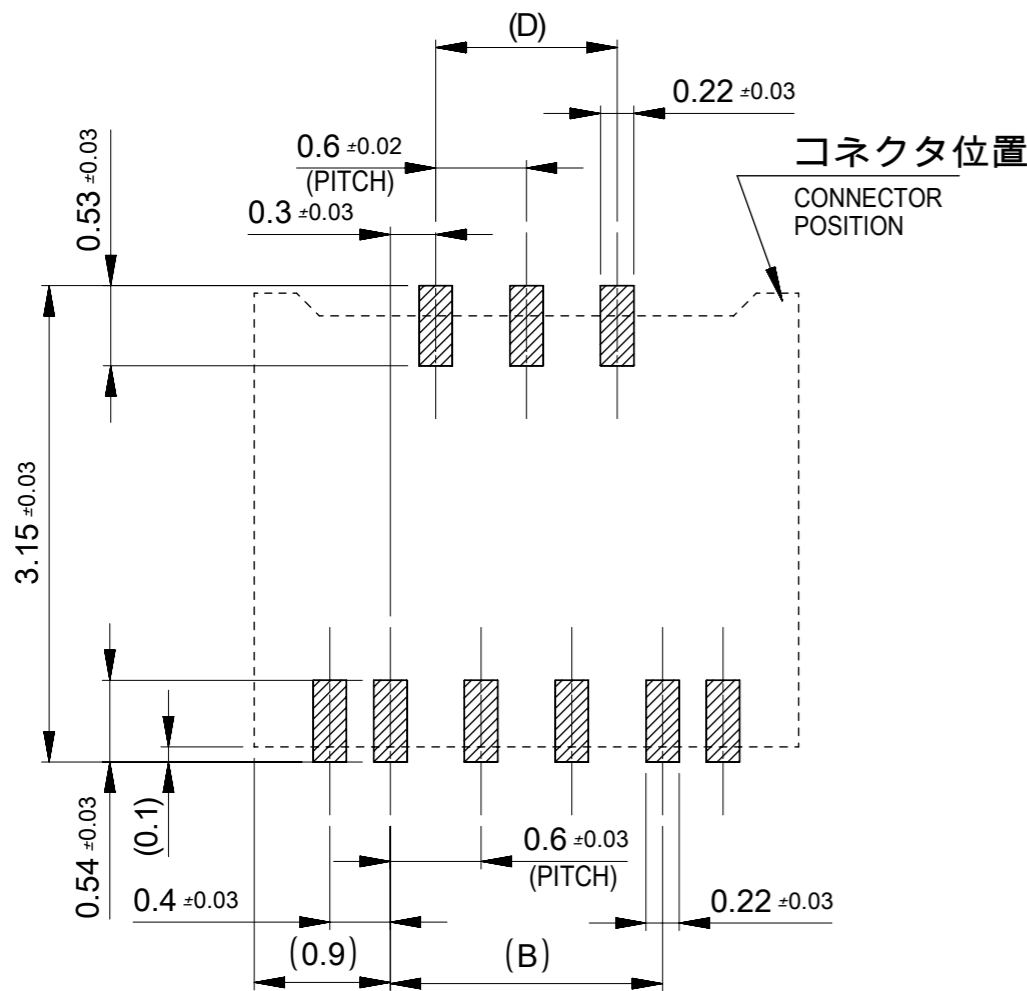
推奨ピックアップエリア(15:1)
RECOMMENDED PICK UP AREA

注記 NOTES:
 1.材質 MATERIAL
 ハウジング: 液晶ポリマー(LCP)、黒色、ガラス充填、UL94 V-0
 HOUSING: LIQUID CRYSTAR POLYMER, BLACK, GLASS FILLED, UL94 V-0
 アクチュエータ: ポリアミド樹脂(PA)、灰色、ガラス充填、UL94 HB
 ACTUATOR: POLYAMIDE, GRAY, GLASS FILLED, UL94 HB
 奇数ターミナル: 銅合金 (t=0.10)
 ODD TERMINAL: COPPER ALLOY(t=0.10)
 偶数ターミナル: 銅合金 (t=0.10)
 EVEN TERMINAL: COPPER ALLOY(t=0.10)
 ロックターミナル: 銅合金 (t=0.10)
 LOCK TERMINAL: COPPER ALLOY(t=0.10)
 2.めっき仕様 PLATING
 奇数 / 偶数ターミナル ODD/EVEN TERMINAL
 接点部: 部分金めっき(0.1μm以上)
 CONTACT AREA: SEPARATED GOLD PLATING (0.1 MICROMETER MINIMUM)
 半田付け部: 部分金めっき
 SOLDER TAIL AREA: SEPARATED GOLD PLATING
 下地: ニッケルめっき(1.0μm以上)
 UNDERPLATE: NICKEL PLATING(1.0 MICROMETER MINIMUM)
 ロックターミナル LOCK TERMINAL
 半田付け部: 部分金めっき
 SOLDER TAIL AREA: SEPARATED GOLD PLATING
 下地: ニッケルめっき(1.0μm以上)
 UNDERPLATE: NICKEL PLATING(1.0 MICROMETER MINIMUM)
 3.平坦度は、0.1mm以下とする。
 TAILS' COPLANARITY TO BE 0.1 MAXIMUM.
 4.ELV及びRoHS適合品
 ELV AND RoHS COMPLIANT

18.5	17.4	19.3	18.0	19.8	504754-6100	61
15.5	14.4	16.3	15.0	16.8	504754-5100	51
12.5	11.4	13.3	12.0	13.8	504754-4100	41
11.9	10.8	12.7	11.4	13.2	504754-3900	39
11.3	10.2	12.1	10.8	12.6	504754-3700	37
10.7	9.6	11.5	10.2	12.0	504754-3500	35
10.1	9.0	10.9	9.6	11.4	504754-3300	33
9.5	8.4	10.3	9.0	10.8	504754-3100	31
7.7	6.6	8.5	7.2	9.0	504754-2500	25
6.5	5.4	7.3	6.0	7.8	504754-2100	21
5.0	4.2	5.8	4.5	6.3	504754-1600	16
4.7	3.6	5.5	4.2	6.0	504754-1500	15
3.5	2.4	4.3	3.0	4.8	504754-1100	11
2.9	1.8	3.7	2.4	4.2	504754-0900	9
2.3	1.2	3.1	1.8	3.6	504754-0700	7
E	D	C	B	A	EMBOSSED PACKAGE	CIRCUITS
オーダー番号: ORDER NO.						
CONNECTOR SERIES 504754-**09						

THIS DRAWING CONTAINS INFORMATION THAT IS PROPRIETARY TO MOLEX ELECTRONIC TECHNOLOGIES, LLC AND SHOULD NOT BE USED WITHOUT WRITTEN PERMISSION

REVISED	2017/02/17	GENERAL TOLERANCES (UNLESS SPECIFIED)	DIMENSION UNITS	SCALE	molex					
	2017/02/20	ANGULAR TOL ± 1.0 °	MM	20:1						
	2017/02/20	4 PLACES ± 0.03	DRWN BY	DATE				0.3 FPC LA75 SERIES ASSY		
		3 PLACES ± 0.03	AYOSHII01	2016/03/18						
EC NO: 113640	DRWN: YCHEN128	2 PLACES ± 0.05	CHK'D BY	DATE	PRODUCT CUSTOMER DRAWING					
	CHK'D: YKOBAYASHI02	1 PLACE ± 0.1	YKOBAYASHI02	2016/03/31						
	APPR: TKUSUHARA01	0 PLACES ± 0.2	APPR BY	DATE	SERIES MATERIAL NUMBER CUSTOMER					
		DRAFT WHERE APPLICABLE MUST REMAIN WITHIN DIMENSIONS	TKUSUHARA01	2016/03/31				504754 SEE SHEET 1		
C	REV	DRAWING SIZE	THIRD ANGLE PROJECTION	DOCUMENT NUMBER DOC TYPE DOC PART SHEET NUMBER						
		A3		5047541000 PSD 000 1 OF 3						



推奨基板レイアウト

RECOMMENDED P.C. BOARD
PATTERN LAYOUT

推奨メタルマスク厚さ : 0.1mm

RECOMMENDED METAL MASK THICKNESS : 0.1mm

推奨開口率 : 80%

APERTURE RATE : 80%

注記
NOTE

- 必ず基板に実装してからアクチュエータを操作して下さい。
PLEASE OPERATE THE ACTUATOR AFTER MOUNTING ON THE SUBSTRATE.
- FPCについて

ABOUT FPC

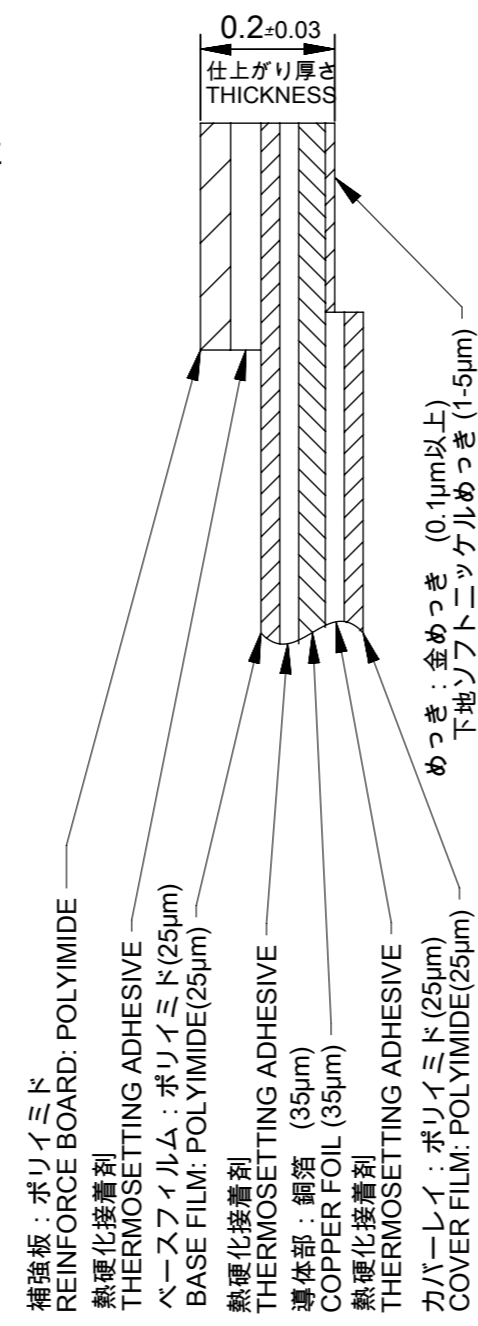
補強フィルム材質はポリイミドを推奨します。ベースフィルムは25μmを推奨します。

接着剤は熱硬化接着剤を推奨します。

尚、接着剤の接点部への付着は導通不良の原因になりますので、染み出しが無い様、お願い致します。

RECOMMENDED STIFFENER MATERIAL: POLYIMIDE
RECOMMENDED BASE FILM THICKNESS: 25 MICROMETER
RECOMMENDED ADHESIVE: THERMOSETTING ADHESIVE
NOTE: PLEASE PUT APPROPRIATE AMOUNT OF ADHESIVE ON ADHEREND BECAUSE THERE IS A POSSIBILITY THAT THE EXTRA ADHESIVE CAUSES THE DEFECT IN ELECTRICAL CONTINUITY.

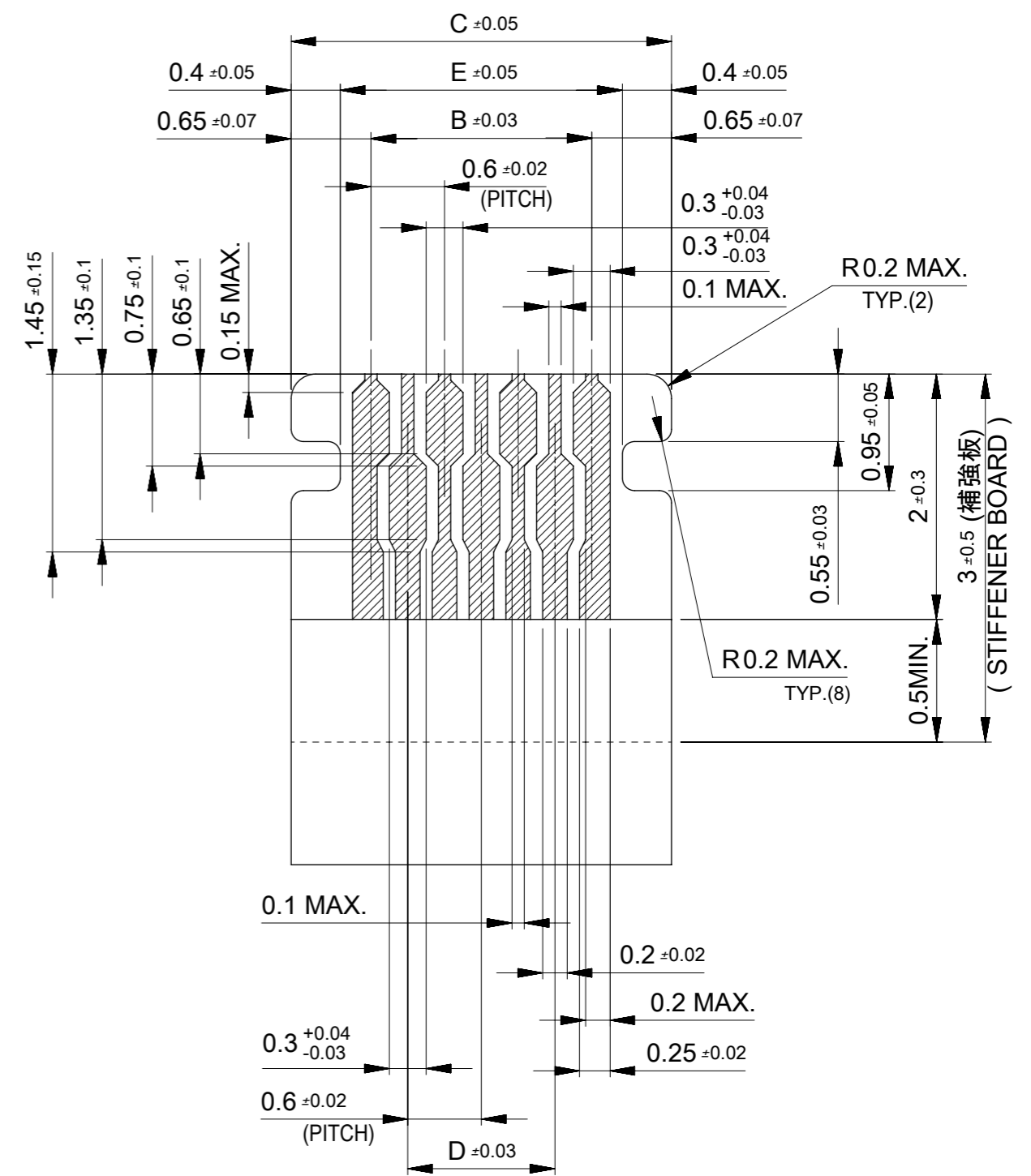
打抜き方向は導体側から補強板側を推奨致します。
RECOMMENDED PUNCHER DIRECTION:
FROM CONDUCTOR SIDE TO STIFFENER FILM SIDE.



FPC構成推奨仕様
STRUCTURE OF FPC

奇数極ASSY用
FOR ODD CKT ASSY

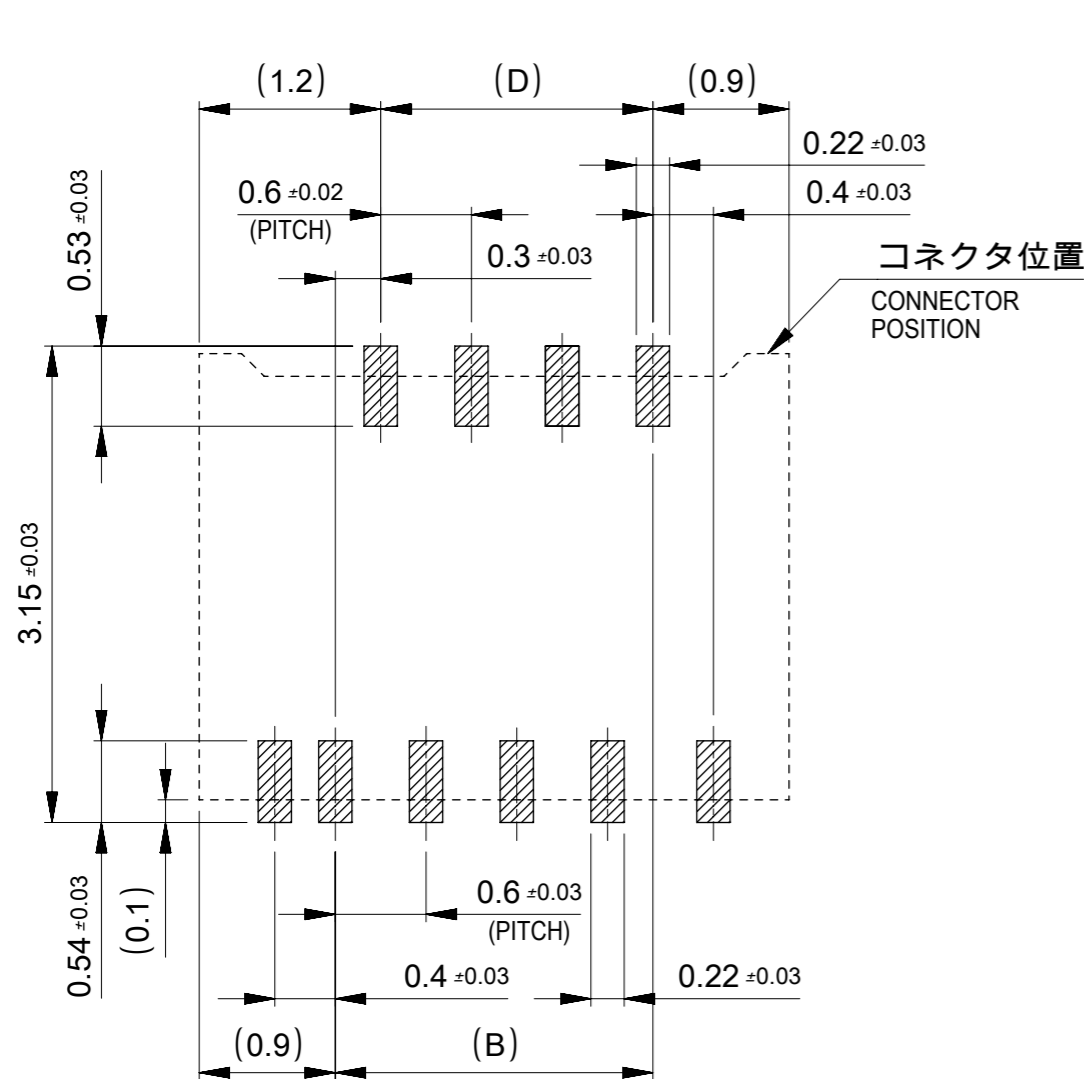
PLATING: GOLD PLATING(0.1μmMIN.)
SOFT NICKEL UNDERPLATE (1-5μm)



適合金メッキFPC推奨寸法
仕上がり厚さ : 0.2 ± 0.03

APPLICABLE FPC WITH GOLD PLATING
RECOMMENDED DIMENSION
THICKNESS : 0.2 ± 0.03

THIS DRAWING CONTAINS INFORMATION THAT IS PROPRIETARY TO MOLEX ELECTRONIC TECHNOLOGIES, LLC AND SHOULD NOT BE USED WITHOUT WRITTEN PERMISSION												
REVISED	2017/02/17	2017/02/20	2017/02/20	GENERAL TOLERANCES (UNLESS SPECIFIED)	DIMENSION UNITS	SCALE	 0.3 FPC LA75 SERIES ASSY PRODUCT CUSTOMER DRAWING					
	2017/02/17	2017/02/20	2017/02/20		MM	20:1						
	2017/02/17	2017/02/20	2017/02/20		ANGULAR TOL ± 1.0 °	DRWN BY						DATE
	2017/02/17	2017/02/20	2017/02/20		4 PLACES ± 0.03	AYOSHII01						2016/03/18
	2017/02/17	2017/02/20	2017/02/20		3 PLACES ± 0.03	CHK'D BY						DATE
EC NO: 113640 DRWN: YCHEN128 CHK'D: YKOBAYASHI02 APPR: TKUSUHARA01	C	REV	2017/02/20	DRAFT WHERE APPLICABLE MUST REMAIN WITHIN DIMENSIONS	2 PLACES ± 0.05	YKOBAYASHI02	2016/03/31	SERIES: 504754 MATERIAL NUMBER: SEE SHEET 1 CUSTOMER: SEE SHEET 1 DOCUMENT NUMBER: 5047541000 DOC TYPE: PSD DOC PART: 000 SHEET NUMBER: 2 OF 3				
					1 PLACE ± 0.1	TKUSUHARA01	2016/03/31					
					0 PLACES ± 0.2	DRWING SIZE	THIRD ANGLE PROJECTION					
					A3							



推奨基板レイアウト
RECOMMENDED P.C. BOARD
PATTERN LAYOUT

推奨メタルマスク厚さ : 0.1mm
RECOMMENDED METAL MASK THICKNESS : 0.1mm

推奨開口率 : 80%
APERTURE RATE : 80%

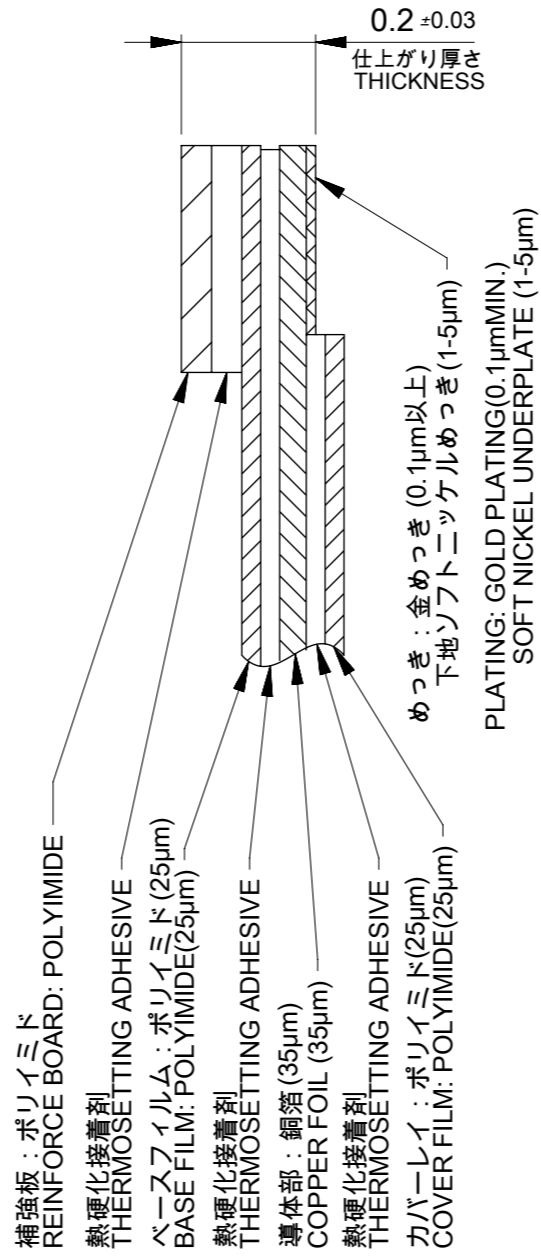
注記
NOTE

- 必ず基板に実装してからアクチュエータを操作して下さい。
PLEASE OPERATE THE ACTUATOR AFTER MOUNTING ON THE SUBSTRATE.
- FPCについて
ABOUT FPC

補強フィルム材質はポリイミドを推奨します。ベースフィルムは25μmを推奨します。
接着剤は熱硬化接着剤を推奨します。
尚、接着剤の接点部への付着は導通不良の原因になりますので、染み出しが無い様、お願い致します。

RECOMMENDED STIFFENER MATERIAL: POLYIMIDE
RECOMMENDED BASE FILM THICKNESS: 25 MICROMETER
RECOMMENDED ADHESIVE: THERMOSETTING ADHESIVE
NOTE: PLEASE PUT APPROPRIATE AMOUNT OF ADHESIVE ON ADHEREND BECAUSE THERE IS A POSSIBILITY THAT THE EXTRA ADHESIVE CAUSES THE DEFECT IN ELECTRICAL CONTINUITY.

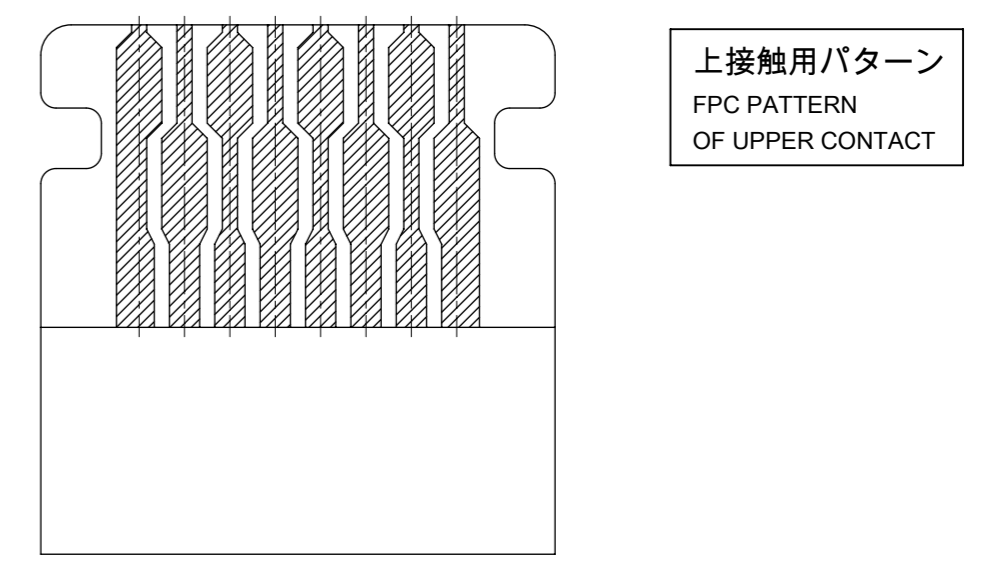
打抜き方向は導体側から補強板側を推奨致します。
RECOMMENDED PUNCHER DIRECTION:
FROM CONDUCTOR SIDE TO STIFFENER FILM SIDE.



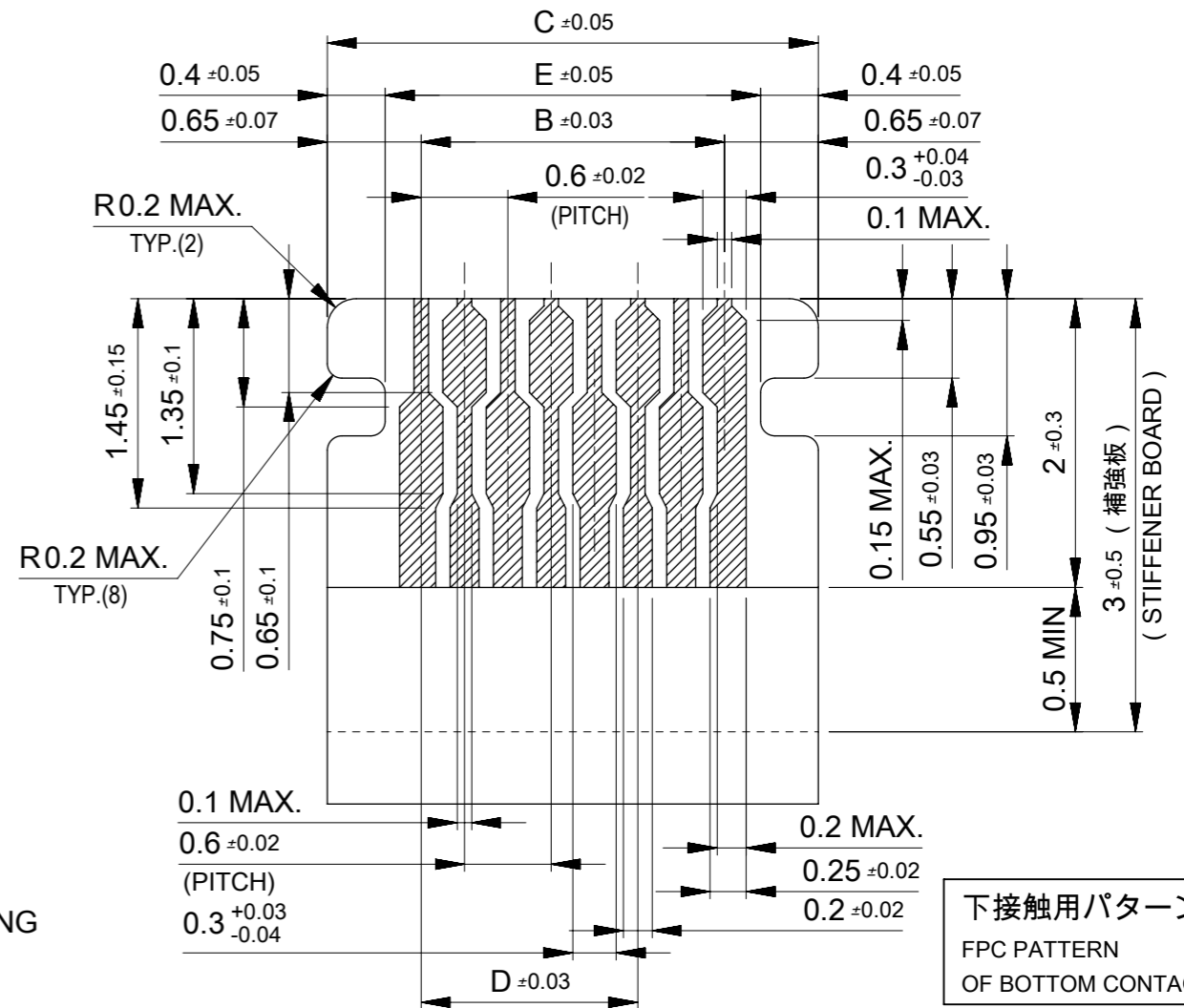
FPC構成推奨仕様
STRUCTURE OF FPC

適合金メッキFPC推奨寸法
仕上がり厚さ : 0.2±0.03
APPLICABLE FPC WITH GOLD PLATING
RECOMMENDED DIMENSION
THICKNESS : 0.2±0.03

16極ASSY用 FOR 16 CKT ASSY



上接触用パターン
FPC PATTERN
OF UPPER CONTACT



下接触用パターン
FPC PATTERN
OF BOTTOM CONTACT

THIS DRAWING CONTAINS INFORMATION THAT IS PROPRIETARY TO MOLEX ELECTRONIC TECHNOLOGIES, LLC AND SHOULD NOT BE USED WITHOUT WRITTEN PERMISSION

REVISED EC NO: 113640 DRWN: YCHEN128 CHK'D: YKOBAYASHI02 REV APPR: TKUSUHARA01	2017/02/17	2017/02/20	2017/02/20	GENERAL TOLERANCES (UNLESS SPECIFIED)	DIMENSION UNITS	SCALE	molex				
	4 PLACES	± 0.03	AYOSHII01		DATE	MM		20:1			
	3 PLACES	± 0.03	CHK'D BY		DATE	0.3 FPC LA75 SERIES ASSY					
	2 PLACES	± 0.05	YKOBAYASHI02		2016/03/31	PRODUCT CUSTOMER DRAWING					
1 PLACE	± 0.1	APPR BY	DATE	TKUSUHARA01	2016/03/31	SERIES	MATERIAL NUMBER	CUSTOMER			
0 PLACES	± 0.2	DRAWING SIZE		THIRD ANGLE PROJECTION		504754	SEE SHEET 1				
DRAFT WHERE APPLICABLE MUST REMAIN WITHIN DIMENSIONS					A3			DOCUMENT NUMBER	DOC TYPE	DOC PART	SHEET NUMBER
								5047541000	PSD	000	3 OF 3