

**PLEASE CHECK WWW.MOLEX.COM FOR LATEST PART INFORMATION**

**Part Number:** [5010443010](#)  
**Status:** **Active**  
**Overview:** Micro IDT Coaxial Connectors  
**Description:** 0.40mm Pitch Wire-to-Board PCB Receptacle, Right Angle, 30 Circuits

**Documents:**

[3D Model](#) [Product Specification PS-501044-001-001 \(PDF\)](#)  
[Drawing \(PDF\)](#) [RoHS Certificate of Compliance \(PDF\)](#)

**General**

Product Family PCB Receptacles  
Series [501044](#)  
Application Signal, Wire-to-Board  
Overview [Micro IDT Coaxial Connectors](#)  
Product Name Micro IDT Coaxial Cable Jumper  
UPC 822348753482

**Physical**

Circuits (Loaded) 30  
Circuits (maximum) 30  
Color - Resin Black  
Durability (mating cycles max) 10  
Glow-Wire Capable No  
Lock to Mating Part Yes  
Material - Metal Phosphor Bronze, Stainless Steel  
Material - Plating Mating Gold  
Material - Plating Termination Gold  
Material - Resin High Temperature Thermoplastic  
Net Weight 100.746/mg  
Number of Rows 1  
Orientation Right Angle  
PCB Locator No  
PCB Retention Yes  
Packaging Type Embossed Tape on Reel  
Pitch - Mating Interface 0.40mm  
Polarized to Mating Part Yes  
Polarized to PCB Yes  
Temperature Range - Operating -30°C to +75°C  
Termination Interface: Style Surface Mount

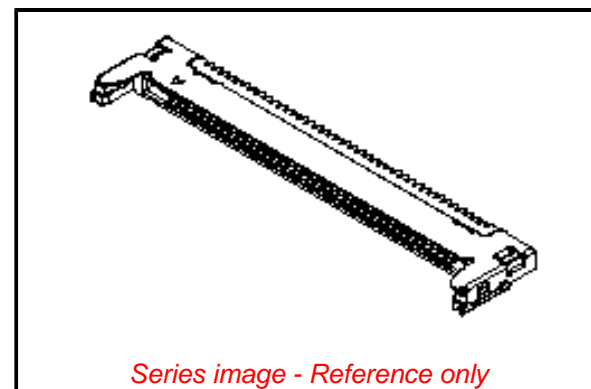
**Electrical**

Current - Maximum per Contact 0.2A  
Voltage - Maximum 30V AC (RMS)/DC

**Material Info**

**Reference - Drawing Numbers**

Product Specification PS-501044-001-001  
Sales Drawing SD-501044-001, SD-501044-002



*Series image - Reference only*

**EU ELV**

**Not Relevant**

**EU RoHS**

**Compliant**

**REACH SVHC**

Not Contained Per  
-ED/01/2018 (15  
January 2018)

**Halogen-Free**

**Status**

**Low-Halogen**

**Need more information on product environmental compliance?**

Email [productcompliance@molex.com](mailto:productcompliance@molex.com)  
Please visit the [Contact Us](#) section for any non-product compliance questions.

China ROHS	Green Image
ELV	Not Relevant
RoHS Phthalates	Not Contained

**Search Parts in this Series**

[501044 Series](#)

**Mates With**

Contact Molex for mating plug harness details