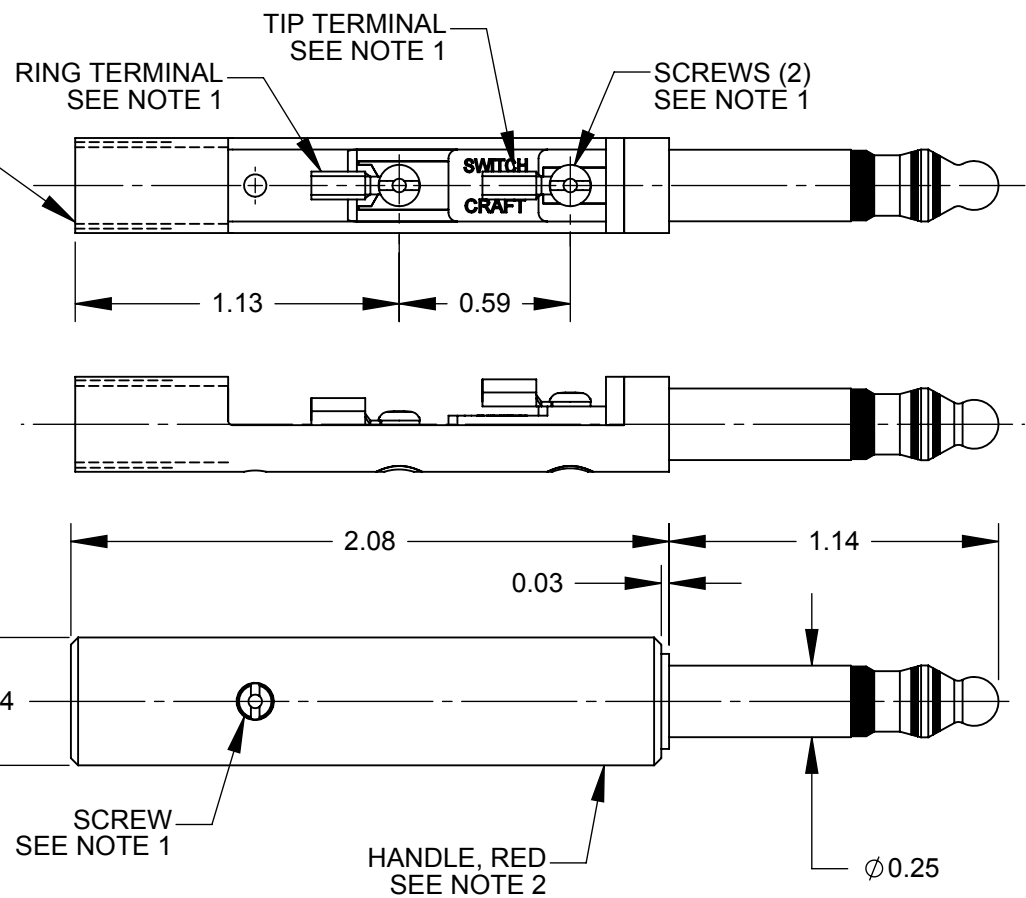


5/16-24 UNF-2B  
TRUNCATED INTERNAL THREAD  
0.301 MAJOR DIAMETER



NOTES:

1. TERMINALS AND SCREWS ARE SHIPPED UNASSEMBLED AS HARDWARE KIT K172.
2. HANDLE SHIPPED UNASSEMBLED.
3. MATERIALS:  
TIP ROD, RING & SLEEVE - COPPER ALLOY  
INSULATION - THERMOPLASTIC, BLACK  
TERMINALS - COPPER ALLOY, TIN PLATED  
SCREWS- COPPER ALLOY  
HANDLE - THERMOPLASTIC, RED
4. THIS PRODUCT IS RoHS COMPLIANT.

**CUSTOMER DRAWING**

					THIS DRAWING DESCRIBES A DESIGN CONSIDERED PROPRIETARY IN NATURE, DEVELOPED AND MANUFACTURED BY SWITCHCRAFT INC. AND IS RELEASED ON A CONFIDENTIAL BASIS FOR IDENTIFICATION PURPOSES ONLY.				
					SIZE	WIDTH	MULT	LBS/M	TEMPER
					FINISH			MATERIAL	
					SPEC No.			SPEC No.	
					FIRST USED ON		SCALE 1.5:1		
A	25653	6/14/07	RS	TJK	DATE DRAWN	BY	CHKD	APVD	
REV	ECO NUMBER	DATE	BY	APVD	1/10/11	RS	RS	TJK	
REVISIONS					DO NOT SCALE DRAWING				
					NAME			PART No.	
					LITTEL PLUG, RoHS			482X	
					REV A				