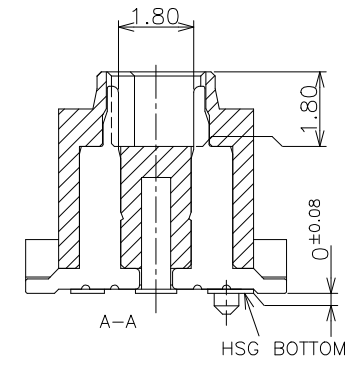
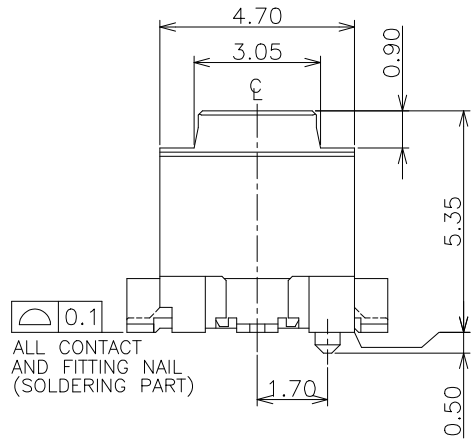
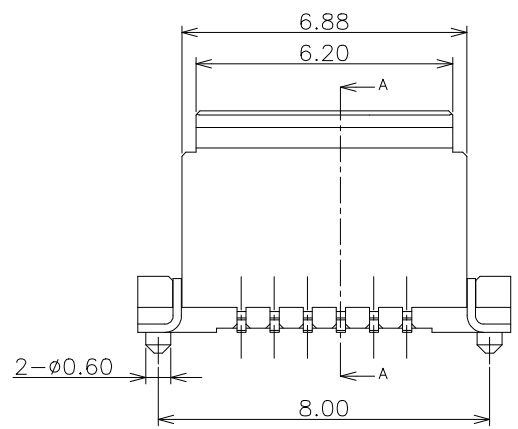
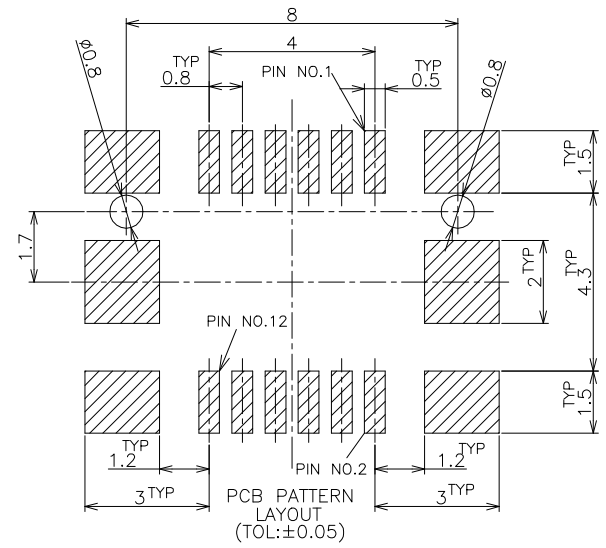
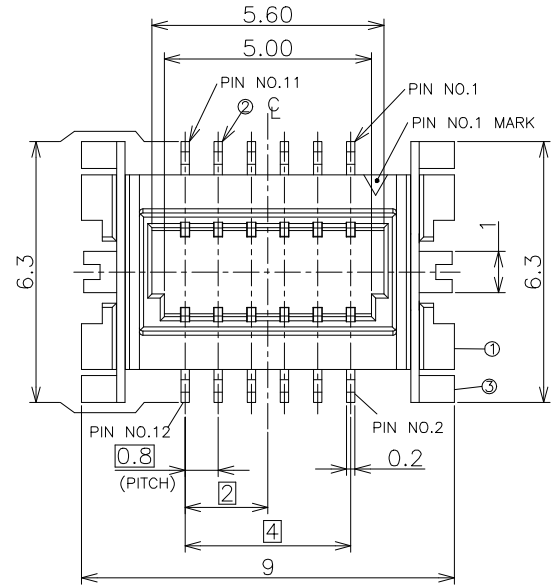


REVISIONS				
変更				
P	LTR	DESCRIPTION	DATE	APVD
E1		REVISED(ECR-19-013959)	06SEP2019	A.L H.L

- NOTE
- MATERIAL:
    - ① HOUSING : SEE BELOW CHART, UL94V-0 NATURAL
    - ② CONTACT : PHOSPHOR BRONZE
    - ③ FITTING NAIL : BRASS
  - FINISH:
    - CONTACT : TIN (MATTE) PLATED ALL OVER.  
NICKEL UNDERPLATED ALL OVER.
    - FITTING NAIL : TIN (MATTE) PLATED ALL OVER.  
NICKEL UNDERPLATED ALL OVER.



LCP	WITH	12P	2-2040478-2
THE MC	PLASTIC	29	2-2040478
MATERIAL	CONTROL	12P	2-2040478-2
CAP	POS		PART NO.

**OBsolete**

AS SHOWN: 1-2040478-2  
AND STATUS OF WITHOUT CAP 2-2040478-2, 3-2040478-2

THIS DRAWING IS A CONTROLLED DOCUMENT.		DWN H.FUKUZAKI 21MAR2008	TE Connectivity Ltd.	
DIMENSIONS: 単位: 耗 mm		CHK T.YAMADA 21MAR2008		
TOLERANCES UNLESS OTHERWISE SPECIFIED: 一般公差		APVD T.YAMADA 21MAR2008	NAME 名称 BOARD TO BOARD 0.8mm PITCH 6.0HEIGHT VERTICAL, SMT TYPE	
0 PLC ± 0.3 1 PLC ± 0.3 2 PLC ± 0.2 3 PLC ± - 4 PLC ± - ANGLES ± 3°		PRODUCT SPEC 製品規格 108-78548	DRAWING NO 番号 A3 00779 G=2040478	
MATERIAL 材料		APPLICATION SPEC 取付適用規格	RESTRICTED TO	
FINISH 仕上		WEIGHT	SCALE 尺度 NTS SHEET 1 OF 5 REV E1	
		CUSTOMER DRAWING		

THIS DRAWING IS UNPUBLISHED.

RELEASED FOR PUBLICATION

MAR ,2008.

© COPYRIGHT 2008 TE Connectivity Ltd.

ALL RIGHTS RESERVED.

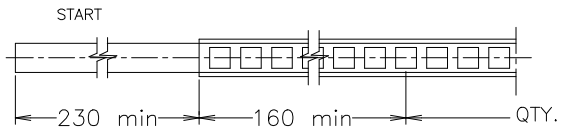
REVISIONS

変更

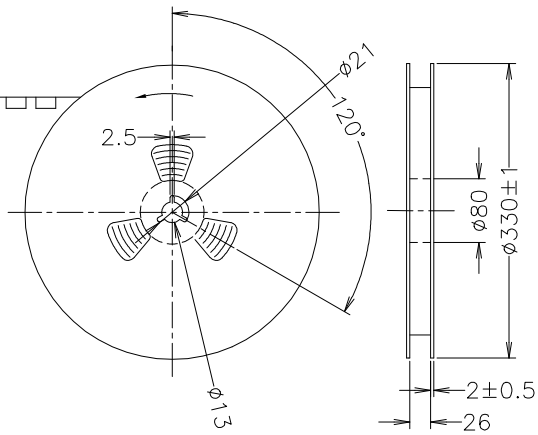
P	LTR	DESCRIPTION	DATE	DWN	APVD
-	-	SEE SHEET 1	-	-	-

NOTE

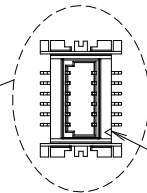
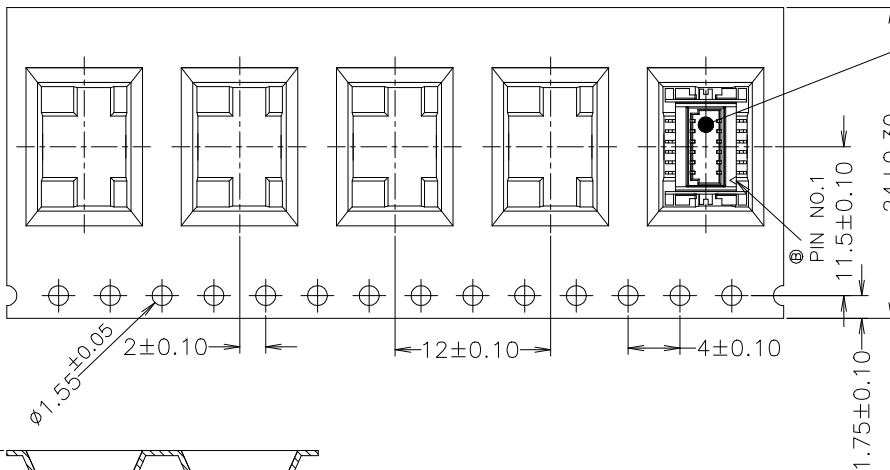
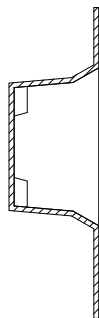
- MATERIAL
  - EMBOSSED CARRIER: PS
  - COVER TAPE: PS
  - SHIPPING CARTON: CORRUGATED FIBER
- DIMENSION
  - REEL: W=24.0
  - SHIPPING CARTON: L=350, W=350, H=350
- QUANTITY
  - PRIMARY PACKING: 700PCS/REEL
  - SECONDARY PACKING: 10 REELS/CARTON(7000PCS)Ⓞ
- WEIGHT
  - GROSS WEIGHT: 0.55kg/REEL, 6.3kg/CARTON.
- PEELING RESISTANCE: 30.0gf~120.0gf  
(PEELING SPEED: 300mm/minutes.)



FEED OUT DIRECTION



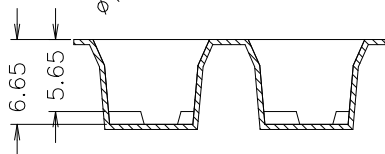
FEED OUT DIRECTION



PIN NO.1 MARK

**OBSELETE**

AS SHOWN: 1-2040478-2

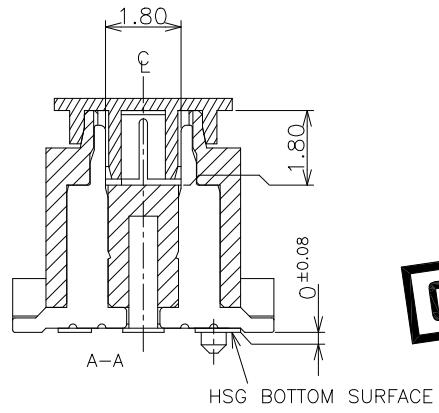
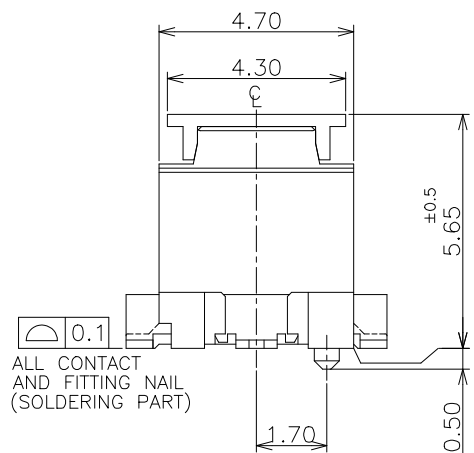
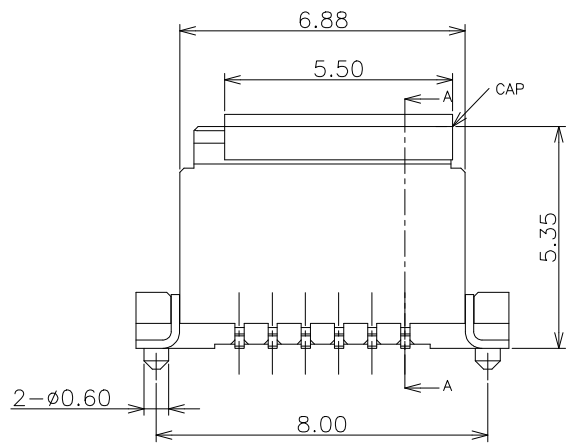
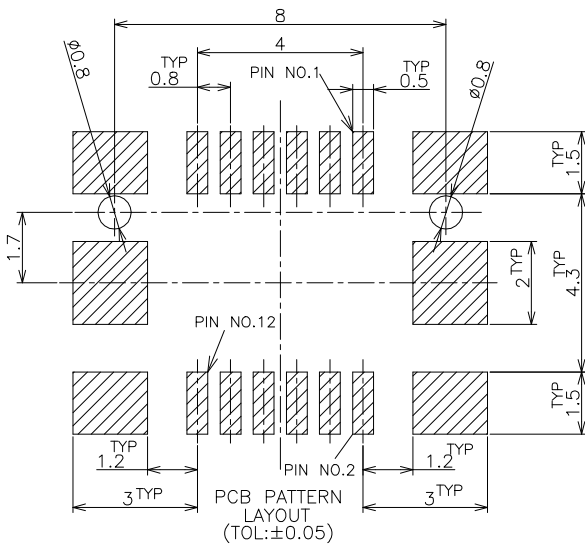
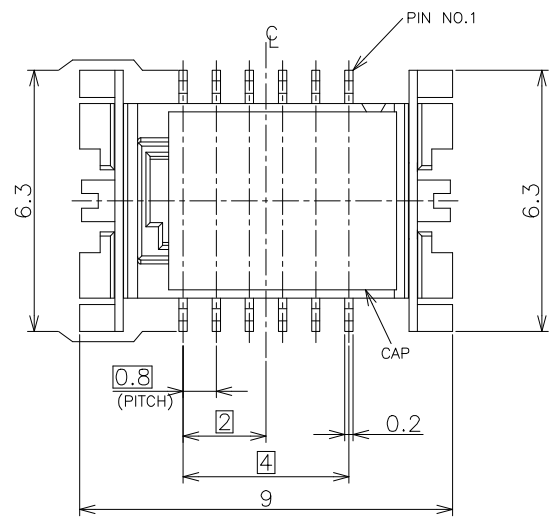


THIS DRAWING IS A CONTROLLED DOCUMENT.		DWN H.FUKUZAKI 21MAR2008	TE Connectivity Ltd.	
DIMENSIONS: 單位: 耗 mm		CHK T.YAMADA 21MAR2008		
TOLERANCES UNLESS OTHERWISE SPECIFIED: 一般公差		APVD T.YAMADA 21MAR2008	NAME 名称	
0 PLC ± 0.3 1 PLC ± 0.3 2 PLC ± 0.2 3 PLC ± - 4 PLC ± - ANGLES ± 3°		PRODUCT SPEC 製品規格 108-78548	BOARD TO BOARD 0.8mm PITCH 6.0HEIGHT VERTICAL, SMT TYPE	
MATERIAL 材料		APPLICATION SPEC 取付適用規格	SIZE A3	RESTRICTED TO
FINISH 仕上		WEIGHT	CAGE CODE 00779	DRAWING NO 番号 G=2040478
		CUSTOMER DRAWING	SCALE 尺度 NTS	SHEET 2 OF 5
				REV E1

THIS DRAWING IS UNPUBLISHED. RELEASED FOR PUBLICATION MAR ,2008.  
 © COPYRIGHT 2008 TE Connectivity Ltd. ALL RIGHTS RESERVED.

REVISIONS				
P	LTR	DESCRIPTION	DATE	APVD
-	-	SEE SHEET 1	-	-

NOTE  
 1. MATERIAL:  
 CAP : THERMOPLASTIC OR LCP, UL94V-0  
 OTHR COMPONENT : SEE SHEET1



**OBSELETE**

ALL CONTACT AND FITTING NAIL (SOLDERING PART)

AS SHOWN: 2-2040478-2, 3-2040478-2

THIS DRAWING IS A CONTROLLED DOCUMENT.		DWN H.FUKUZAKI 21MAR2008	TE Connectivity Ltd. BOARD TO BOARD 0.8mm PITCH 6.0HEIGHT VERTICAL, SMT TYPE	
DIMENSIONS: 單位: 耗 mm		CHK T.YAMADA 21MAR2008		
TOLERANCES UNLESS OTHERWISE SPECIFIED: 一般公差		APVD T.YAMADA 21MAR2008	PRODUCT SPEC 製品規格 108-78548	RESTRICTED TO
0 PLC ± 0.3 1 PLC ± 0.3 2 PLC ± 0.2 3 PLC ± - 4 PLC ± - ANGLES ± 3°		APPLICATION SPEC 取付適用規格	SIZE A3	CAGE CODE 00779
MATERIAL 材料		WEIGHT	DRAWING NO 番号 G=2040478	SCALE 尺度 NTS
		CUSTOMER DRAWING	SHEET 3 OF 5	REV E1

4

3

2

1

THIS DRAWING IS UNPUBLISHED.

RELEASED FOR PUBLICATION

MAR ,2008.

© COPYRIGHT 2008 TE Connectivity Ltd.

ALL RIGHTS RESERVED.

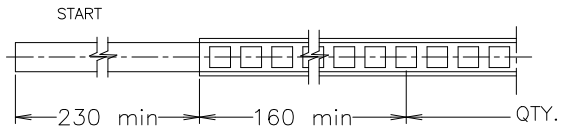
REVISIONS

変更

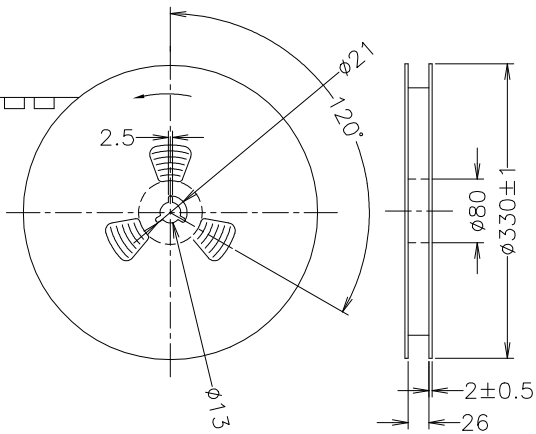
P	LTR	DESCRIPTION	DATE	DWN	APVD
-	-	SEE SHEET 1	-	-	-

NOTE

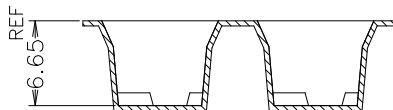
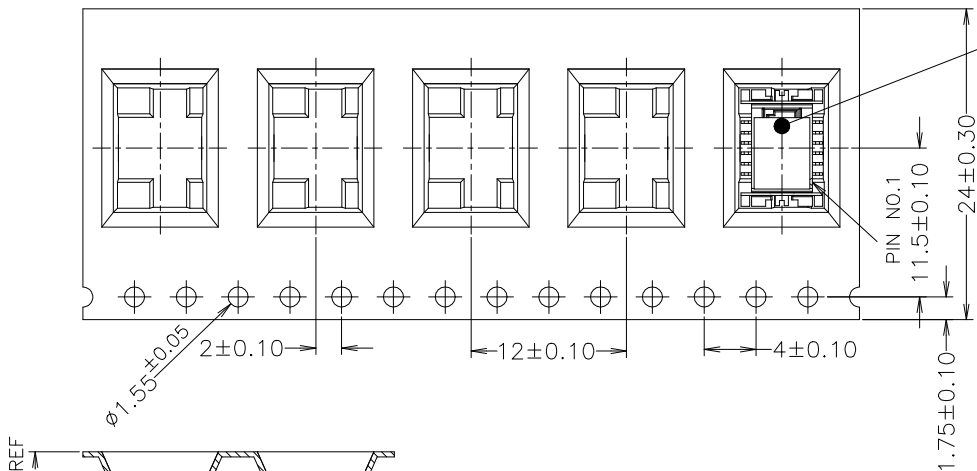
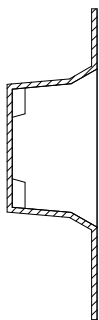
- MATERIAL
  - EMBOSSED CARRIER: PS
  - COVER TAPE: PS
  - SHIPPING CARTON: CORRUGATED FIBER
- DIMENSION
  - REEL: W=24.0
  - SHIPPING CARTON: L=350, W=350, H=350
- QUANTITY
  - PRIMARY PACKING: 700PCS/REEL
  - SECONDARY PACKING: 10 REELS/CARTON(7000PCS)Ⓢ
- WEIGHT
  - GROSS WEIGHT: 0.58kgf/REEL, 6.3kgf/CARTON.
- PEELING RESISTANCE: 30.0gf~120.0gf  
(PEELING SPEED: 300mm/minutes.)



FEED OUT DIRECTION



FEED OUT DIRECTION



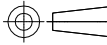
**OBSELETE**

AS SHOWN: 2-2040478-2, 3-2040478-2

THIS DRAWING IS A CONTROLLED DOCUMENT.

DIMENSIONS:  
単位: 耗  
mm

TOLERANCES UNLESS  
OTHERWISE SPECIFIED:  
一般公差



- 0 PLC ± 0.3
- 1 PLC ± 0.3
- 2 PLC ± 0.2
- 3 PLC ± -
- 4 PLC ± -
- ANGLES ± 3'

MATERIAL  
材料

FINISH  
仕上

DWN	H.FUKUZAKI	21MAR2008
CHK	T.YAMADA	21MAR2008
APVD	T.YAMADA	21MAR2008
PRODUCT SPEC	製品規格	108-78548
APPLICATION SPEC	取付適用規格	

TE Connectivity Ltd.		NAME 名称	
		BOARD TO BOARD 0.8mm PITCH 6.0HEIGHT VERTICAL, SMT TYPE	
SIZE	CAGE CODE	DRAWING NO 番号	RESTRICTED TO
A3	00779	G=2040478	
CUSTOMER DRAWING		SCALE 尺度	SHEET REV
		NTS	4 OF 5 E1

THIS DRAWING IS UNPUBLISHED.

RELEASED FOR PUBLICATION

MAR., 2008.

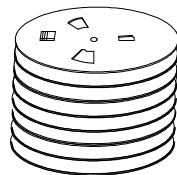
© COPYRIGHT 2008 TE Connectivity Ltd.

ALL RIGHTS RESERVED.

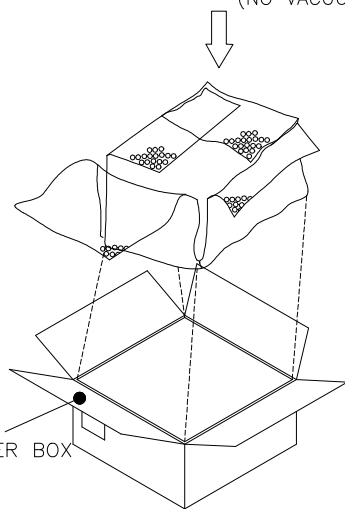
REVISIONS

P	LTR	DESCRIPTION	DATE	DWN	APVD
-	-	SEE SHEET 1	-	-	-

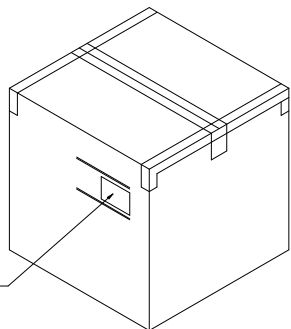
AS SHOWN: 1-2040478-2



10 x EACH REEL (NO VACUUM PACKED)



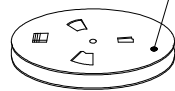
SHIPPER BOX



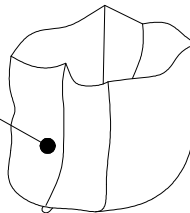
PASSING LABEL

AS SHOWN: 2-2040478-2  
3-2040478-2

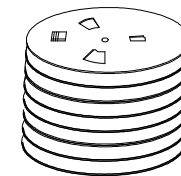
EMBOSS TAPE REEL



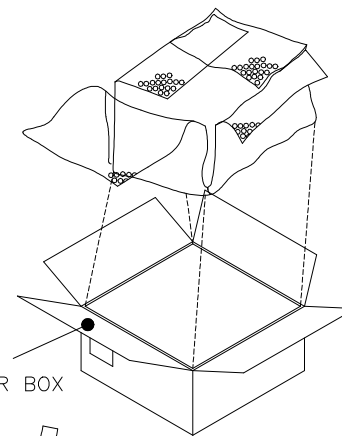
VINYL BAG



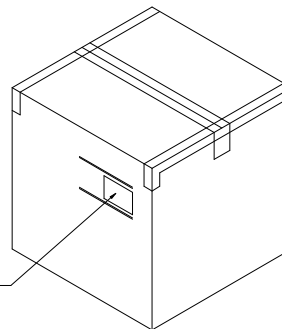
VACUUM PACKING FOR EACH REEL



10 x EACH VACUUM PACKED REEL



SHIPPER BOX



PASSING LABEL

**OBSOLETE**

THIS DRAWING IS A CONTROLLED DOCUMENT.		DWN H.FUKUZAKI 21MAR2008	TE Connectivity Ltd. BOARD TO BOARD 0.8mm PITCH 6.0HEIGHT VERTICAL, SMT TYPE	
DIMENSIONS: 単位: 耗 mm		CHK T.YAMADA 21MAR2008		
TOLERANCES UNLESS OTHERWISE SPECIFIED: 一般公差		APVD T.YAMADA 21MAR2008	NAME 名称	
0 PLC ± 0.3 1 PLC ± 0.3 2 PLC ± 0.2 3 PLC ± - 4 PLC ± - ANGLES ± 3°		PRODUCT SPEC 製品規格 108-78548	RESTRICTED TO	
MATERIAL 材料		APPLICATION SPEC 取付適用規格	SIZE A3	CAGE CODE 00779
FINISH 仕上		WEIGHT	DRAWING NO 番号 G=2040478	
		CUSTOMER DRAWING	SCALE 尺度 NTS	SHEET 5 OF 5
			REV E1	