

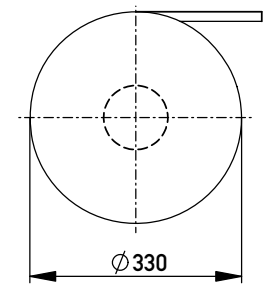
Anforderungsstufe 1  
*Performance Level 1*

Kontaktbereich vergoldet  
*Mating Area gold plating*

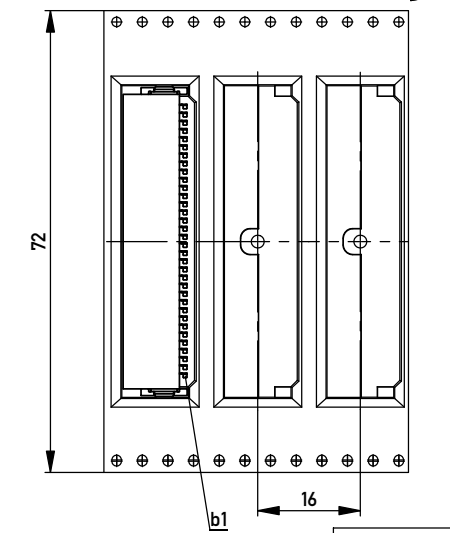
Anschlussbereich verzinkt 4-6 µm  
*Terminal Area 4-6 µm tin plating*

Koplanarität der Anschlüsse ≤ 0,1 mm  
*Coplanarity Area of Termination ≤ 0,1 mm*

Verpackt im Gurt nach DIN IEC 60286-3  
*Tape on Reel Packaging according to DIN IEC 60286-3*  
Verpackungseinheit: 560 Stück  
*Packaging unit: 560 pcs*



Abspulrichtung - *Reel off Direction* →



BA7-03 - Standard Bauhöhe  
*type7-03 - Standard Assembly Height*

Information:	Tolerances	 All Dimensions in mm	Scale	3:1	
	All rights reserved. Only for Information. To ensure that this is the latest version of this drawing, please contact one of the ERNI companies before using.		Designation		
Subject to modification without prior notice. Drawing will not be updated.	www.ERNI.com		<b>Messertl. SMC-B 68-SMD-BA7-03</b> <i>Male SMC-B 68-SMD-type7-03</i>		
	e	25.06.2015	154766		I
Index	Date	Class		SMCB	
				A3	

Copyright by ERNI GmbH  
Proprietary notice pursuant to ISO 9006 to be observed.