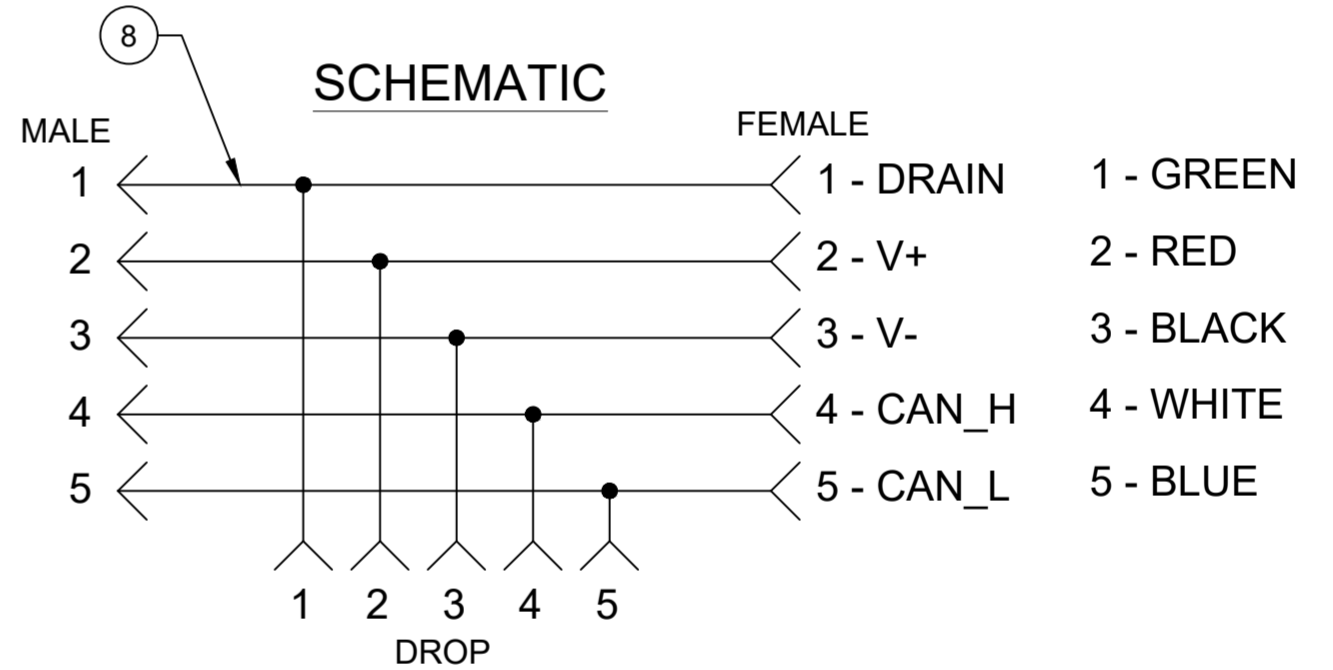
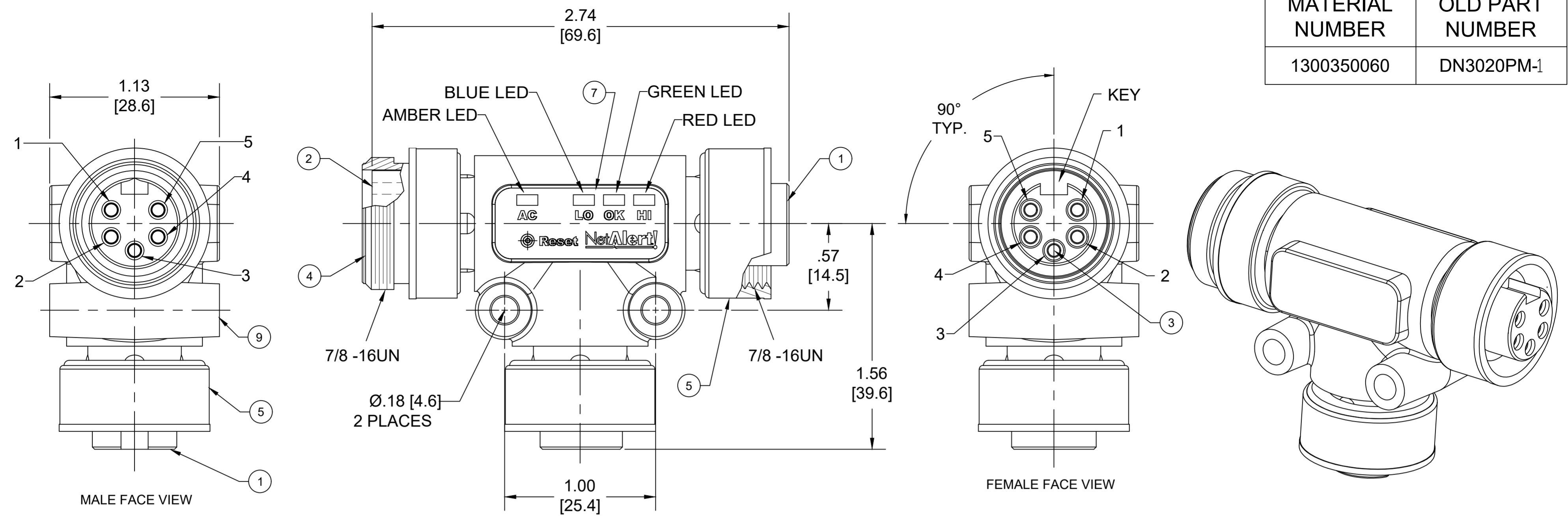


MATERIAL NUMBER	OLD PART NUMBER
1300350060	DN3020PM-1



- NOTES:
- MATERIAL: AS NOTED
  - FINISH: AS NOTED
  - ELECTRICAL:  
VOLTAGE RATING: 30VDC (D1)  
CURRENT: 8A
  - TEMP RATING: -20° TO +105°C
  - PROTECTION: IP67 (WHEN MATED)
  - COUPLING THREAD- AS NOTED
  - UL RECOGNIZED FILE: E152210
  - ALL DIMENSIONS ARE FOR REFERENCE UNLESS TOLERANCED OR NOTED OTHERWISE

LED FUNCTIONALITY:

- SOLID GREEN LED = BUS VOLTAGE >12.90 AND <=24.78
- FLASHING GREEN LED = BUS VOLTAGE WITHIN LIMITS OF SOLID GREEN OPERATION, BUT POWER HAS BEEN CYCLED WITHIN PREVIOUS 24 HRS
- FLICKERING RED LED = BUS VOLTAGE >24.78 (GREATER THAN 25.3 TO GUARANTEE DETECTION)
- FLASHING RED LED = BUS VOLTAGE >24.78 (25.3) WITHIN PREVIOUS 24 HRS
- FLICKERING BLUE LED = BUS VOLTAGE <12.90 (12.4)
- FLASHING BLUE LED = BUS VOLTAGE <12.90 (12.4) WITHIN PREVIOUS 24 HRS
- FLICKERING AMBER LED = BUS VOLTAGE HAS A REPEATED TRANSIENT VOLTAGE (BETWEEN 10Hz AND 250Hz) PRESENT THAT EXCEEDS THE DETECTION THRESHOLD (THRESHOLD LEVEL VARIES BY FREQUENCY)
- FLASHING AMBER LED = BUS VOLTAGE HAS EXPERIENCED A TRANSIENT OR RIPPLE AS SPECIFIED FOR FLICKERING AMBER CONDITION WITH PREVIOUS 24 HRS}

9	OVERMOLD	TPC	GRAY
8	WIRE, 18AWG, UL 1015	PVC INSULATION	SEE SCHEMATIC
7	D-NET TEE LENS ASSY.	POLYCARBONATE	CLEAR
6	CONTACT SOCKET	COPPER ALLOY	GOLD PLATED
5	COUPLING NUT INT. THD	ZINC DIE-CAST	BLACK E-COAT
4	COUPLING NUT EXT. THD	ZINC DIE-CAST	BLACK E-COAT
3	CONTACT PIN/SOCKET	COPPER ALLOY	GOLD PLATED
2	MALE INSERT 5P	TPE	BLACK
1	FEMALE INSERT 5P	TPE	BLACK
ITEM	DESCRIPTION	MATERIAL	FINISH

THIS DRAWING CONTAINS INFORMATION THAT IS PROPRIETARY TO MOLEX ELECTRONIC TECHNOLOGIES, LLC AND SHOULD NOT BE USED WITHOUT WRITTEN PERMISSION

FUNCTIONAL SYMBOLS	DIMENSION UNITS	SCALE	CURRENT REV DESC: ELECTRICAL SPECS CHANGED BACK TO 30VDC, 8A
FA=0	INCH/MM	NTS	
EC=0	GENERAL TOLERANCES (UNLESS SPECIFIED)		
EP=0	mm	INCH	
DIVISIONAL SYMBOLS	4 PLACES ±----	±----	EC NO: 697910
	3 PLACES ±----	±----	DRWN: RSTONE 2022/02/28
	2 PLACES ±----	±0.01	CHK'D: MZIELINSKI 2022/03/15
	1 PLACE ±----	±----	APPR: BWOODMAN 2022/03/18
	0 PLACES ±----	±----	INITIAL REVISION:
	ANGULAR TOL ± ---- °		DRWN: BWOODMAN 2009/08/21
	DRAFT WHERE APPLICABLE MUST REMAIN WITHIN DIMENSIONS	THIRD ANGLE PROJECTION	APPR: JFMURPHY 2009/08/27

MINI-CHANGE DNET, A SIZE.  
5 POLE, MALE-FEMALE, POWER MONITOR TEE, SINGLE KEY, 18 AWG

PRODUCT CUSTOMER DRAWING

DOCUMENT NUMBER: SD-130035-005    DOC TYPE/DOC PART REVISION: PSD 001 D1

MATERIAL NUMBER: SEE CHART    CUSTOMER: GENERAL MARKET    SHEET NUMBER: 1 OF 1