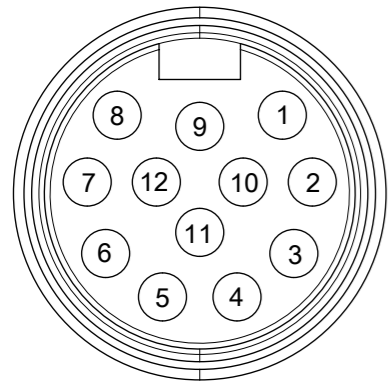


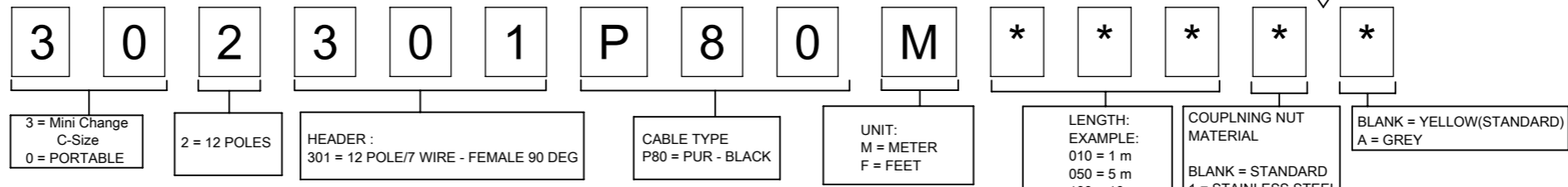
12P C SIZE FE



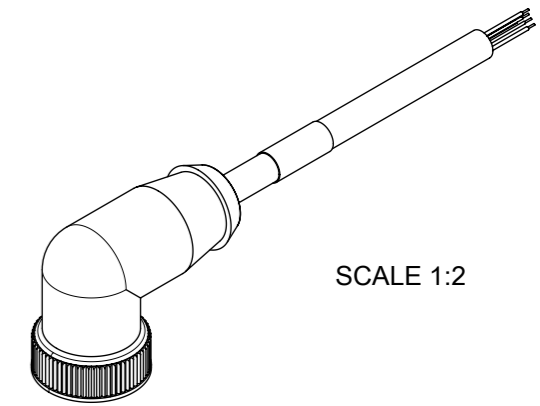
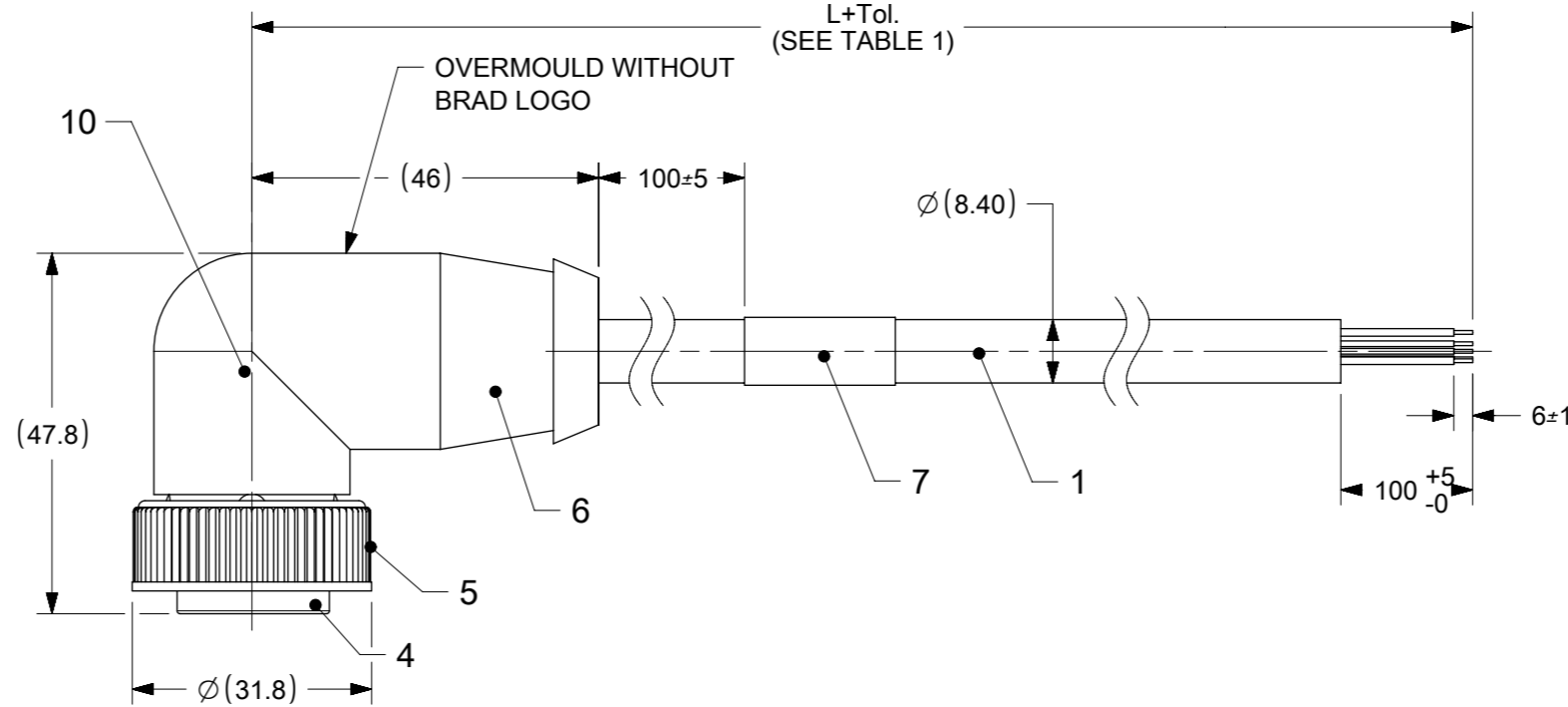
VIEW FROM FRONT SIDE

PIN	WIRE COLOR
1	WHITE
2	GREEN
3	YELLOW
4	GRAY
5	NO CONNECTION
6	NO CONNECTION
7	NO CONNECTION
8	NO CONNECTION
9	GREEN/YELLOW
10	BROWN
11	BLUE
12	NO CONNECTION

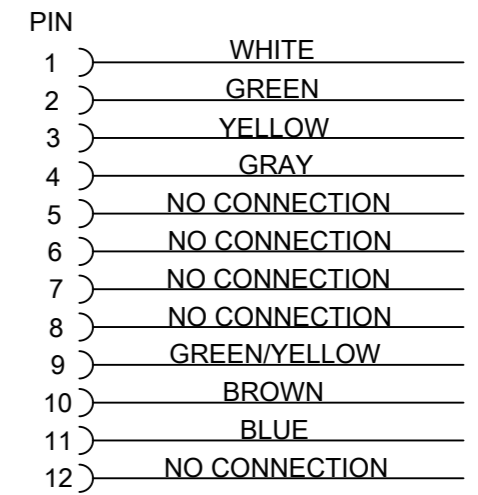
KLUCZ / PART No MATRIX



OPTIONS

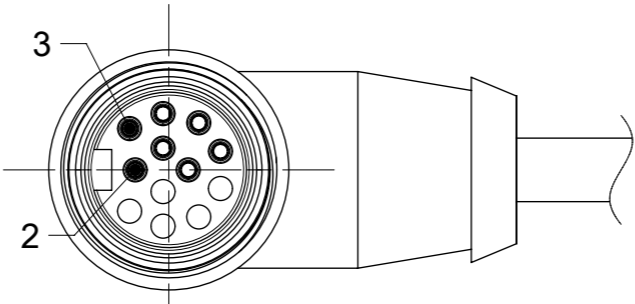


WIRING DIAGRAM



TECHNICAL SPECIFICATION:

VOLTAGE RATING : 300V AC/DC
 AMPERAGE RATING : 2 AMPS
 PROTECTION : IP67
 OPERATING TEMPRATURE : -20°C TO +90°C



CABLE SPECIFICATION:

CABLE TYPE	CROSS SECTION	UE DIRECTIVE	Pb FREE	STATIC TEMP	DYNAMIC TEMP	VOLTAGE RATING	TEST VOLATGE	STANDARD
P80	0.75mm ² (3X) 19 AWG 0.34mm ² (4X) 22 AWG	2002/95/CE(RoHS)	YES, CEI 50-52/98	-40°C TO +90°C	-15°C TO +90°C	300V (ONLY FOR ELECTRONIC USE)	2500V	CL.6(VDE 0295)

BOM

ITEM	QTY.	DESCRIPTION	MATERIAL	FINISH / COLOR
1	-	CABLE	PUR	BLACK
2	3	CONTACT ASSEMBLY(0.75mm)	-	-
3	4	CONTACT ASSY(0.34/0.5MM)	-	-
4	1	INSERT	PVC	YELLOW
5	1	COUPLING NUT	ZINC ALLOY ZA-3	ELECTROPHORETIC BLACK
6	-	MOULDING MATERIAL	PVC	YELLOW
7	-	LABEL	VINYL	YELLOW

TABLE 1

MOLEX P/N	ENGINEERING No.	L+Tol.(mm)
1300080477	302301P80M050	5000+165
1300088009	302301P80M100	10000+317

THIS DRAWING CONTAINS INFORMATION THAT IS PROPRIETARY TO MOLEX ELECTRONIC TECHNOLOGIES, LLC AND SHOULD NOT BE USED WITHOUT WRITTEN PERMISSION

SYMBOLS

▽ = 0	mm	SCALE 1:1
▽ = 0	GENERAL TOLERANCES (UNLESS SPECIFIED)	
▽ = 0	ANGULAR TOL ± 1.0°	
▽ = 0	4 PLACES	±
▽ = 0	3 PLACES	±
▽ = 0	2 PLACES	± 0.05
▽ = 0	1 PLACE	± 0.3
▽ = 0	0 PLACES	± 0.5
■ = 0	DRAFT WHERE APPLICABLE MUST REMAIN WITHIN DIMENSIONS	
▽ = 0	THIRD ANGLE PROJECTION	

CURRENT REV DESC: REDRAWN IN NX

EC NO: 604913
 DRWN: SSM 2018/09/21
 CHK'D: RSILLER 2018/09/25
 APPR: RSILLER 2018/09/25

INITIAL REVISION:
 DRWN: SSM 2018/09/21
 APPR: RSILLER 2018/09/25

molex

MC 12P M.CONN 5M PVC MIC 4 PORT MPIS

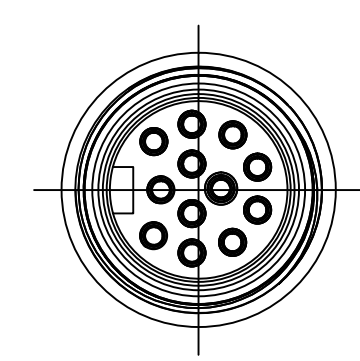
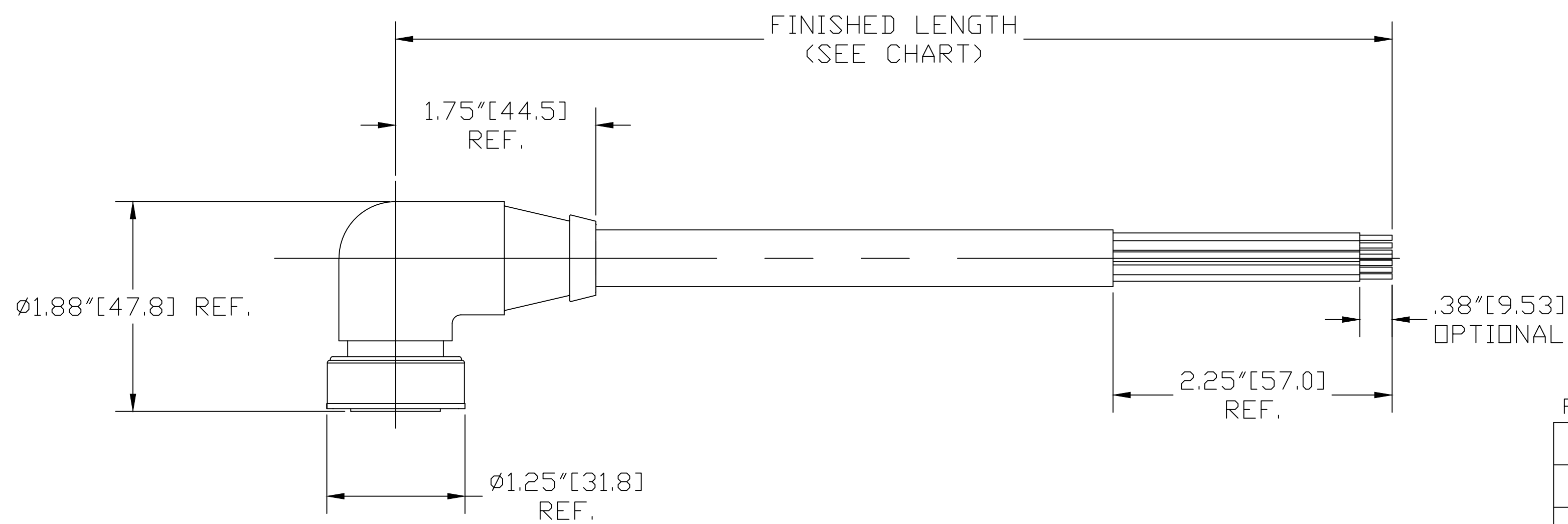
PRODUCT CUSTOMER DRAWING

DOCUMENT NUMBER: 1300080477
 DOC TYPE: PSD
 DOC PART: 000
 REVISION: A

MATERIAL NUMBER: SEE TABLE 1
 CUSTOMER: GENERAL MARKET
 SHEET NUMBER: 1 OF 1

DRAWING: A3-SIZE
 SERIES: 130008

13	12	11	10	9	8	7	6	5	4	3	2	1
MATERIAL NUMBER	OLD PART NUMBER	FINISHED LENGTH										
130008-8009	302301P80M100	32.81' +12.50" -0 [10.0M +317.5mm -0]										



302301P80M100

Wire type
18/22 AWG
Black PUR

cable length
M020----2 Meter
M100----10 Meter

CONTACT:	BRASS, GOLD PLATED
INSERT:	PVC, BLACK
COUPLING NUT:	ZINC DIE CAST, BLACK E-COATED
MOLDED BODY:	PVC, YELLOW
VOLTAGE RATING:	300 VAC/VDC
AMPERAGE RATING:	2 AMPS
PROTECTION:	IP67
OPERATING TEMPERATURE:	-20°C TO 105°C

P1	
1	WHITE
2	GREEN
3	YELLOW
4	GRAY
5	NO CONNECTION
6	NO CONNECTION
7	NO CONNECTION
8	NO CONNECTION
9	GREEN/YELLOW
10	BROWN
11	BLUE
12	NO CONNECTION

WIRING DIAGRAM

FEMALE INSERT FRONT VIEW

- 1-WHITE
- 2-GREEN
- 3-YELLOW
- 4-GRAY
- 5-NO CONNECTION
- 6-NO CONNECTION
- 7-NO CONNECTION
- 8-NO CONNECTION
- 9-GREEN/YELLOW
- 10-BROWN
- 11-BLUE
- 12-NO CONNECTION

INITIAL RELEASE EC NO: IPG2013-1910 DRWN: EBRACKEN 2013/06/19 CHKD: RSTONE APPR: BWOODMAN2013/08/14	REV A	DESCRIPTION ---	QUALITY SYMBOL ▽=0 ▽=0	GENERAL TOLERANCES (UNLESS SPECIFIED)		DIMENSION STYLE		SCALE	DESIGN UNITS	THIRD ANGLE PROJECTION				
						IN/MM		---	INCH					
					mm	INCH	DRAWN BY	DATE	TITLE					
				4 PLACES	±---	±---	EBRACKEN	2013/06/18	MINI-CHANGE ASSEMBLY 12 POLE/7W, FEMALE 90D #18/#22 PUR, DC COLOR					
3 PLACES	±---	±.005	CHECKED BY	DATE										
2 PLACES	±0.13	±.010	RSTONE	----										
1 PLACE	±0.25	±.020	APPROVED BY	DATE										
		ANGULAR ±.5°		BWOODMAN	2013/08/14									
DRAFT WHERE APPLICABLE MUST REMAIN WITHIN DIMENSIONS				MATERIAL NO.		DOCUMENT NO.		SHEET NO.						
				SEE CHART		SD-130008-024		1 OF 1						
				SIZE	THIS DRAWING CONTAINS INFORMATION THAT IS PROPRIETARY TO MOLEX INCORPORATED AND SHOULD NOT BE USED WITHOUT WRITTEN PERMISSION									
				C										