

molex[®] PACKAGING SPECIFICATION

1.25MM PITCH WIRE TO BOARD R/A CONN.

1.0 SCOPE

THIS PRODUCT SPECIFICATION COVERS THE 1.25MM WIRE TO BOARD CONNECTOR. 5P, 10P, 15P, 15P(PIN VOID) 20P, 25P

(본 제품 사양서는 1.25MM WIRE TO BOARD CONN. 5P, 10P, 15P, 15P(PIN VOID), 20P, 25P 에 대하여 규정한다)

2.0 PRODUCT DESCRIPTION

제품 번호(PART NUMBER) :

포장 전 제품 번호 (BEFORE PACKING)		포장 후 제품 번호 (AFTER PACKING)
5P	104091-0520	104091-0520
10P	104091-1020	104091-1020
15P	104091-1520	104091-1520
15P (PIN VOID)	104091-1530	104091-1530
20P	104091-2020/2030	104091-2020/2030
25P	104091-2520	104091-2520

3.0 표준 포장 수량(PACKING QUANTITY)

CKT	EMBOSS TAPE			REEL		CARTON BOX	
	CARRIER		TOP			ENG. NO. 35909-0082	
	WIDT H	ENG. No.	ENG. No.	ENG. No.	Q'TY	REEL Q'TY	Q'TY (TOTAL)
5	24	104091-9901	35902-0028	35908-1012	1,500	6	9,000
10	32	104091-9902	35902-1011	35908-1013	1,500	4	6,000
15	44	104091-9904	35902-0012	35908-1014	1,500	4	6,000
15(Pin Void)	44	104091-9904	35902-0012	35908-1014	1,500	4	6,000
20	44	104091-9903	35902-0012	35908-1014	1,500	4	6,000
25	56	104091-9905	35902-0013	35908-1015	1,500	3	4,500

REVISION: B3	ECR/ECN INFORMATION: EC No: ****-**** DATE: 2016/ 11/ 15	TITLE: 1.25MM WIRE TO BOARD CONN. (104091 SERIES) PACKAGING SPECIFICATION.	SHEET No. 1 of 2
DOCUMENT NUMBER: PK-104091-001	CREATED / REVISED BY: SC.HONG03	CHECKED BY: SH.CHU	APPROVED BY: YSOO.KIM

molex[®] PACKAGING SPECIFICATION

4.0 라벨 사양(LABEL SPECIFICATION)

CKT	Current Rating	Voltage Rating	해외인증
5,10,15,20,25	1.5A Max.	200V Max.	---
15P(Pin Void)	1.5A Max.	450V Max. ※ 200V 적용은 15P 모든 단자가 Harnessed 된 제품에만 적용	---

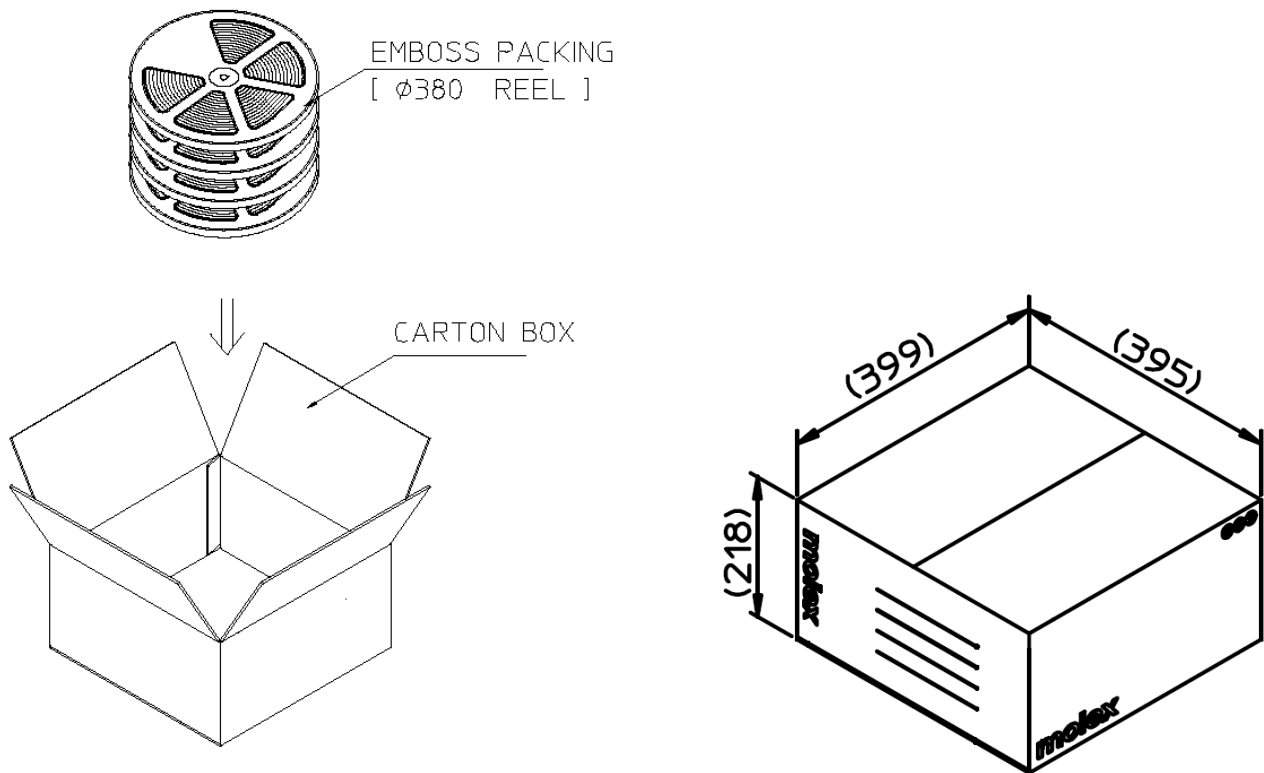
5.0 NOTE

- 포장 평가는 ES40000-7001에 따르고, LEVEL II 기준 1을 적용한다
(ESTIMATE : APPLIED TO ES-40000-7001 AND LEVEL II, CRITERION 1)

6.0 PROCEDURE

- PACKING INSTRUCTIONS : 해당 BOX에 PACKING 된 REEL을 넣고 포장한다.

[Packing Process]



[Packing Completion]

REVISION: B3	ECR/ECN INFORMATION: EC No: ****_**** DATE: 2016/ 11/ 15	TITLE: 1.25MM WIRE TO BOARD CONN. (104091 SERIES) PACKAGING SPECIFICATION.	SHEET No. 2 of 2
DOCUMENT NUMBER: PK-104091-001	CREATED / REVISED BY: SC.HONG03	CHECKED BY: SH.CHU	APPROVED BY: YSOO.KIM