

MATERIALS AND FINISHES

BODY: STAINLESS STEEL
PLATED GOLD

CENTER CONTACT: BERYLLIUM COPPER
PLATED GOLD

FLANGE BODY: STAINLESS STEEL
PASSIVATE

RETAINING RING: CARBON STEEL
PLATED NICKEL

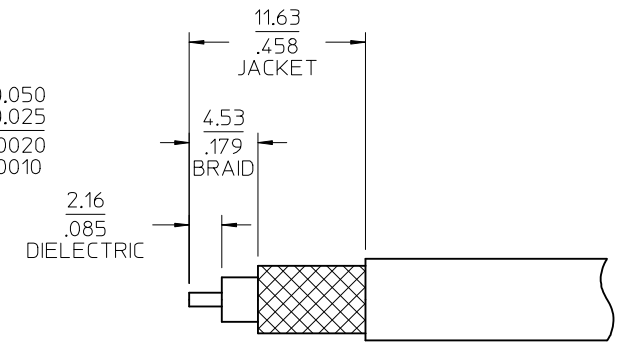
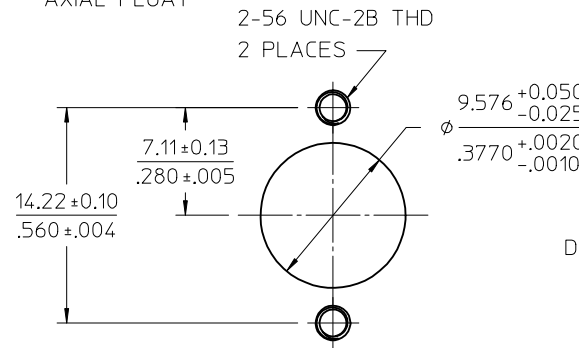
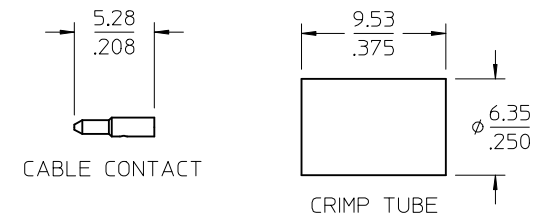
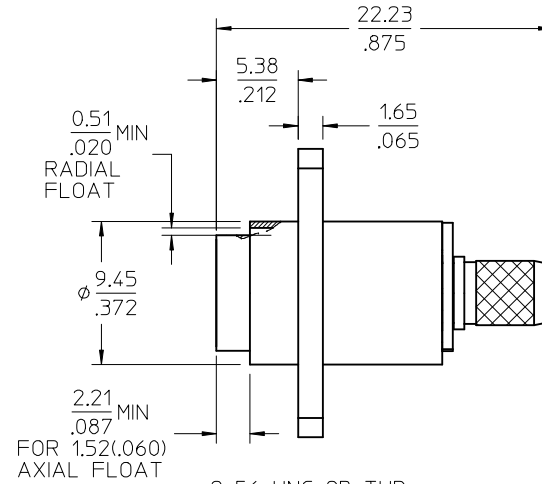
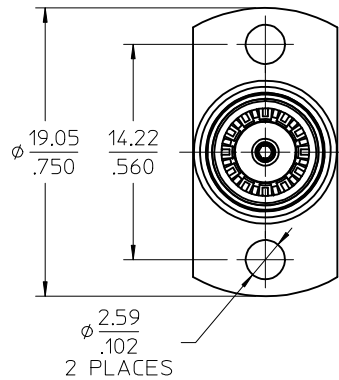
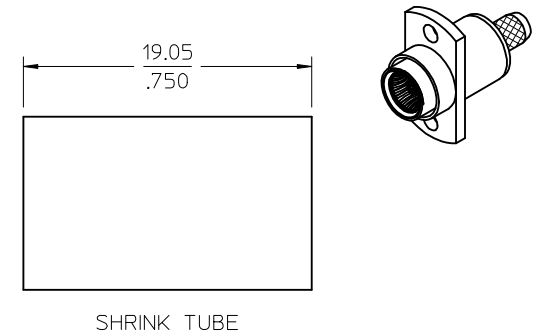
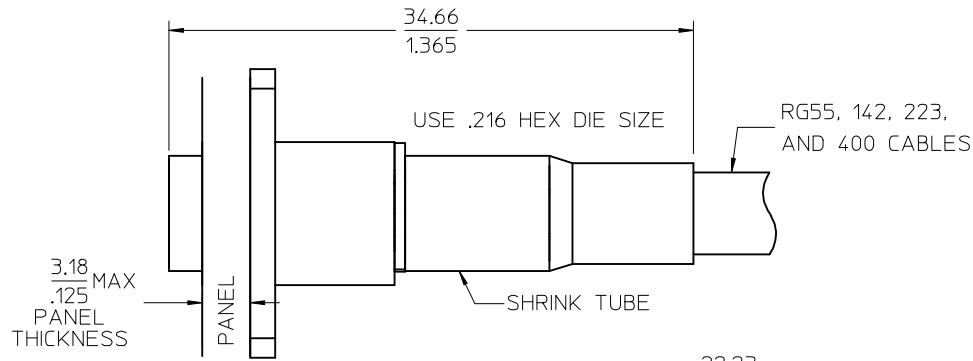
CABLE CONTACT, CONTACT COVER: BRASS
PLATED GOLD

WASHER, CRIMP TUBE: BRASS
PLATED NICKEL

SPRING: STEEL
PLATED NICKEL

INSULATOR: TEFLON

HEX DIE SIZE: .216"



RECOMMENDED MOUNTING HOLE PATTERN

CABLE PREP DIMENSION

73298-0021	-0020, ONE PER BAG
73298-0020	100 PER BAG
PART NO	PACKAGING

PS-89675-1870	ELEC/MECH PERFORMANCE
MIL-STD-348A, FIG. 321.2	INTERFACE
SPECIFICATION	DESCRIPTION

CHG/UPDATED VIEWS PER RF15-E307	EC NO: URF2016-0160	DRWNR/YEH	CHKD:	APPR: YCHENG	DESCRIPTION
	2015/09/02				

QUALITY SYMBOLS	GENERAL TOLERANCES (UNLESS SPECIFIED)
▽=0	mm INCH
▽=0	4 PLACES ± --- ± ---
▽=0	3 PLACES ± --- ± ---
	2 PLACES ± --- ± ---
	1 PLACE ± --- ± ---
	0 PLACE ± ±
	ANGULAR ± 2 °
	DRAFT WHERE APPLICABLE MUST REMAIN WITHIN DIMENSIONS

DIMENSION STYLE	SCALE	DESIGN UNITS	THIRD ANGLE PROJECTION
MM/IN	4:1	METRIC	
DRAWN BY	DATE	TITLE	
TEF	2003/12/05	BMA JACK, 2H FLG, FLOAT MT FOR RG55 CABLE, 50 OHMS EWR-2217 BMA-JC/F	
CHECKED BY	DATE		
SSS	2003/12/05		
APPROVED BY	DATE		
GMH	2003/12/05		
MATERIAL NO.	DOCUMENT NO.	SHEET NO.	
SEE TABLE	SD-73298-002	1 OF 1	
SIZE	THIS DRAWING CONTAINS INFORMATION THAT IS PROPRIETARY TO MOLEX INCORPORATED AND SHOULD NOT BE USED WITHOUT WRITTEN PERMISSION		