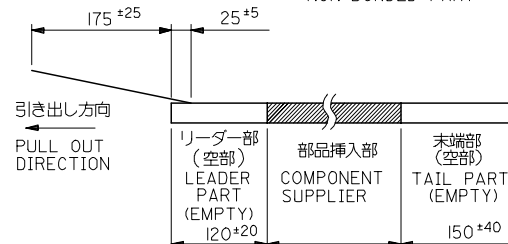


注記 NOTES

1. 梱包数量：1000個/リール NUMBER OF CONNECTORS:1000PCS/REEL

2. リードテープ長さ LEAD TAPE LENGTH

トップテープ リーダー部 TOP TAPE LEADER PART  
トップテープ 未接着部 TOP TAPE NON-BONDED PART



3. トップテープの剥離強度：(剥離方向は下図参照)

0.1N~1.3N {10gf~130gf}

尚、本規格値は、出荷時に適用。

(但し、輸送時に剥離が発生しない事。)

PEELING OFF FORCE OF TOP TAPE

0.1N~1.3N {10gf~130gf}

(PEELING DIRECTION AS SHOWN IN FOLLOWING FIG.)

THIS REQUIREMENT SHOULD BE APPLIED AT SHIPMENT

PEEL OFF SHOULD NOT BE ALLOWED,

DURING TRANSPORTATION

引き出し方向 PULL OUT DIRECTION

10°

剥離方向 PEEL OFF DIRECTION

4. 材料

キャリアテープ：ポリプロピレン (PP)

トップテープ：PET, PE, PEF

リール：ポリスチレン (PS)

<リサイクル材を含む>

MATERIAL CARRIER TAPE:POLYPROPYLENE

TOP TAPE:PET,PE,PEF

REEL:POLYSTYRENE(PS)

<RECYCLE MATERIAL CONTAINED>

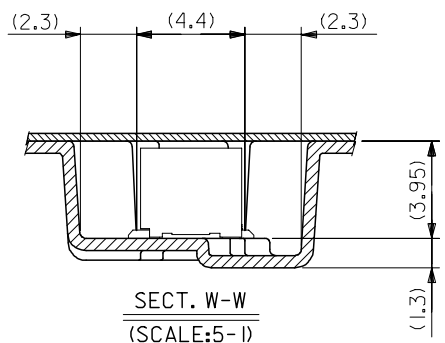
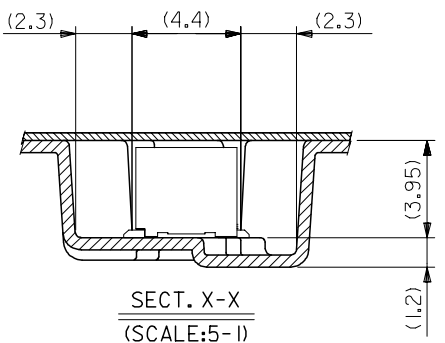
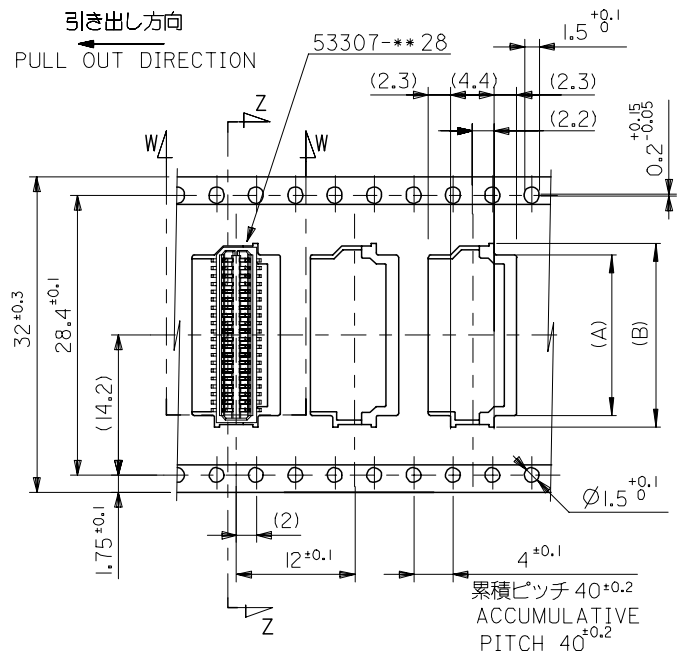
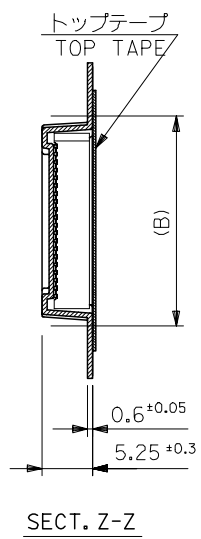
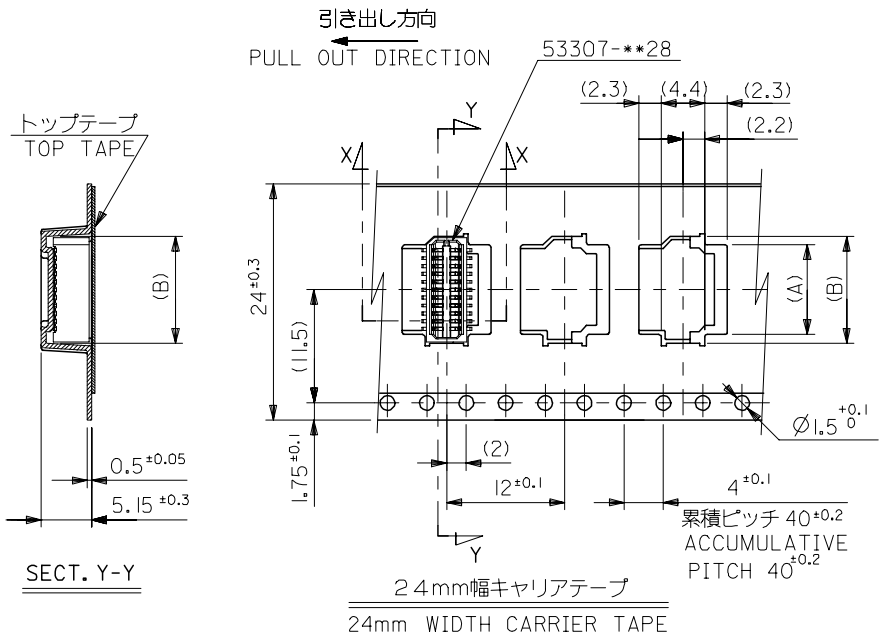
5. 本製品は 53307-\*\*\*91 の鉛フリー品である。

THIS PRODUCT IS LEAD FREE OF 53307-\*\*\*91

53307-***91 MODEL.NO.	キャリアテープ幅 CARRIER TAPE WIDTH	D	C	(B)	(A)	MATERIAL. NO.	9.3	7.5	53307-1871	18
							8.5	6.7	53307-1671	16
							7.7	5.9	53307-1471	14
							6.9	5.1	53307-1271	12
							6.1	4.3	53307-1071	10
							極数 CIRCUIT			

REVISED EC NO: J2006-0187 DRWN: OTANI CHKD: NUKITA APPR: NUKITA	DESCRIPTION 2005/08/01 2005/08/02 2005/08/18	GENERAL TOLERANCES (UNLESS SPECIFIED)		DIMENSION STYLE MM ONLY		SCALE ---	DESIGN UNITS METRIC	THIRD ANGLE PROJECTION		
		10 UNDER	±0.2	DRAWN BY HSHIMABUKURO	DATE 2004/02/09	TITLE 0.8 B-TO-B WAFER ASSY SMT EMBSTP PKG -LEAD FREE-				
		10 OVER 30 UNDER	±0.25	CHECKED BY KTOJO	DATE 2004/02/09	MOLEX INCORPORATED				
		30 OVER	±0.3	APPROVED BY MSASAO	DATE 2004/02/09	DOCUMENT NO. SD-53307-014				
		ANGULAR	±3 °	MATERIAL NO. SEE CHART		SHEET NO. 1 OF 2				
DRAFT WHERE APPLICABLE MUST REMAIN WITHIN DIMENSIONS		SIZE A3		THIS DRAWING CONTAINS INFORMATION THAT IS PROPRIETARY TO MOLEX INCORPORATED AND SHOULD NOT BE USED WITHOUT WRITTEN PERMISSION						

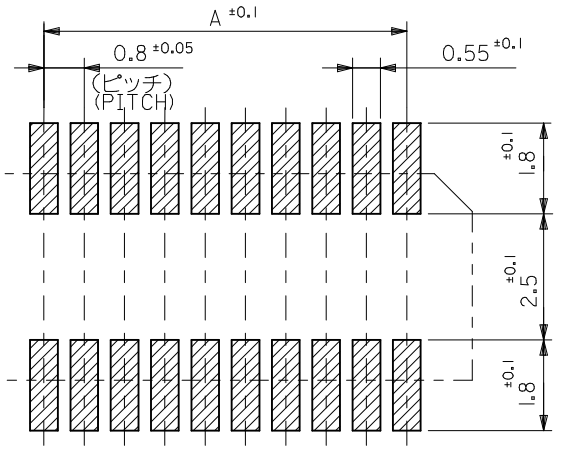
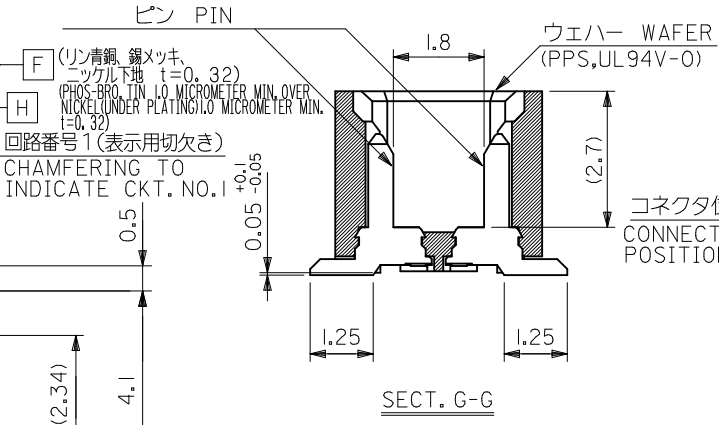
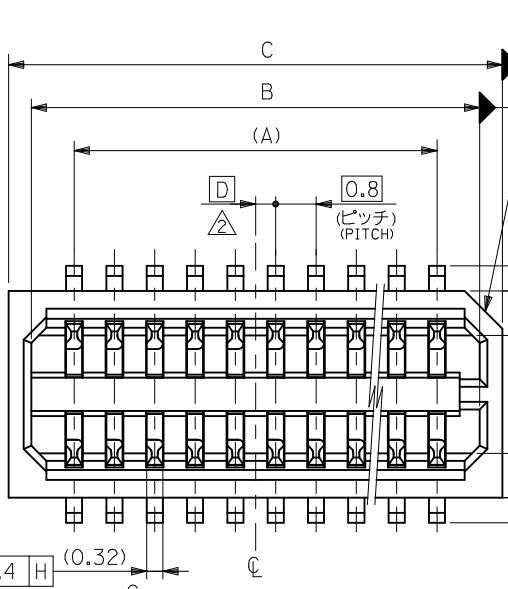
10 9 8 7 6 5 4 3 2 1



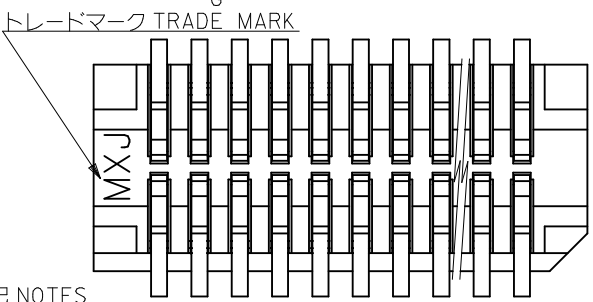
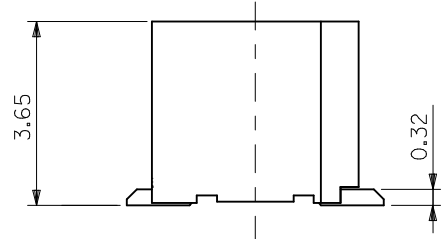
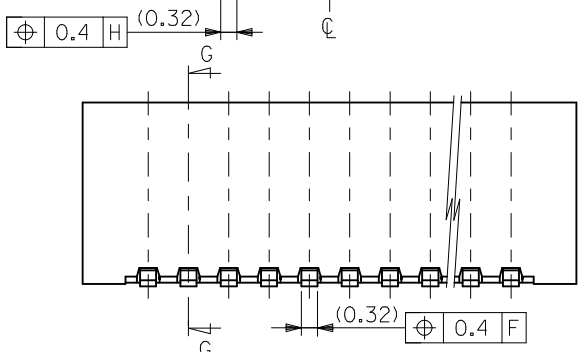
32	37.4	33.4	18.1	16.3	53307-4071	40
24	29.4	25.4	16.5	14.7	53307-3671	36
			15.7	13.9	53307-3471	34
			14.1	12.3	53307-3071	30
			13.3	11.5	53307-2871	28
			12.5	10.7	53307-2671	26
			11.7	9.9	53307-2471	24
			10.9	9.1	53307-2271	22
			10.1	8.3	53307-2071	20

53307-***71	キャリアテープ幅	D	C	(B)	(A)	MATERIAL. NO.	極数
MODEL NO.	CARRIER TAPE WIDTH						CIRCUIT

REVISED EC NO: J2006-0187 DRWN: YOTANI CHK: DANUKITA APPR: NUKITA 2005/08/01 2005/08/02 2005/08/18	GENERAL TOLERANCES (UNLESS SPECIFIED)		DIMENSION STYLE MM ONLY		SCALE ---	DESIGN UNITS METRIC	THIRD ANGLE PROJECTION
	10 UNDER	±0.2	DRAWN BY HSHIMABUKURO	DATE 2004/02/09	TITLE 0.8 B-TO-B WAFER ASSY SMT EMBSTP PKG -LEAD FREE-		
	10 OVER 30 UNDER	±0.25	CHECKED BY KTOJO	DATE 2004/02/09	MOLEX INCORPORATED		
	30 OVER	±0.3	APPROVED BY MSASAO	DATE 2004/02/09	MATERIAL NO.	DOCUMENT NO. SD-53307-014	SHEET NO. 2 OF 2
	ANGULAR	±3 °	SEE CHART				
DRAFT WHERE APPLICABLE MUST REMAIN WITHIN DIMENSIONS		THIS DRAWING CONTAINS INFORMATION THAT IS PROPRIETARY TO MOLEX INCORPORATED AND SHOULD NOT BE USED WITHOUT WRITTEN PERMISSION					



参考基板レイアウト (マウント面)  
P.C.B. PATTERN LAYOUT (REF.) (MOUNT AREA)

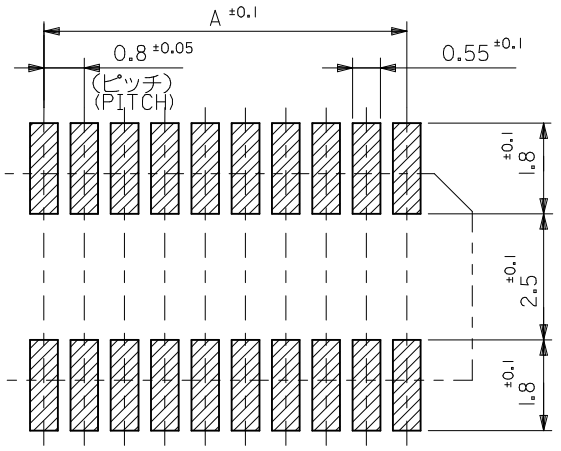
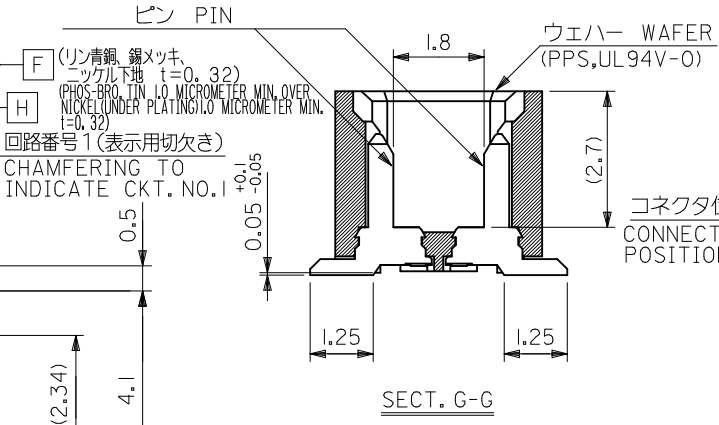
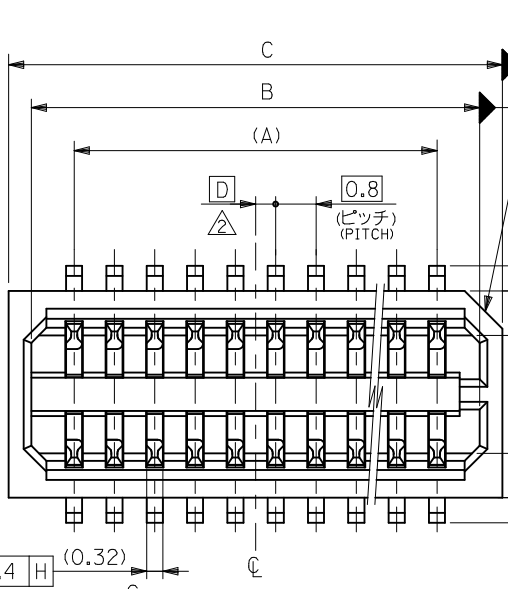


注記 NOTES

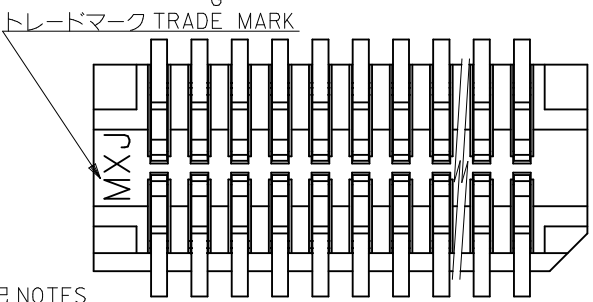
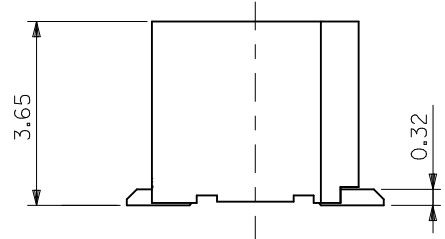
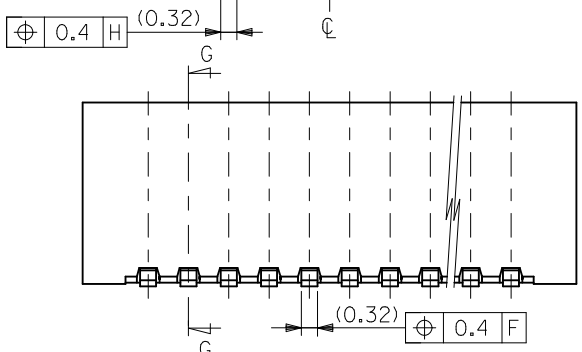
- 1 嵌合相手: 52465,52588  
MATE WITH: 52465,52588 SERIES
- 2 △ ウエハの  $\phi$  から隣接するピンの  $\phi$  迄の位置を示す。  
SHOW POSITION FROM  $\phi$  OF WAFER TO  $\phi$  OF ADJACENT PINS.
- 3 本製品は 53307-\*\*-27 の鉛フリー品である。  
THIS PRODUCT IS LEAD FREE OF 53307-\*\*-27

0.4	17.8	16.9	15.2	53307-4028	40
0.8	17.0	16.1	14.4	-3828	38
0.4	16.2	15.3	13.6	-3628	36
0.8	15.4	14.5	12.8	-3428	34
0.4	14.6	13.7	12.0	-3228	32
0.8	13.8	12.9	11.2	-3028	30
0.4	13.0	12.1	10.4	-2828	28
0.8	12.2	11.3	9.6	-2628	26
0.4	11.4	10.5	8.8	-2428	24
0.8	10.6	9.7	8.0	-2228	22
0.4	9.8	8.9	7.2	-2028	20
0.8	9.0	8.1	6.4	-1828	18
0.4	8.2	7.3	5.6	-1628	16
0.8	7.4	6.5	4.8	-1428	14
0.4	6.6	5.7	4.0	-1228	12
0.8	5.8	4.9	3.2	53307-1028	10

REVISED		DESCRIPTION		GENERAL TOLERANCES (UNLESS SPECIFIED)		DIMENSION STYLE		SCALE		DESIGN UNITS		MATERIAL NO. 極数 CKT.	
EC NO: J2010-1410		2010/01/12		10 UNDER ±0.2		MM ONLY		---		METRIC		53307-**-28	
DRWN: TOSHIMA		2010/01/12		10 OVER 30 UNDER ±0.25		DRAWN BY DATE		TITLE		THIRD ANGLE PROJECTION		MODEL NO.	
CHKD: SMARUYAMA		2010/01/12		30 OVER ±0.3		HSHIMABUKURO 2004/02/09		0.8 B/B CONN WAFER ASSY		D		C	
APPR: MSASAO		2010/01/20		ANGULAR ±3 °		CHECKED BY DATE		ST SMT		B		A	
REV		D		DRAFT WHERE APPLICABLE MUST REMAIN WITHIN DIMENSIONS		KTOJO 2004/02/09		-LEAD FREE-		A		MATERIAL NO. 極数 CKT.	
						APPROVED BY DATE		MOLEX INCORPORATED		A		53307-1028	
						MSASAO 2004/02/09		SEE CHART		SD-53307-015		1 OF 2	
						MATERIAL NO.		THIS DRAWING CONTAINS INFORMATION THAT IS PROPRIETARY TO MOLEX INCORPORATED AND SHOULD NOT BE USED WITHOUT WRITTEN PERMISSION		SHEET NO.		EN-02JA(021)	



参考基板レイアウト (マウント面)  
P.C.B. PATTERN LAYOUT (REF.) (MOUNT AREA)



注記 NOTES

- 1 嵌合相手: 52465,52588  
MATE WITH: 52465,52588 SERIES
- 2 △ ウエハの  $\phi$  から隣接するピンの  $\phi$  迄の位置を示す。  
SHOW POSITION FROM  $\phi$  OF WAFER TO  $\phi$  OF ADJACENT PINS.
- 3 本製品は 53307-\*\*-27 の鉛フリー品である。  
THIS PRODUCT IS LEAD FREE OF 53307-\*\*-27

0.4	17.8	16.9	15.2	53307-4028	40
0.8	17.0	16.1	14.4	-3828	38
0.4	16.2	15.3	13.6	-3628	36
0.8	15.4	14.5	12.8	-3428	34
0.4	14.6	13.7	12.0	-3228	32
0.8	13.8	12.9	11.2	-3028	30
0.4	13.0	12.1	10.4	-2828	28
0.8	12.2	11.3	9.6	-2628	26
0.4	11.4	10.5	8.8	-2428	24
0.8	10.6	9.7	8.0	-2228	22
0.4	9.8	8.9	7.2	-2028	20
0.8	9.0	8.1	6.4	-1828	18
0.4	8.2	7.3	5.6	-1628	16
0.8	7.4	6.5	4.8	-1428	14
0.4	6.6	5.7	4.0	-1228	12
0.8	5.8	4.9	3.2	53307-1028	10

REVISED		DESCRIPTION		GENERAL TOLERANCES (UNLESS SPECIFIED)		DIMENSION STYLE		SCALE		DESIGN UNITS		MATERIAL NO. 極数 CKT.	
EC NO: J2010-1410		2010/01/12		10 UNDER ±0.2		MM ONLY		---		METRIC		53307-**-28	
DRWN: TOSHIMA		2010/01/12		10 OVER 30 UNDER ±0.25		DRAWN BY DATE		TITLE		THIRD ANGLE PROJECTION		MATERIAL NO. 極数 CKT.	
CHKD: SMARUYAMA		2010/01/12		30 OVER ±0.3		HSHIMABUKURO 2004/02/09		0.8 B/B CONN WAFER ASSY		ST SMT		53307-1028	
APPR: MSASAO		2010/01/20		ANGULAR ±3 °		CHECKED BY DATE		-LEAD FREE-		MOLEX INCORPORATED		53307-1028	
REV		D		DRAFT WHERE APPLICABLE MUST REMAIN WITHIN DIMENSIONS		APPROVED BY DATE		SEE CHART		DOCUMENT NO.		SHEET NO.	
						MSASAO 2004/02/09		SD-53307-015				1 OF 2	
						MATERIAL NO.		THIS DRAWING CONTAINS INFORMATION THAT IS PROPRIETARY TO MOLEX INCORPORATED AND SHOULD NOT BE USED WITHOUT WRITTEN PERMISSION					

10 9 8 7 6 5 4 3 2 1

F

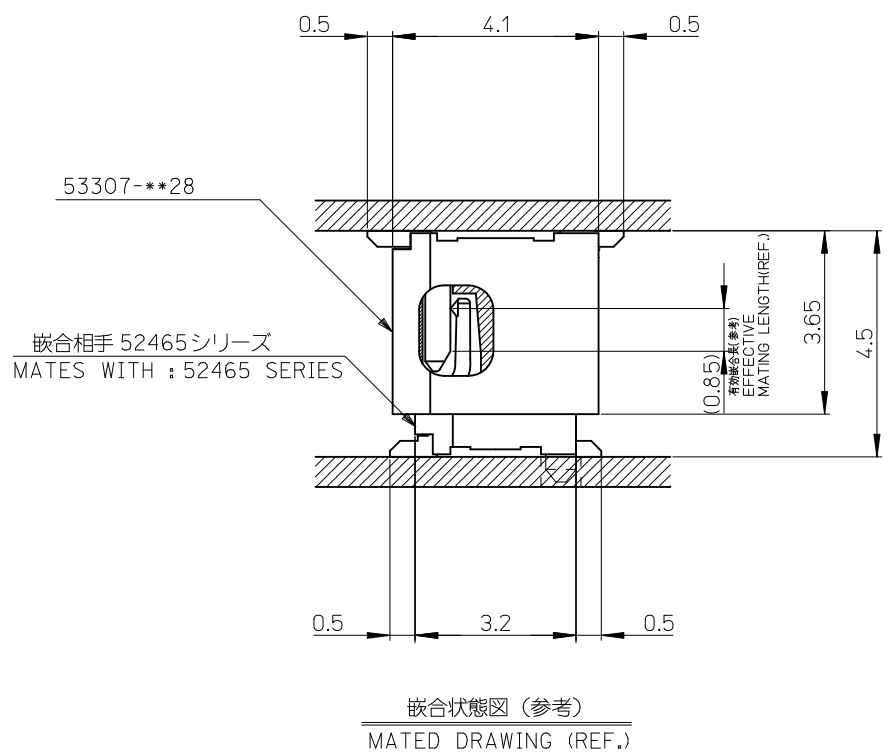
E

D

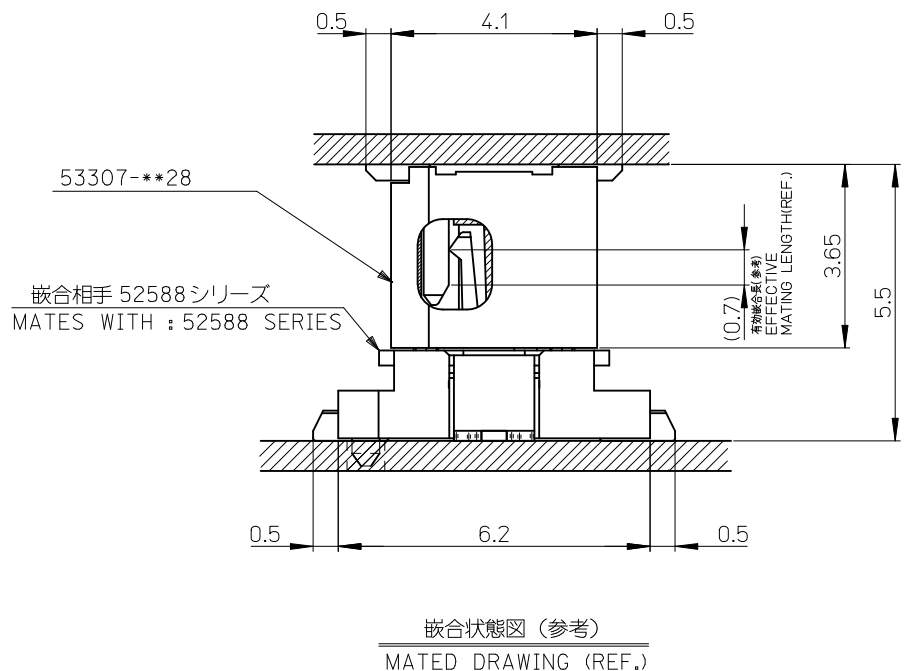
C

B

A



嵌合状態図 (参考)  
MATED DRAWING (REF.)



嵌合状態図 (参考)  
MATED DRAWING (REF.)

53307-\*\*\*28 MODEL NO.

REVISED EC NO: J2010-1410 DRWN:TOSHIMA 2010/01/12 CHKD:SMARYAMA 2010/01/12 APPR:MSASAO 2010/01/20	DESCRIPTION D	GENERAL TOLERANCES (UNLESS SPECIFIED)		DIMENSION STYLE MM ONLY		SCALE ---	DESIGN UNITS METRIC	THIRD ANGLE PROJECTION	
		10 UNDER	±0.2	DRAWN BY HSHIMABUKURO	DATE 2004/02/09	TITLE 0.8 B/B CONN WAFER ASSY ST SMT -LEAD FREE-			
		10 OVER 30 UNDER	±0.25	CHECKED BY KTOJO	DATE 2004/02/09	APPROVED BY MSASAO 2004/02/09			
		30 OVER	±0.3	APPROVED BY MSASAO 2004/02/09		MATERIAL NO. © SEE CHART		DOCUMENT NO. SD-53307-015	SHEET NO. 2 OF 2
ANGULAR ±3 ° DRAFT WHERE APPLICABLE MUST REMAIN WITHIN DIMENSIONS		SIZE A3		THIS DRAWING CONTAINS INFORMATION THAT IS PROPRIETARY TO MOLEX INCORPORATED AND SHOULD NOT BE USED WITHOUT WRITTEN PERMISSION					

10 9 8 7 6 5 4 3 2 1

F

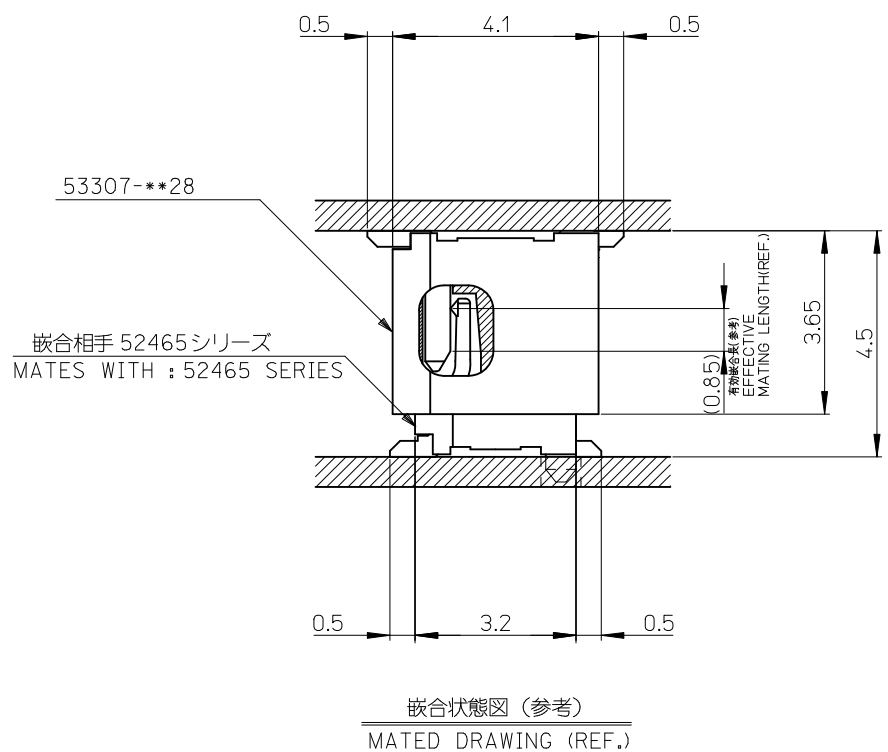
E

D

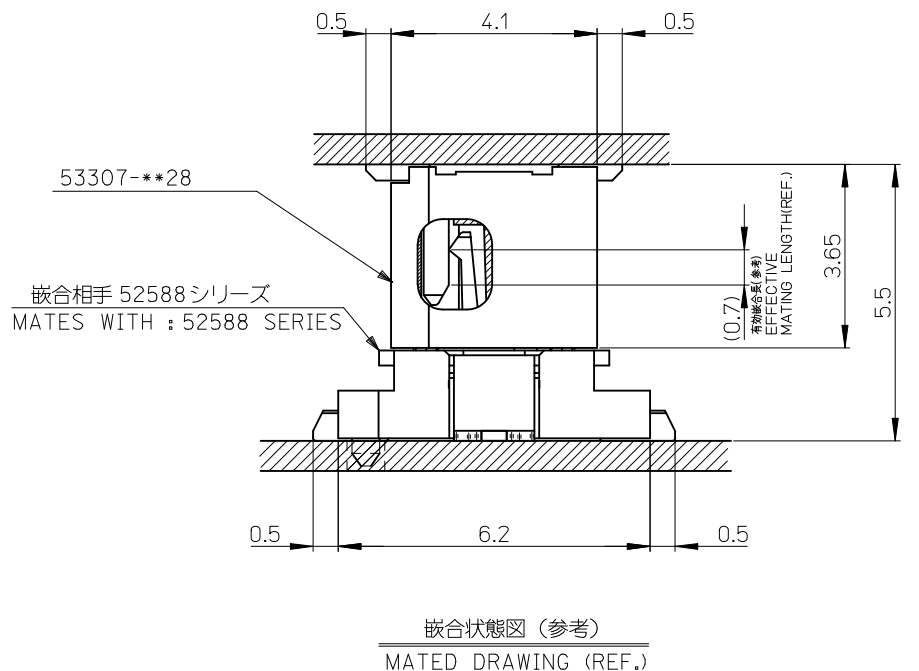
C

B

A



嵌合状態図 (参考)  
MATED DRAWING (REF.)



嵌合状態図 (参考)  
MATED DRAWING (REF.)

53307-\*\*\*28 MODEL NO.

REVISED EC NO: J2010-1410 DRWN:TOSHIMA 2010/01/12 CHKD:SMARUYAMA 2010/01/12 APPR:MSASAO 2010/01/20	DESCRIPTION REV	GENERAL TOLERANCES (UNLESS SPECIFIED)		DIMENSION STYLE MM ONLY		SCALE ---	DESIGN UNITS METRIC	THIRD ANGLE PROJECTION	
		10 UNDER	±0.2	DRAWN BY HSHIMABUKURO	DATE 2004/02/09	TITLE 0.8 B/B CONN WAFER ASSY ST SMT -LEAD FREE-			
		10 OVER 30 UNDER	±0.25	CHECKED BY KTOJO	DATE 2004/02/09	MOLEX INCORPORATED			
		30 OVER	±0.3	APPROVED BY MSASAO	DATE 2004/02/09				
		ANGULAR ±3 °		MATERIAL NO. © SEE CHART		DOCUMENT NO. SD-53307-015		SHEET NO. 2 OF 2	
DRAFT WHERE APPLICABLE MUST REMAIN WITHIN DIMENSIONS		SIZE A3		THIS DRAWING CONTAINS INFORMATION THAT IS PROPRIETARY TO MOLEX INCORPORATED AND SHOULD NOT BE USED WITHOUT WRITTEN PERMISSION					