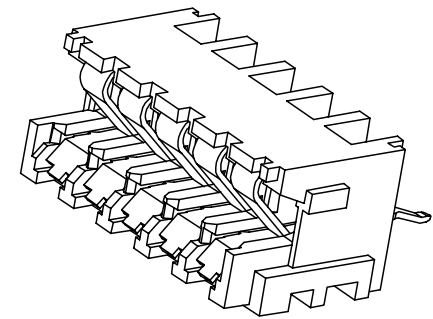
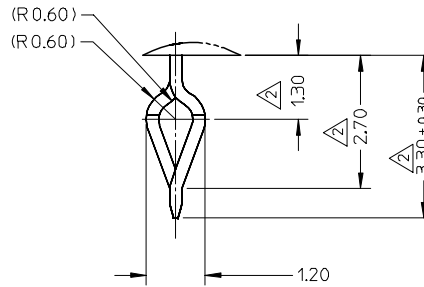
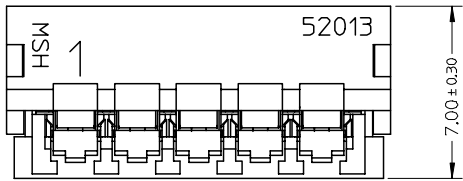


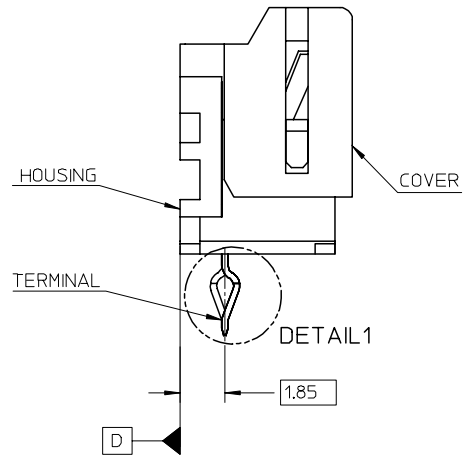
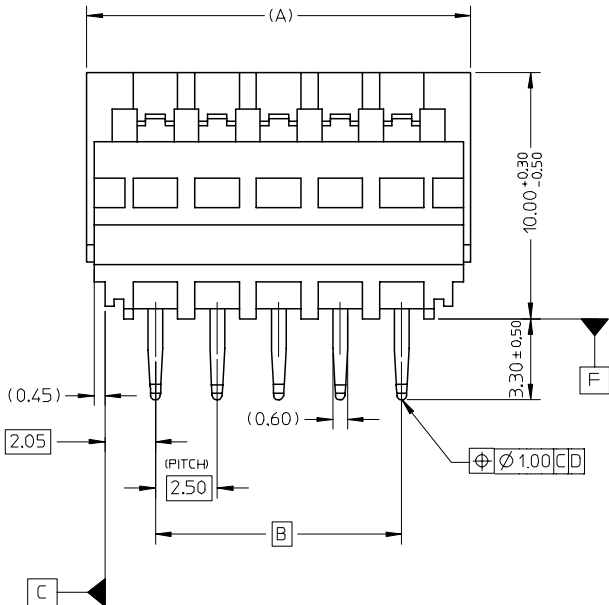
10 9 8 7 6 5 4 3 2 1

F
E
D
C
B
A

F
E
D
C
B
A



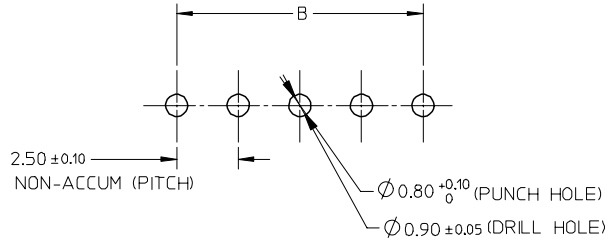
DETAIL1



NOTES:

- MATERIAL:
HOUSING: PBT,15% GLASS FILLED,UL94V-0
TRAP-COVER: PBT,30% GLASS FILLED,UL94V-0
TERMINAL: PHOSPHOR BRONZE;
- MISALIGNMENT OF TERMINAL FROM [F]
- THE PRODUCT SPECIFICATION REVIEW: PS-52011-001
- THE PART 52260-0*10 COMPLIANT TO RoHS DIRECTIVE 2002/95/EC AND ELV 2000/53/EC.

10.00	15.60	500098200	52013-0500	52011-0500	522600510	5
7.50	13.10	500098200	52013-0400	52011-0400	522600410	4
5.00	10.60	500098200	52013-0300	52011-0300	522600310	3
B	A	TERMINAL	COVER	HOUSING	ENG.NO.	CKT



NEW RELEASE EC NO: SH2007-0738 DRWN:HPQIAN 2007/04/09 CHKD:HARVEY APPR: JNCHEN 2007/04/13	QUALITY SYMBOLS ▽=0 ▽=0	GENERAL TOLERANCES (UNLESS SPECIFIED)		DIMENSION STYLE MM ONLY		SCALE 5:1	DESIGN UNITS METRIC	THIRD ANGLE PROJECTION		
		4 PLACES ± --- ± --- 3 PLACES ± --- ± --- 2 PLACES ± 0.25 ± --- 1 PLACE ± --- ± --- ANGULAR ± ---°		DRAWN BY HPQIAN 2006/10/11		DATE 2006/10/11		TITLE 2.5 PITCH WIRE-TRAP CONNECTOR ASS'Y (ST)		
		DRAFT WHERE APPLICABLE MUST REMAIN WITHIN DIMENSIONS		APPROVED BY JNCHEN 2006/10/11		DATE 2006/10/11		MOLEX INCORPORATED		
		SEE TABLE		MATERIAL NO.		DOCUMENT NO. SD-52260-001		SHEET NO. 1 OF 1		

9 8 7 6 5 4 3 2 1