

PLASTIC MOLDED STANDARD SMD OSCILLATOR (14.0 x 9.8 x 4.7mm)

FEATURES

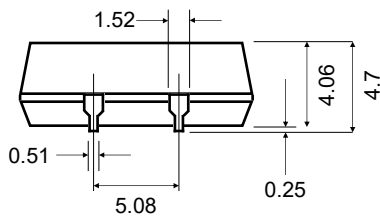
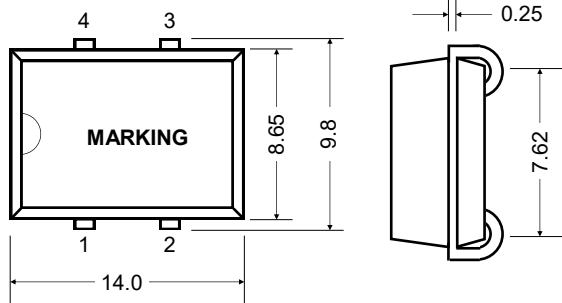
- PLASTIC MOLDED SMD OSCILLATOR
- WIDE FREQUENCY RANGE
- REFLOW CAPABLE / LOW CURRENT



■ SPECIFICATION

FREQUENCY RANGE		1.000MHz ~ 125.000MHz
FREQUENCY STABILITY		±10ppm ~ ±100ppm
OPERATING TEMPERATURE RANGE		STD: 0°C ~ +70°C, Option: -40°C ~ +85°C (See P/N guide for other options)
STORAGE TEMPERATURE RANGE		-55°C ~ 125°C
SUPPLY VOLTAGE ± 10%		3.3V _{DC} , 5.0V _{DC}
SUPPLY CURRENT		45mA max.
OUTPUT	LOGIC FAMILY	HCMOS, TTL, CMOS/TTL
	LOAD	15pF, 10TTL
	LEVEL LOGIC '1' (V_{OH})	HCMOS: 0.9 x V _{DD} min. TTL: 2.4V _{DC} min.
	LEVEL LOGIC '0' (V_{OL})	HCMOS: 0.1 x V _{DD} max. TTL: 0.4V _{DC} max.
	SYMMETRY (DUTY CYCLE)	STD: 40% / 60%, option: 45% / 55%
	RISE AND FALL TIME (Tr/Tf)	7nS max.: 1.000MHz ≤ f ≤ 60.000MHz 5nS max.: 60.000MHz < f ≤ 70.000MHz 4nS max.: 70.000MHz < f ≤ 125.000MHz
START-UP TIME		5mS max.
STAND-BY VOLTAGE	ENABLE (V_{IH})	0.7 x V _{DD} ≤ V _{IH} ≤ V _{DD} or N/C
	DISABLE (V_{IL})	V _{IL} ≤ 0.3 x V _{DD}
AGING @ 25°C ± 3°C		±3.0ppm / 1 st year max.
PHASE JITTER RMS (12kHz ~ 20MHz)		1pS max.

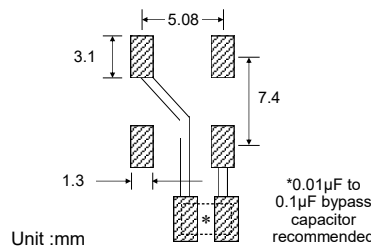
■ PACKAGE DIMENSIONS



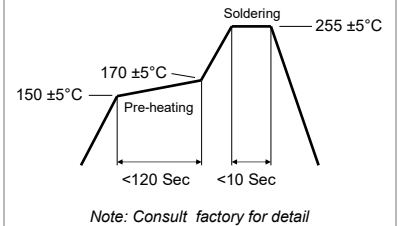
Unit:mm

Pin Configuration	
1	En/Dis or NC
2	GND
3	Output
4	V _{DD}

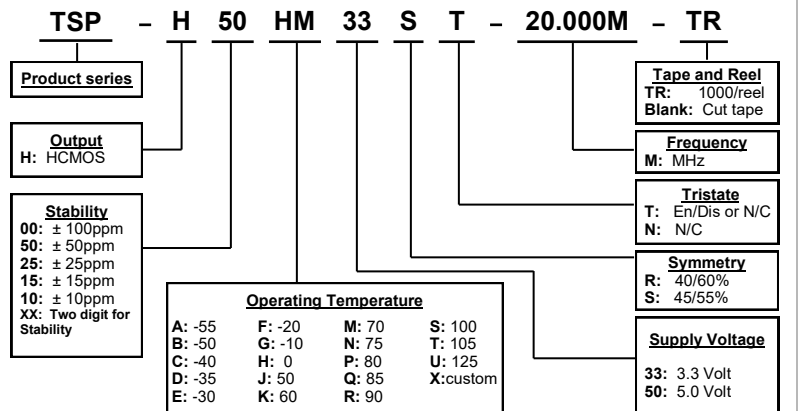
■ SOLDER PATTERN



■ REFLOW PROFILE



■ PART NUMBERING GUIDE



Transko Electronics, Inc reserves the right to make changes to the product (s), service (s), and specification (s) described herein without notice. See "Terms of Sale" for details on our website.