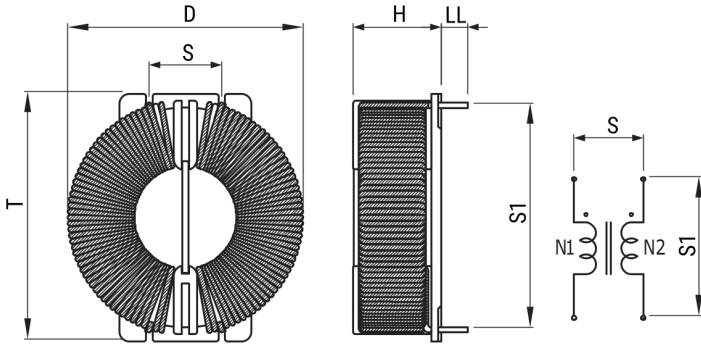


SC-09-D035JH

Aliases (UALSC09D035JH0)

KEMET, SC-D-J/JH, AC Line Filters, Common Mode, 0.035 mH



Click [here](#) for the 3D model.

Dimensions

D	34mm MAX
T	32mm MAX
H	18.5mm MAX
LL	3.5mm +/-1mm
S	11mm NOM
S1	28mm NOM
Wire Size	1.2mm

Packaging Specifications

Packaging	Tray
Packaging Quantity	180
Component Weight	23 g

General Information

Series	SC-D-J/JH
Style	Through-Hole
RoHS	Yes
Notes	Lead Spacing (S/S1) Are For Reference Only.
Miscellaneous	Temperature Rise Maximum: 45 K.
Core	Ni-Zn Ferrite

Specifications

Voltage AC	250 VAC
Inductance	35 uH
Current	9 A
Temperature Range	-25/+120°C
DC Resistance	7.8 mOhms