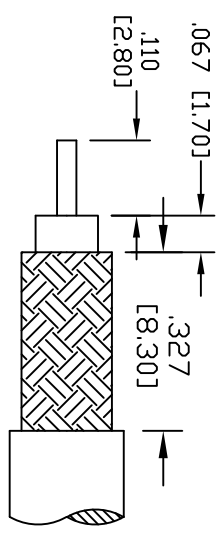
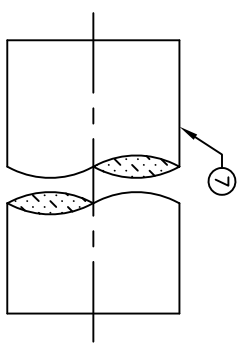
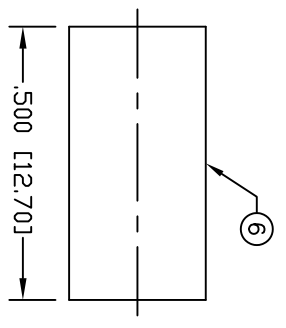
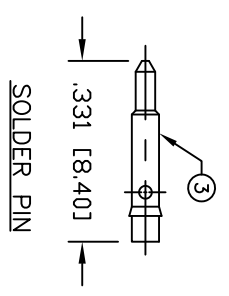
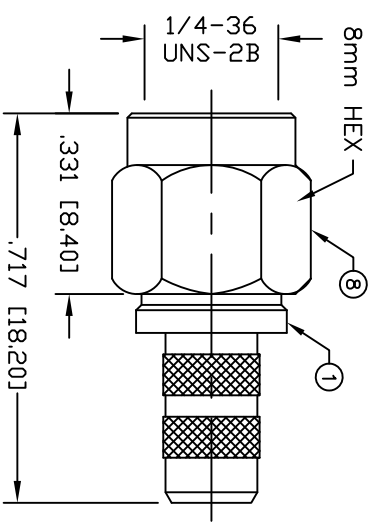


PART NO.		<b>RSA-3000-C</b>	
REV	DESCRIPTION	DWN	DATE
E	UPDATED DWG AND SPECS	CZS	02/21/21
			APPROVED
			JDMc



**SPECIFICATIONS:**

IMPEDANCE: 50 Ohms  
 FREQUENCY RANGE: 0-12.4 GHz  
 VSWR: 1.3 MAX.  
 INSULATION RESISTANCE: 5000 MΩ MIN.  
 TEMPERATURE RANGE: -65°C TO 85°C  
 FOR RG-58, 58A, 58C, 141, 141A, BELDEN 8240,  
 8262, 9201, 9203, 9310, 9311 & COMM/SCOPE 0268

#	DESCRIPTION	QTY	MATERIAL	FINISH
8	SHELL	1	BRASS	NICKEL
7	TUBING	1	HEAT SHRINK	BLACK
6	FERRULE	1	BRASS	NICKEL
5	RETAINING RING	1	Be.Cu.	NICKEL
4	GASKET	1	SILICONE	ORANGE
3	PIN	1	BRASS	GOLD
2	INSULATOR	1	PTFE	NATURAL
1	BODY	1	BRASS	NICKEL

CUSTOMER OUTLINE DRAWING ALL DIMENSIONS ARE REFERENCE ONLY	
UNLESS OTHERWISE SPECIFIED: DIMENSIONS ARE IN INCHES AND [MILLIMETERS]	
DRW C. ZUNIGA CHECKED	02/21/21
DRW K. MAXWELL	12/17/93

**ROHS COMPLIANT**

PROPRIETARY AND CONFIDENTIAL  
 THIS DRAWING CONTAINS  
 INFORMATION PROPRIETARY TO  
 RF INDUSTRIES, ANY  
 UNAUTHORIZED USE OF THIS  
 DRAWING IS EXPRESSLY  
 PROHIBITED WITHOUT WRITTEN  
 PERMISSION FROM RF  
 INDUSTRIES, ANY VIOLATION IS  
 PUNISHABLE UNDER U.S.  
 COPYRIGHT LAWS.

**RF Industries**  
 DIVISION OF RF INDUSTRIES, LTD. (858) 549-6345 FAX

**SMA PLUG, CRIMP**

REVISIONS

REVISION	DATE	BY
E		

CABLE GROUP DWG # **RSA-3000-C**

FORMAT A SCALE NTS CONTROL # 000000 SHEET 1 OF 1

RFINDUSTRIES.COM  
 7610 MIRAMAR RD.  
 SAN DIEGO, CA 92126  
 (858) 549-6340