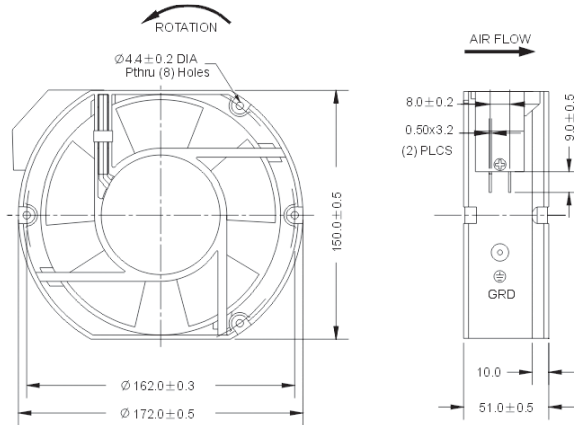


OA172 'XC Series'



AC Fan - 115V, 230V
172x150x51mm (6.7"x 5.9"x 2.0")



| | | | |
|-----------------------|------------------------------------------------|-------------------------------------------------------------------------------------------------------------------------------------------------------------------------------------------------|--|
| Frame | Diecast Aluminum | Operating Temperature Ball Bearing -40C ~ +70C Storage Temp -40C ~ +80C Life Expectancy Ball Bearing 60,000 hours (L10 at 40C) Weight: ~ 2.2 lbs. | |
| Impeller | PBT, UL94V-O plastic | | |
| Connection | 2x Lead Wires or Terminals | | |
| Motor | Capacitor drive, thermally protected | | |
| Bearing System | Dual ball (Sleeve available) | | |
| Insulation Resistance | >100M ohm between lead-wire and frame (500VDC) | | |
| Dielectric Strength | 1 min at 1500 VAC, 50/60Hz | | |

| Part Number | OA172SAP-11-1 ()B XC | OA172SAP-22-1 ()B XC |
|----------------------|------------------------|------------------------|
| Nominal Voltage | 115 VAC | 230 VAC |
| Voltage Range | 100 ~ 125 VAC | 200 ~ 240 VAC |
| Rated Power | 50 W (60 Hz) | 50 W (60 Hz) |
| Rated Speed (RPM) | 3300 | 3300 |
| Airflow - CFM | 300 | 300 |
| Noise Level - (dB) | 61 | 61 |
| Max. Static Pressure | 0.78" H ₂ O | 0.78" H ₂ O |

() Indicate "T" for terminal or "W" for wire leads