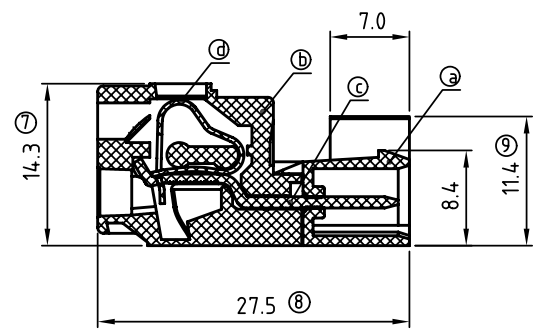
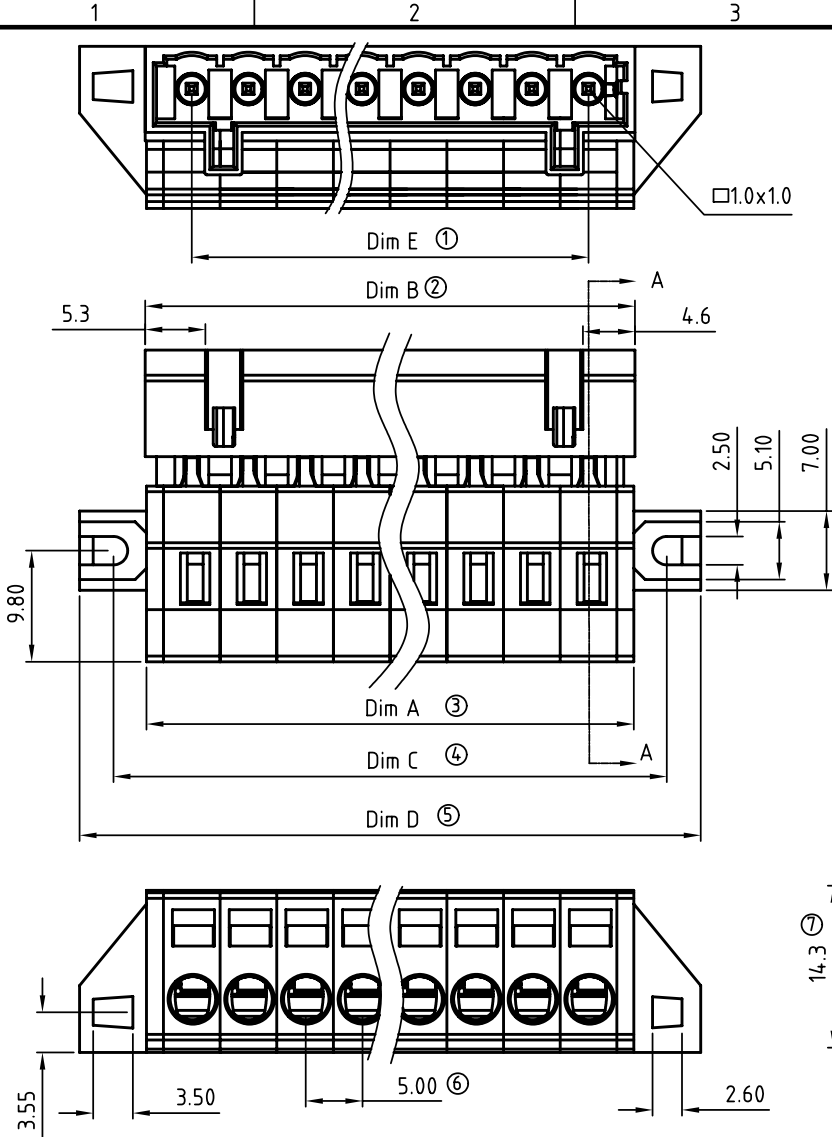


SIGN	DATE	DESCRIPTION	APPROVER
THIS IS CAD DRAWING, DO NOT REVISE MANUALLY!!!			



Material:

- Item a :Terminal body Thermoplastic (UL94 V-0)
- Item b :Terminal body Thermoplastic (UL94 V-0)
- Item c :Male contact pin: Brass Tin plated
- Item d :Spring clamp: Stainless steel

Electrical

- Voltage rating: 300V
- Current rating: 8A
- Wire range:
- Solid wire(AWG): 12-28
- Stranded wire(AWG): 12-28
- Wire strip length: 8-9mm
- Withstanding Voltage: 1.6KV
- Operating temperature: -40°C to +105°C
- Safety Approval: us

NB xx 7 0 x 3 xxxx G

RoHS
Pb<40,000ppm

02 2 poles
03 3 poles
...
24 24 poles

0 Black
5 Green
(RAL6018/T)
6 Blue
8 Grey
(RAL 7035/D)

0000 Standard @ Logo
000A Standard ANY Logo
Any special item by customer request, please contact sales department.

SECTION A-A

N = Number of poles
 Dim A = N x 5.0 + 3.0
 Dim B = N x 5.0 + 3.2
 Dim C = N x 5.0 + 8.8
 Dim D = N x 5.0 + 14.8
 Dim E = (N - 1) x 5.0

	Dim A	Dim B	Dim C	Dim D
2-6p	±0.20	±0.20	±0.20	±0.20
7-12p	±0.25	±0.25	±0.25	±0.25
13-18p	±0.30	±0.30	±0.30	±0.30
19-24p	±0.40	±0.40	±0.40	±0.40

ANYTEK		CUSTOMER COPY			
		ALL RIGHTS RESERVED. REPRODUCTION OR ISSUE TO THIRD PARTIES IN ANY FORM WHATSOEVER IS NOT PERMITTED WITHOUT WRITTEN AUTHORITY FROM THE PROPRIETOR. PROPERTY OF ANYTEK TECHNOLOGY CO., LTD			
TITLE	NB 5.0mm series Flange with hook holder				
PART NO.	NBxx70x3xxxxG		DWG NO.	8NB0006	
APPROVED	CHECKED	DESIGNED	DRAWN	CUST NO.	Tolerance
		Jacke	Jacke		X. ±0.50
		2009.11.20	2009.11.20		X.X ±0.30
					X.XX ±0.10
					X° ±1°