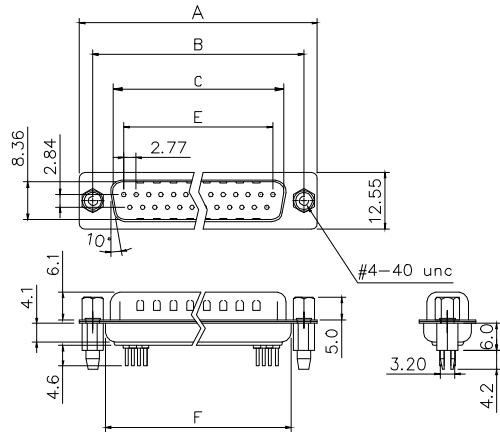
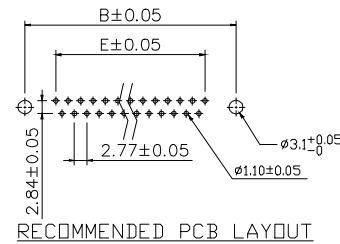


**Male:**



Dimensions

Positions	A	B	C	E	F
9	30.81	24.99	16.92	11.08	19.20
15	39.20	33.30	25.25	19.39	27.70
25	53.05	47.04	38.96	33.24	41.10
37	69.40	63.50	55.42	49.86	57.30



**Product Specification**

**Material**

Insulator : Glass-Filled Thermoplastic PBT,UL94V-0, Black  
 Contact : Copper alloy, Gold Flash  
 Tin on soldering area over Nickel  
 Shell : Steel, 100u" Tin Over 50u" min Copper  
 Boardlock : Brass, Tin Plated  
 Screwlock : Steel, Nickel Plated

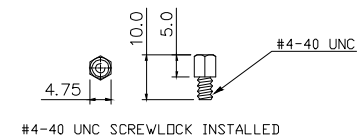
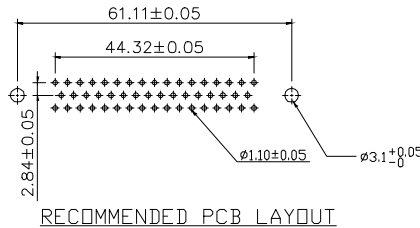
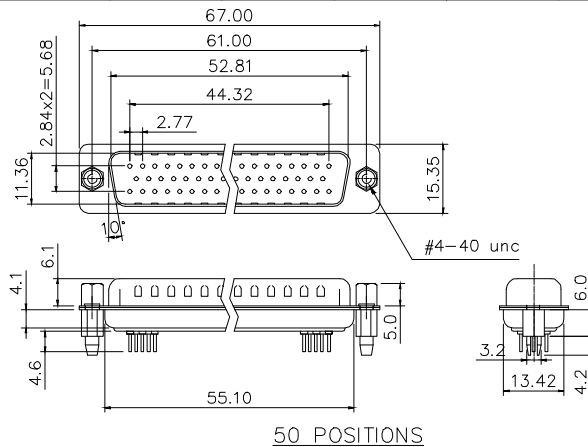
**Electrical**

Contact Resistance : 20 milliohms  
 Max at 1 AMP DC.  
 Insulation Resistance : 1000  
 megohms at 500 VDC  
 Dielectric Withstanding Voltage :  
 1000 VAC/rms 60Hz for 1 minute  
 Current Rating : 3 AMP  
 Voltage Rating : 250 VAC/rms 60Hz  
 Durability: 50 Mating cycles Min., Quality Class III  
 Packing: Tray  
 Test condition: MIL-STD-1344A  
 ④ Temperature Range : -55°C ~ +105°C

② A-DXxx-GK-3U1-TP1

Contact style:  
 F - Female  
 S - Male

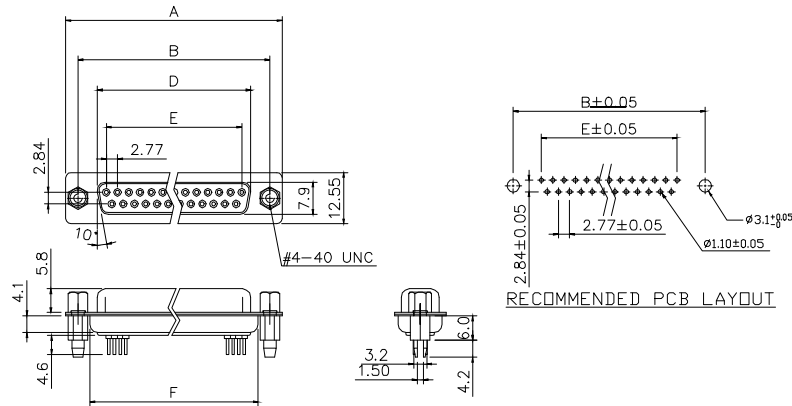
No. of Contacts  
 09: 9 Positions  
 15: 15 Positions  
 25: 25 Positions  
 37: 37 Positions  
 50: 50 Positions



**RoHS compliant**  
 Unit: mm

Scale	Free						Date	Name	Description: D-SUB Connector	
<b>TOLERANCE</b>		④	Update operating temperature	23.12.2020	Luca	Drawn	21.09.2018	Xavier	ASSMANN WSW-No. ② A-DSxx-GK-3U1-TP1	
X.	±0.38	③	Change P/N	03.05.2019	S.Böling	Approved	23.12.2020	Luca		
X.X	±0.25	②	Change P/N	06.11.2018	Xavier					
X.XX	±0.13	①	Add order code	24.10.2018	Xavier			Drawing-No.		
DIM	TOL	①						ASS 8239 CO		rev04
X.°	±3°	①	Drawn	21.09.2018	Xavier			Customer-No.		Sheet 1/2
X.X°	±1.0°	①								
Angle	TOL	Id.	Modification	Date	Name					

**Female:**



DIMENSION TABLE

POSITIONS	A±0.25	B±0.10	D±0.13	E±0.08	F±0.10
9	30.81	24.99	16.33	11.08	19.20
15	39.20	33.30	24.70	19.39	27.70
25	53.05	47.04	38.40	33.24	41.10
37	69.40	63.50	54.80	49.86	57.30

Specification

Material

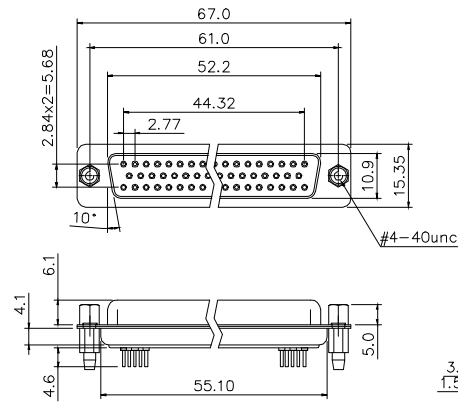
Insulator : Glass-Filled Thermoplastic PBT, UL94V-0, Black  
 Contact : Copper alloy, Gold Flash  
 Tin on soldering area over Nickel  
 Shell : Steel, 100u" Tin Over 50u" min Copper  
 Boardlock : Brass, Tin Plated  
 Screwlock : Steel, Nickel Plated

Electrical

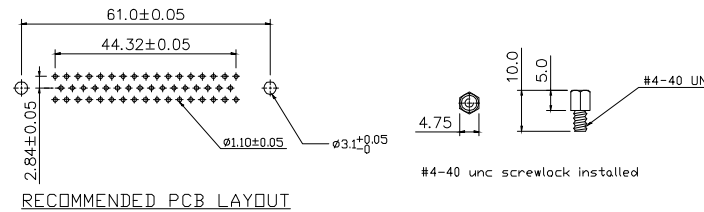
Contact Resistance : 20 milliohms  
 Insulation Resistance : 1000 megohms min.  
 at 500 VDC  
 Dielectric Withstanding Voltage :  
 1000 VAC/rms 60Hz for 1 minute  
 Current Rating : 3 AMP  
 Volatge Rating : 250 VAC/rms 60Hz

Environmental

- ④ Temperature Range : -55°C ~ +105°C
- Durability: 50 Mating cycles Min., Quality Class III
- Packing: Tray
- Test condition: MIL-STD-1344A



50 POSITIONS



RECOMMENDED PCB LAYOUT

G

H

**RoHS compliant**  
Unit: mm

Scale	Free					Date	Name	
TOLERANCE		④	Update operating temperature	23.12.2020	Luca	Drawn	21.09.2018	Xavier
X.	±0.38	③	Change P/N	03.05.2019	S.Böling	Approved	23.12.2020	Luca
X.X	±0.25	②	Change P/N	06.11.2018	Xavier			
X.XX	±0.13	①	Add oerder code	24.10.2018	Xavier			
DIM	TOL	①	Drawn	21.09.2018	Xavier			
X.°	±3°							
X.X°	±1.0°							
Angle	TOL	Id.	Modification	Date	Name			

Description: D-SUB Connector	
ASSMANN WSW-No. ② A-DFxx-GK-3U1-TP1	
Drawing-No. <b>ASS 8239 CO</b>	rev04
Customer-No.	Sheet 2/2

A

B

C

D

E

F

G

H