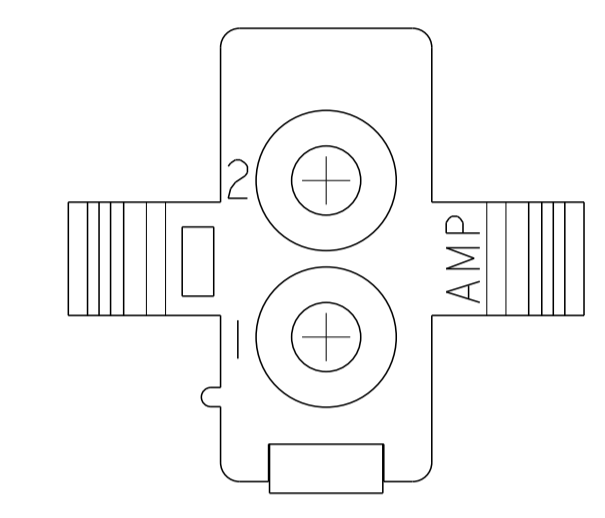
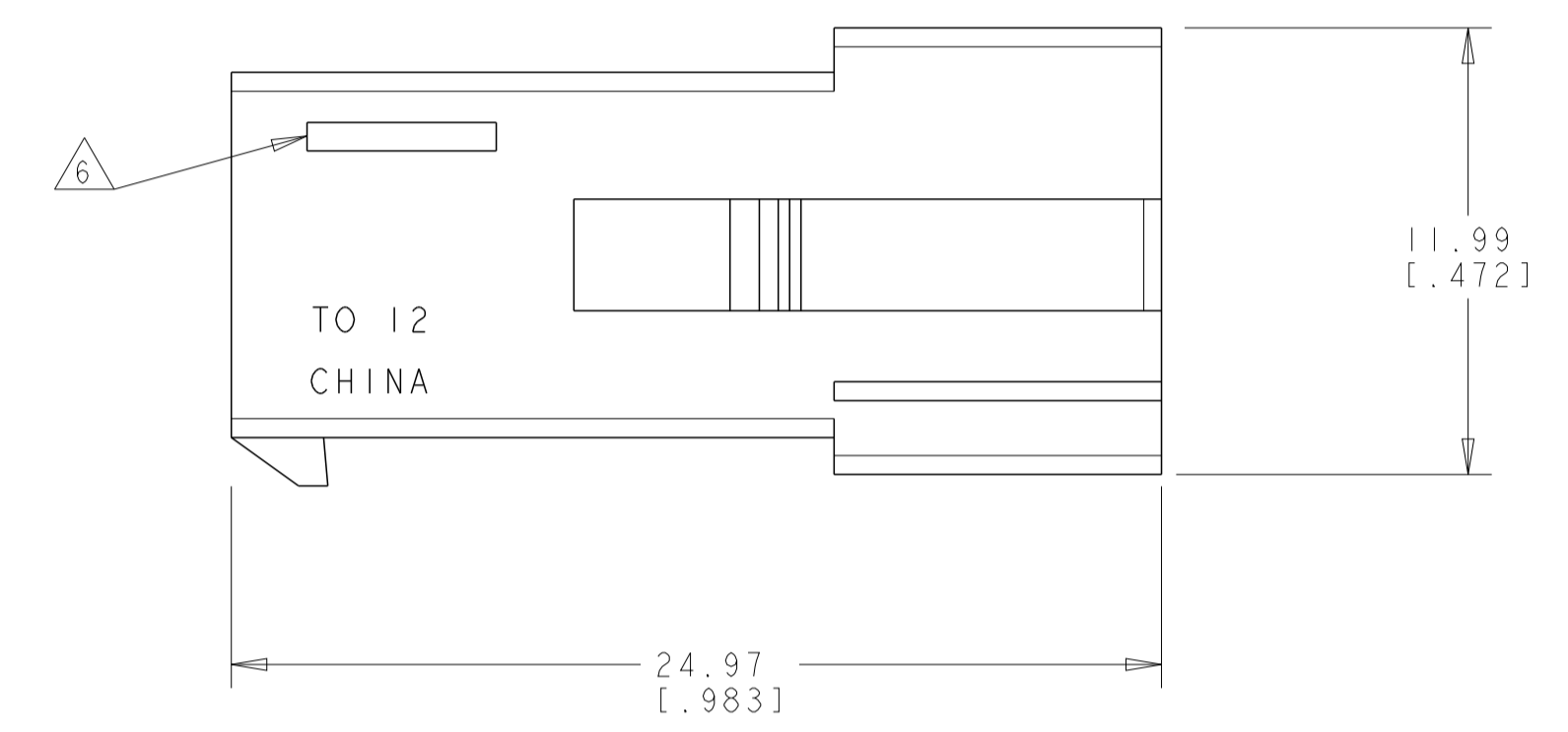
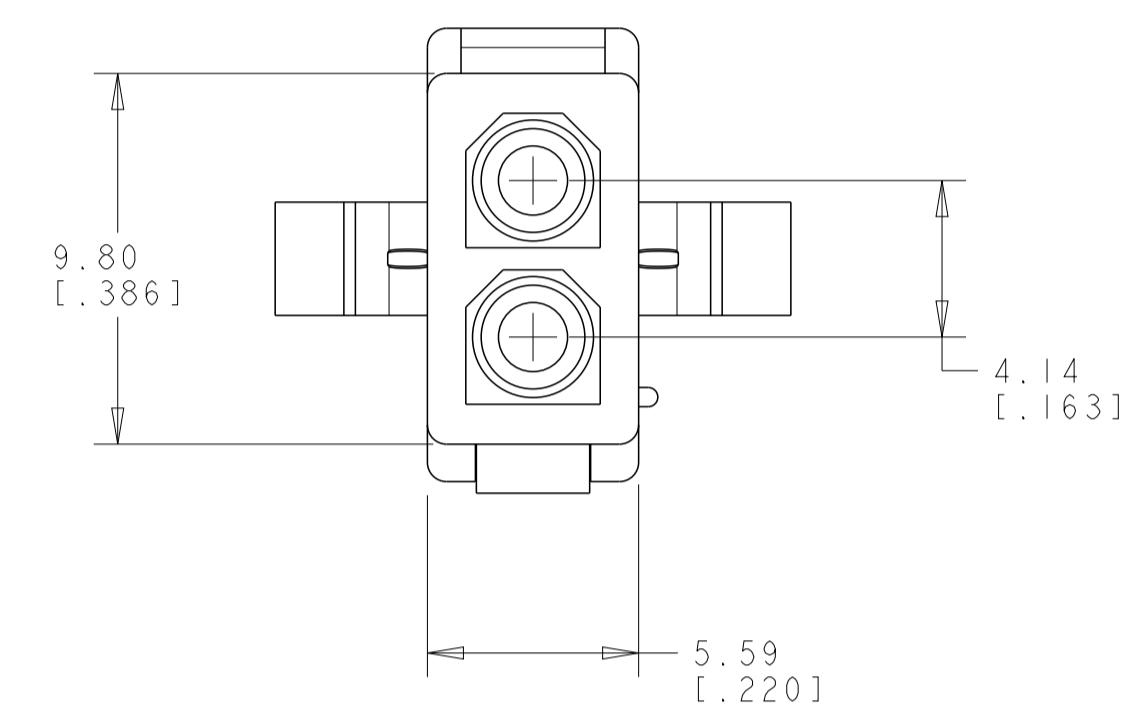
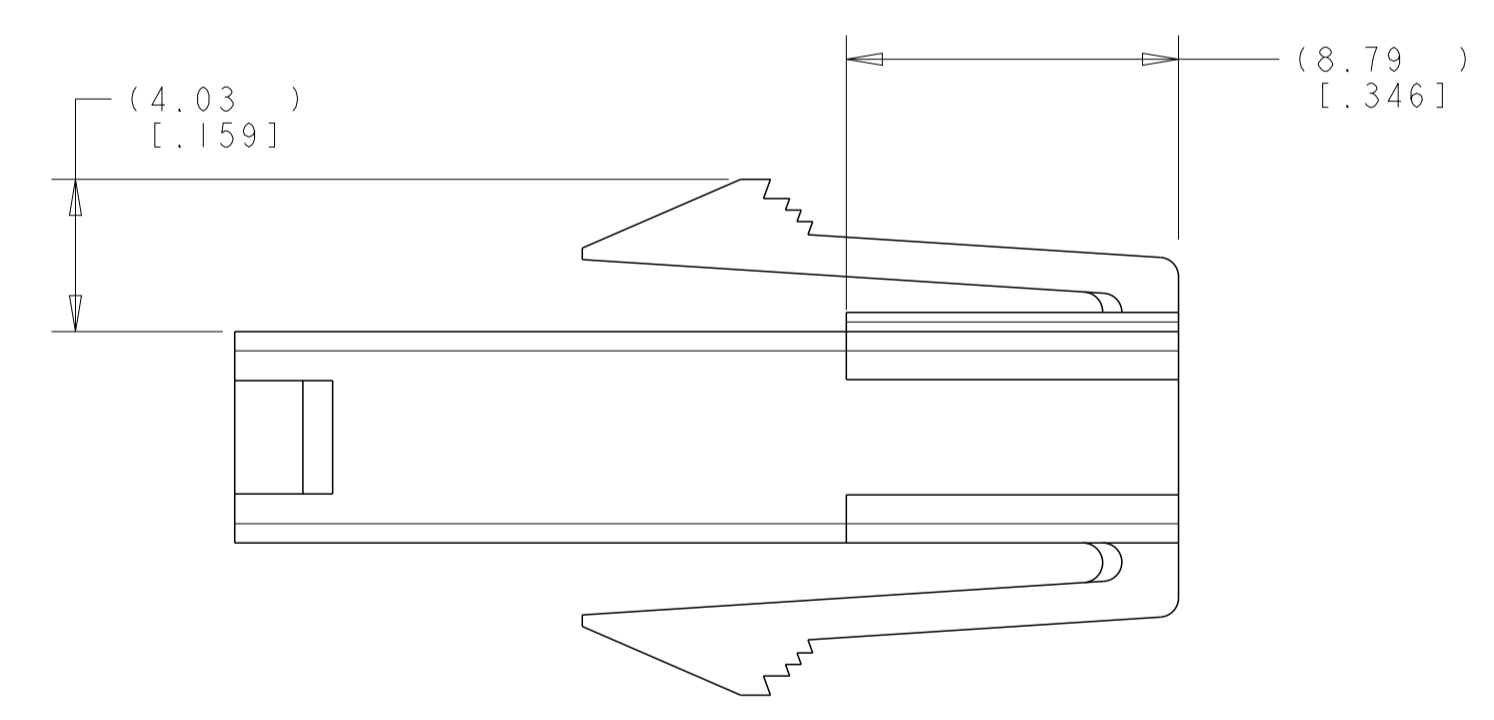
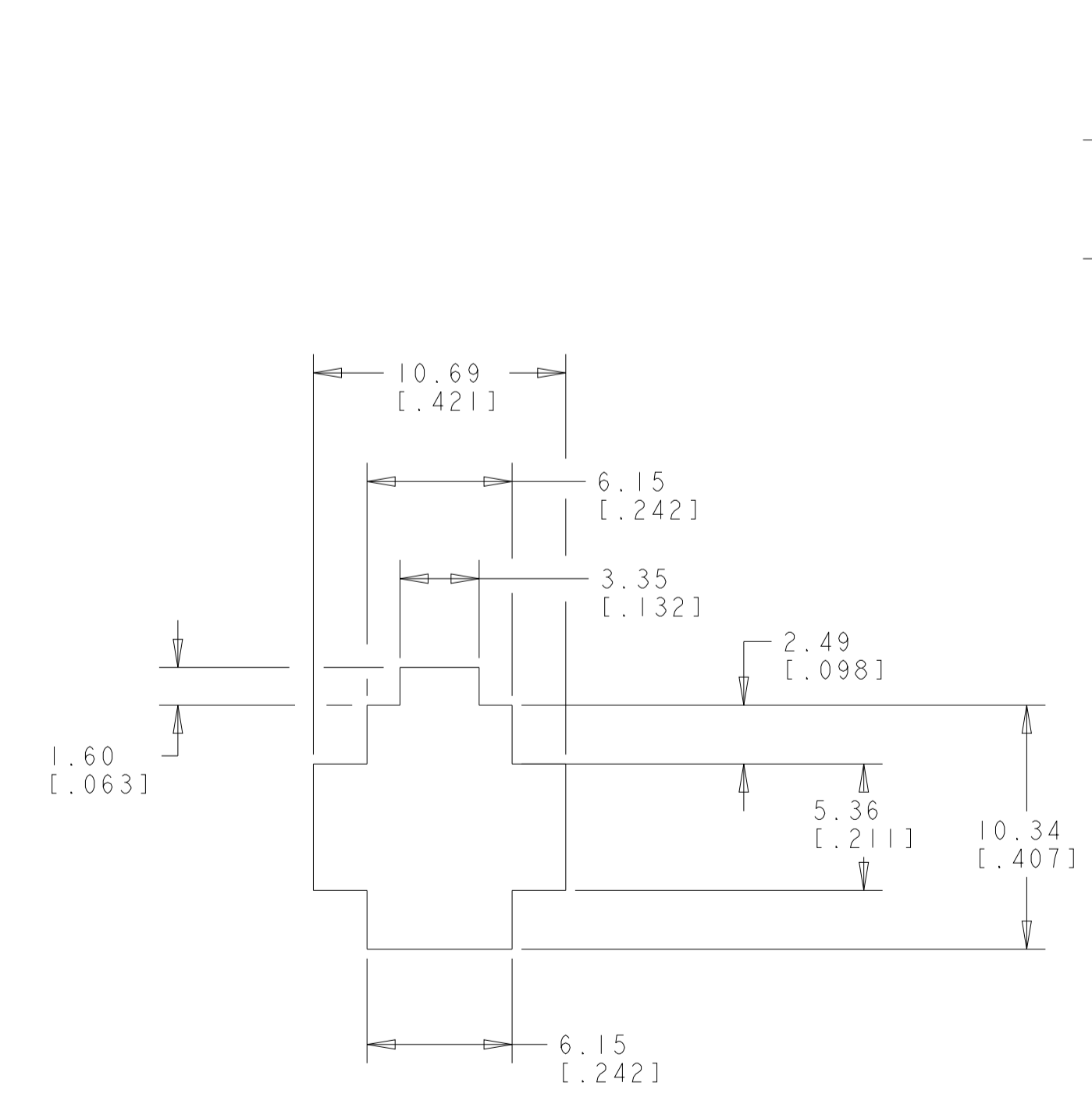


LOC	DIST	REVISIONS					
CM	00	P	LTN	DESCRIPTION	DATE	DWN	APVD
		A3		ECR-15-006129	30APR2015	SC	DZ
		A4		REVISED PER ECR-22-137480	05JUN2023	MV	JP



1. APPLICABLE CONTACT P/N: 170539, 170360, 170361, 170362.
2. MATING HOUSING P/N: 794894.
3. RECOMMENDED PANEL THICKNESS TO BE 0.8-2.0 [.031-.079].
4. HOUSING INSERTION INTO THE PANEL CUT OUT MUST BE IN THE SAME DIRECTION AS THE PUNCH.
5. GWT 750° (WITH OUT FLAME) ACC. IEC 60335-1
6. MATERIAL DESIGNATION.
7. MEETS UL61800-5-1 UL DIRECT SUPPORT REQUIREMENT FOR RAW MATERIAL NUMBER 705287

Flam	RTIe deg C	HWI	HAI	CTI
V0	120C	PLC4	PLC0	PLCO_UL746



RECOMMENDED PANEL CUT OUT  
 SCALE 4:1

5	NATURAL	PA6 UL94-V2	794896-3
5	RED	PA6 UL94-V2	794896-2
7	NATURAL	PA66/6 UL94-V0	794896-1
REMARKS	COLOUR	MATERIAL	PART NUMBER

THIS DRAWING IS A CONTROLLED DOCUMENT.

DIMENSIONS: mm [INCHES]

TOLERANCES UNLESS OTHERWISE SPECIFIED:

0 PLC	±	
1 PLC	±	
2 PLC	±0.13 [1.015]	
3 PLC	±.005	
4 PLC	±	
ANGLES	±	40° 30'
FINISH	-	

MATERIAL: -

WEIGHT: -

CUSTOMER DRAWING

DWN: K. WHITAKER 29JAN2001  
 CHK: C. JONES 29JAN2001  
 APVD: C. JONES 29JAN2001

NAME: CAP, 2 CIRCUIT, SEALED APPLICATION, MINI UNIVERSAL MATE-N-LOK™

SIZE: A1 CAGE CODE: 794896 DRAWING NO: 794896

SCALE: 5:1 SHEET 1 OF 1 REV A4

