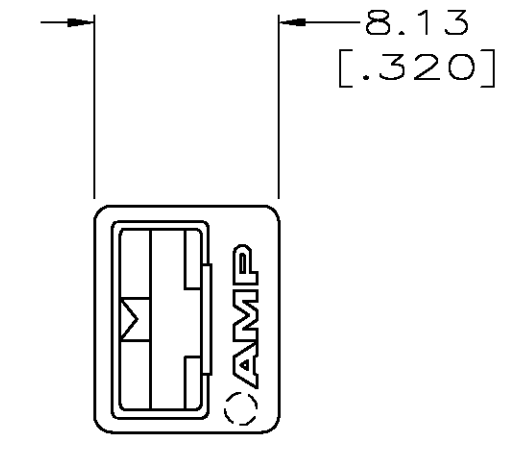
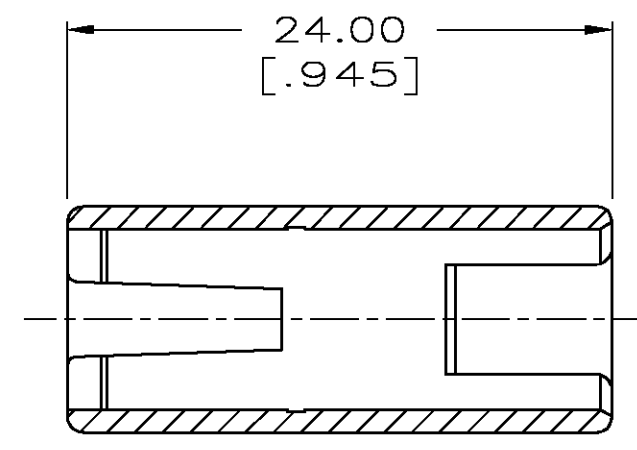
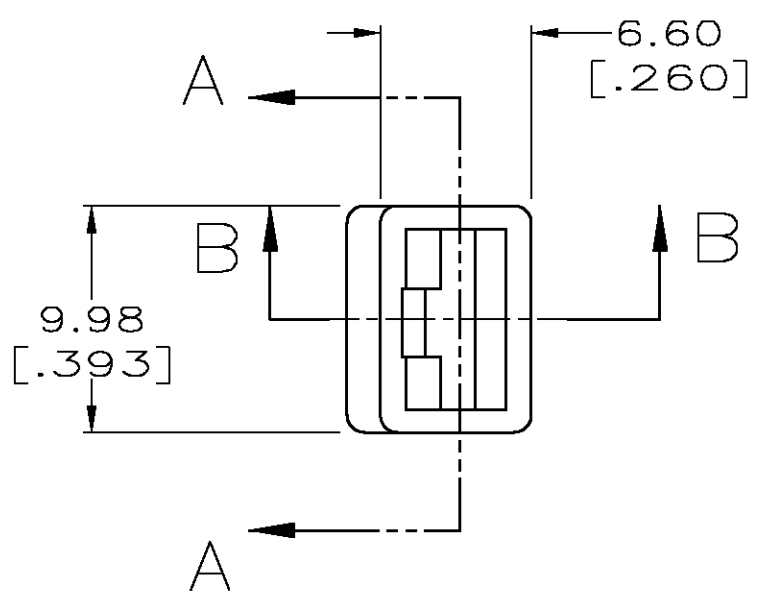
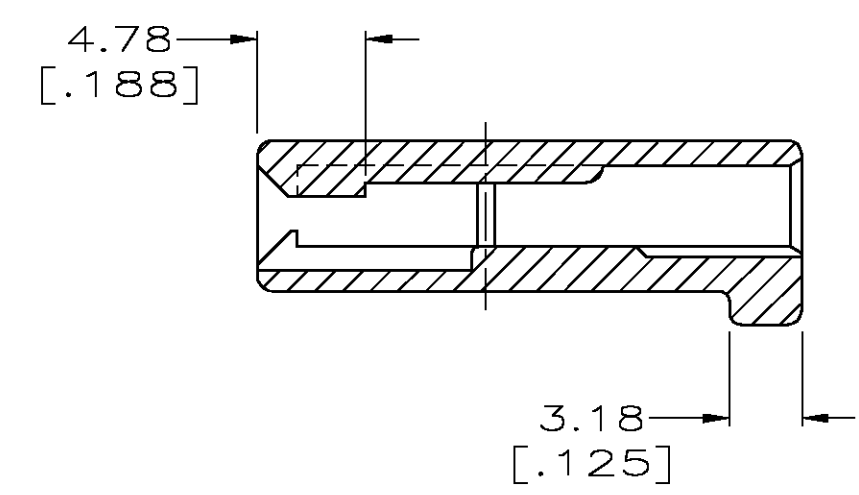


THIS DRAWING IS UNPUBLISHED. RELEASED FOR PUBLICATION ,19 .
 © COPYRIGHT 19 BY AMP INCORPORATED. ALL RIGHTS RESERVED.

LOC	DIST	REVISIONS					
		P	LTR	DESCRIPTION	DATE	DWN	APVD
AF	50		D	REV PER 0G3A-0337-03	03JUN03	RF	PD



SECTION A-A



SECTION B-B

- 1 PREPRODUCTION - FASR REQ
- 2 PRELIMINARY - NOT FOR PRODUCTION
- 3 RECOMMENDED MATING TAB LENGTH TO BE A MINIMUM OF .400

NATURAL	VECTRA A130, VO	2 521290-2
NATURAL	66/6 NYLON, VO	1 521290-1
COLOR	MATERIAL	PART NO.

THIS DRAWING IS A CONTROLLED DOCUMENT.		DWN	JR RUTH	16MAR00	AMP AMP Incorporated Harrisburg, PA 17105-3608
DIMENSIONS: MM [INCHES]		CHK	MS FEHER	16MAR00	
TOLERANCES UNLESS OTHERWISE SPECIFIED:		APVD	D BRATINA	16MAR00	
0 PLC ±- 1 PLC ±- 2 PLC ±0.38 [.015] 3 PLC ±- 4 PLC ±- ANGLES ±- MATERIAL SEE TABLE FINISH SEE TABLE		PRODUCT SPEC	HOUSING, RECEPT, FASTIN-FASTON, SINGLE CIRCUIT, 6.35 [.250] SERIES		
		APPLICATION SPEC	SIZE CAGE CODE DRAWING NO RESTRICTED TO		
		WEIGHT	A3 00779 C- 521290		
		CUSTOMER DRAWING	SCALE	3:1	SHEET 1 OF 1 REV D