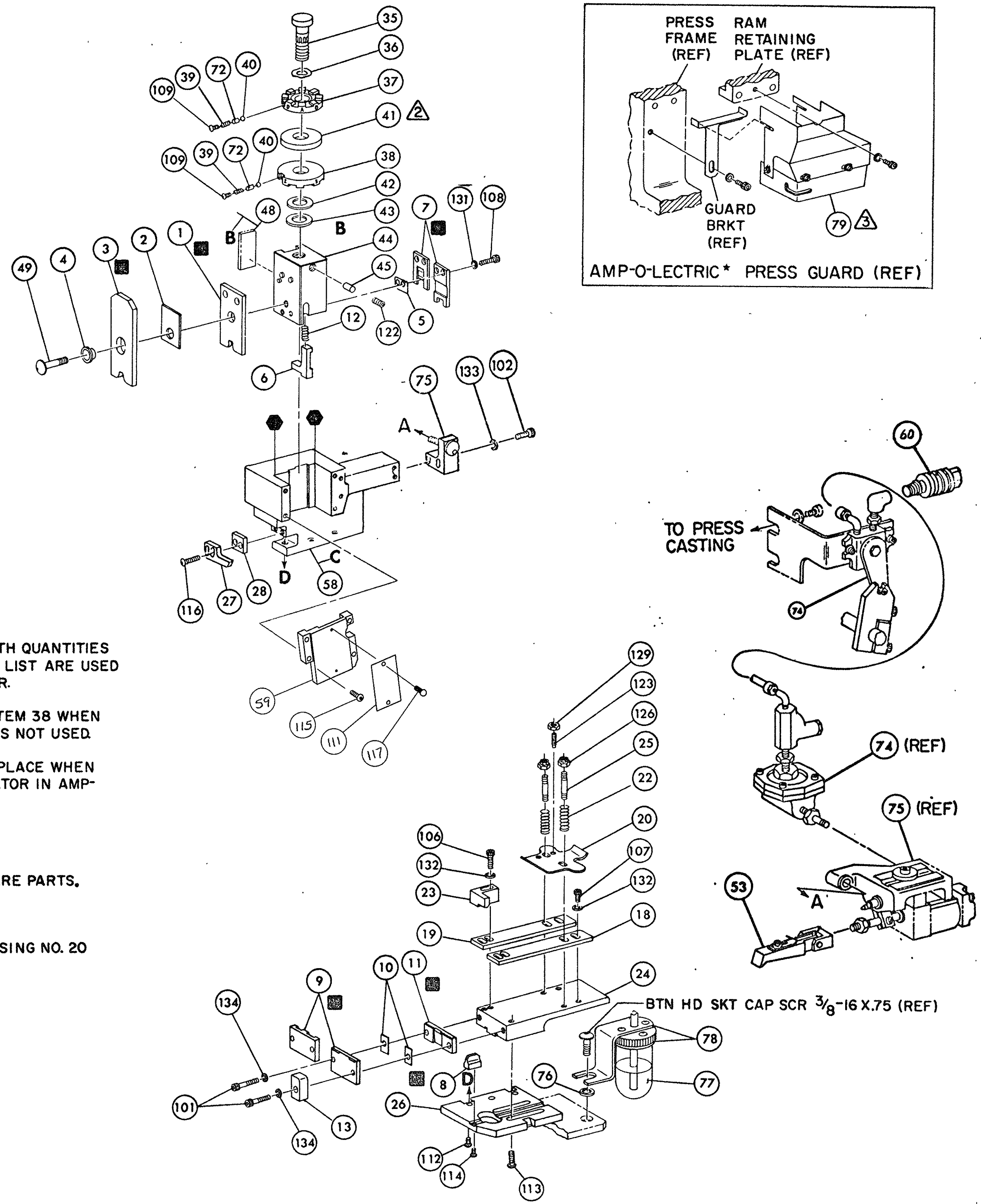


THIS DRAWING IS A CONTROLLED DOCUMENT.

THIS DRAWING IS UNCLASSIFIED DATE 07/11/01 BY AMP INCORPORATED. ALL RIGHTS RESERVED.

DIST 66

AMP 3076-2 REV 8-74



NOTES:

1. ONLY THE ITEMS WITH QUANTITIES SPECIFIED ON PARTS LIST ARE USED ON THIS APPLICATOR.

▲ USED IN PLACE OF ITEM 38 WHEN INSULATION CRIMP IS NOT USED.

▲ GUARD MUST BE IN PLACE WHEN OPERATING APPLICATOR IN AMP-O-LECTRIC PRESS.

KEY:

■ RECOMMENDED SPARE PARTS.

▲ LUBRICATE DAILY USING NO. 20 MACHINE OIL.

● GREASE LIGHTLY.

QTY	PART NO	DESCRIPTION	ITEM NO	QTY	PART NO	DESCRIPTION	ITEM NO
	21045-3	RING, RETAINING 'C' (.187 DIA) FEED PIN	145		454220-1	CAP, RAM	59
	5-21028-1	PIN, SLOT SPG (.12 DIA X .50) FD ADJ ROD	143		453736-1	HOUSING	58
	1-21030-7	PIN, DOWEL (.187 DIA X 1.50) HOUSING	141		240624-1	PIN, FEED FINGER	56
	1-21030-1	PIN, DOWEL (.187 DIA X .50) LEVER	140			SPRING, FEED FINGER	55
	22260-5	WASHER, FLAT (NO 6) DRAG SPRING	139		460680-2	FINGER, FEED ASS'Y	54
	21899-4	WASHER, FLAT (5/16 DIA) SCR ADJ	138		240634-	LEVER, TERMINAL	53
	21024-5	WASHER, LOCK (NO 10) FEED ADJ PLATE	136				51
	2	21024-5	WASHER, LOCK (NO 10) SHEAR PLATES	135	7-21002-9	BOLT, CRIMPER	50
	2	21024-5	WASHER, LOCK (NO 10) AIR FEED ASS'Y	134		CAM, FEED STROKE	49
	5	21024-4	WASHER, LOCK (NO 8) STRIP GUIDE	133			48
	2	21024-4	WASHER, LOCK (NO 8) SHEAR BLADE	132			47
				131	690191-1	PLUG, NYLON	46
				130	455674-1	RAM	45
	2	21018-4	NUT, HEX MACH (4-40) DRAG	129	690125-1	WASHER, LAMINATED	44
				128	690124-1	WASHER, RAM	43
				127		SPACER, DISC	42
	2	21022-2	NUT, HEX SELF-LKG (8-32) DRAG STUD	126	23241-6	BALL, STEEL	41
				125	690170-1	SPRING, COMPRESSION	40
				124	690142-1	DISC, INSULATION	39
	2	4-21078-8	SCR, SKT SET OVAL POINT (4-40 X .75) DRAG	123	5-692155-0	DISC, WIRE	38
	1	21009-2	SCR, SKT SET (1/4-20 X 25) (LOC-WEL) RAM	122	22480-5	WASHER, SPRING	37
				121	690212-1	POST, RAM	36
				120			35
				119			34
				118	458980-	APPLICATOR, BASIC (SUB ASSY)	33
	2	21017-2	SCR, DRIVE (#2 X .19) ID PLATE	117			32
	2	2-21002-2	SCR, BTN HD SKT CAP (8-32 X .50) STRIPPER	116			31
	4	2-21002-9	SCR, BTN HD SKT CAP (10-32 X .75) HSG CAP	115			30
	1	22733-8	SCR, BTN HD SKT CAP (8-32 X .38) (LOC-WEL) ANVIL	114	3-690451-2	SPACER, STRIPPER	29
	4	3-21002-3	SCR, BTN HD SKT CAP (1/4-20 X .50) STR GDE PL	113	692967-1	STRIPPER	28
	3	2-22733-9	SCR, BTN HD SKT CAP (1/4-20 X .75) BASE PL	112	455676-1	PLATE, BASE	27
	1	461264-1	PLATE, ID	111	22354-8	DRAG, STUD	26
				110	455678-1	PLATE, STRIP GUIDE	25
	2	23030-1	SCR, SKT HD CAP (6-32 X 1.00) DRAG ADAPTOR	109	240825-3	PLATE, STRIP HOLD	24
	2	2-21000-8	SCR, SKT HD CAP (8-32 X .62) SHEAR BLADE	108	4-22281-1	SPRING, DRAG	23
	3	2-21000-6	SCR, SKT HD CAP (8-32 X .38) STRIP GUIDE	107	240636-1	LEVER, DRAG	22
	2	2-21000-9	SCR, SKT HD CAP (8-32 X .75) STRIP GUIDE	106	454177-1	DRAG, STOCK	21
				105	454204-3	GUIDE, STRIP (REAR)	20
				104	454204-3	GUIDE, STRIP (FRONT)	19
				103	454178-1	GUIDE, FEED ROD	18
	2	3-21000-9	SCR, SKT HD CAP (10-32 X 1.00) DRAG SPRING	102	4-22284-9	SPRING, FEED RETURN	17
	2	3-21000-6	SCR, SKT HD CAP (10-32 X .62) FD ADJ PLATE	101		ADAPTER, DRAG	16
	1	455750-8	GUARD ASS'Y	79			15
				78	690481-4	SPACER, HOLD DOWN	14
				77	23846-1	SPRING, HOLD DOWN	13
				76	240644-3	PLATE, REAR SHEAR	12
	1	460277-1	AIR FEED ASSY	75	1-240645-1	SPACER, SHEAR PLATE	11
	1	692655-1	AIR FEED VALVE ASSY - 692655-5	74	240642-4	PLATE, FRONT SHEAR	10
				73	6-240693-9	ANVIL	9
	2	690603-1	SPRING, ASSIST	72	2-240651-8	BLADE, SLUG	8
				71	455892-5	HOLD DOWN, TERMINAL	7
				70	4-240641-5	SPACER, SHEAR BLADE	6
				69	238009-1	SPACER, TUBULAR	5
				68	456134-6	CRIMPER, INSULATION	4
				67	455888-7	SPACER, INSULATION	3
				66	2-456407-9	CRIMPER, WIRE	2
				65			1

REMARKS	NO	REV
	TO APPLY TERMINAL SPEC 114-2017	
PPL USED ON MACHINE PART NO	MACH SERIAL NO	DISTRIBUTION
CUSTOMER NAME	APPL SERIAL NO	ORIGINAL
ADDRESS	PURCHASE ORDER	CUSTOMER COPY
CITY	ENG APP	FIELD ENG COPY

CRIMPING DATA				APPLICATOR WILL APPLY	
PAD LTR	CRIMP HEIGHT	WIRE SIZE	WIRE STRIP LENGTH		
A	.077	14			61412
B	.067	16			61597
C	.060	18			61790
D	NOT USED				
CRIMP	SIZE	TYPE	FEED	APPL INST	
WIRE	.100	F	.895	A1 8039	
INSUL	.180	F			
WIRE RANGE	18-14	INSULATION RANGE	120-.175	PRESS NO	565435-5
REMARKS	PRE-FEED AMP-O-LECTRIC AIR FEED				

ECN 0150-9329-99	TR 5-99	SET UP PAGE 10-1	AMP INCORPORATED
ECN 0150-7276-96	TR 11/96	4558638-1379	Harrisburg, Pa.
ECN AIG5288	TR 12-88	DR 8-23-76 APP 8/30/88	
REV PER ECN R 5477	TR 11/98		
REV PER ECN R 4048	TR 11/98		
ADD TERM 61597 PER R 3638	TR 7-80		
ADD TERM 61412 PER R 3209	TR 9-79		
ECN 0150-0287-04	TR 3-84		
ECN 0150-0563-02	TR 4-82		
ADD TERM 61412 PER R 3209	TR 9-79		

NAME: MINIATURE QUICK CHANGE APPLICATOR
 END FEED (.180 DIA. SHUR PLUG)
 CUSTOMER AND ASSEMBLY DRAWING