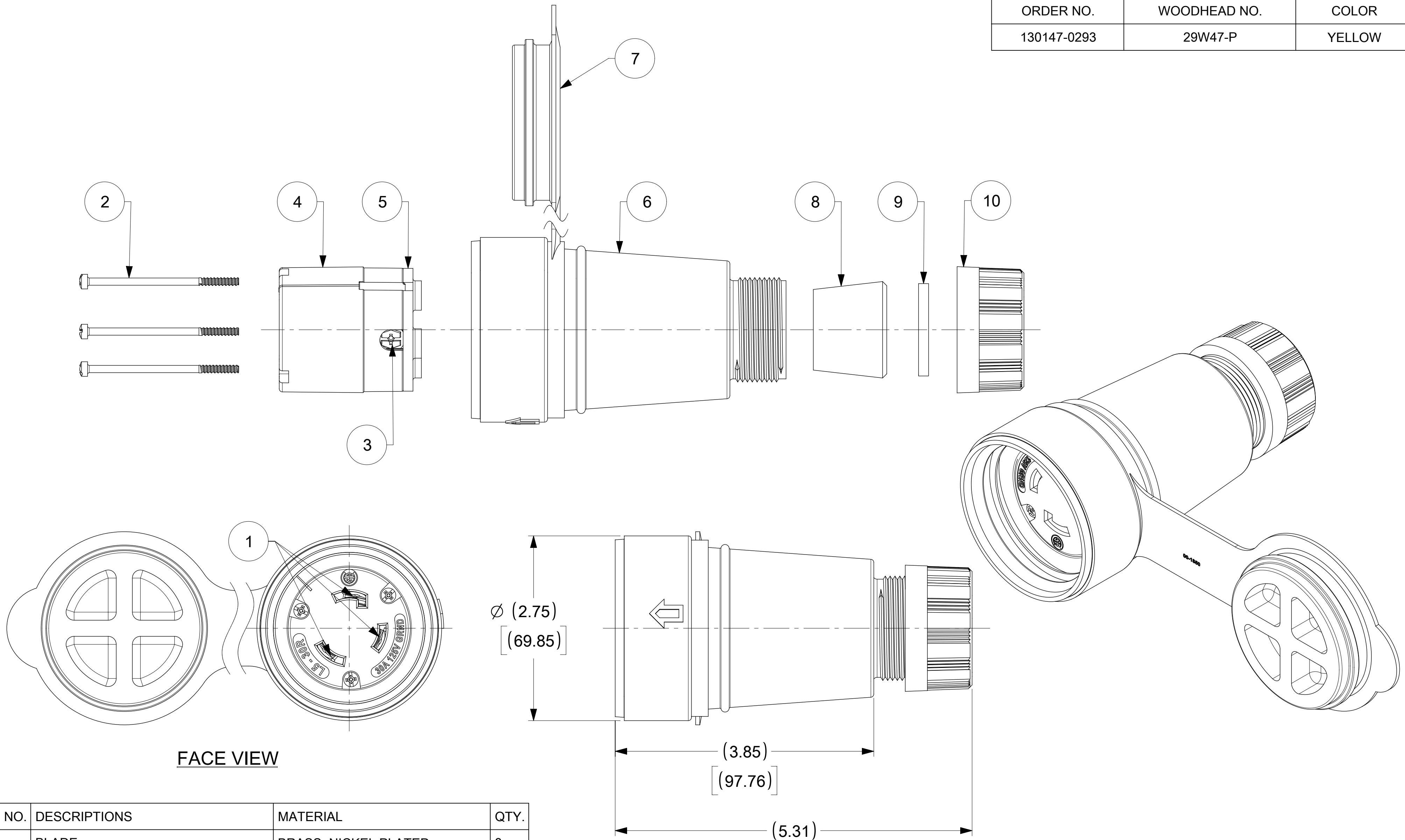


ORDER NO.	WOODHEAD NO.	COLOR
130147-0293	29W47-P	YELLOW



FACE VIEW

ITEM NO.	DESCRIPTIONS	MATERIAL	QTY.
1	BLADE	BRASS, NICKEL PLATED	3
2	RETAINING SCREWS	STAINLESS STEEL	3
3	CLAMP AND TERMINAL SCREW ASSY	BRASS, ZINC PLATED	3
4	INSERT	NYLON	1
5	TERMINAL COVER	POLYCARBONATE	1
6	HOUSING	SILICON WITH NYLON THREAD	1
7	COVER CLOSURE	SILICON WITH NYLON THREAD	1
8	GROMMET	RUBBER	4
9	FRICTION RING	NYLON	1
10	COMPRESSION NUT	NYLON	1

SYMBOLS		THIS DRAWING CONTAINS INFORMATION THAT IS PROPRIETARY TO MOLEX ELECTRONIC TECHNOLOGIES, LLC AND SHOULD NOT BE USED WITHOUT WRITTEN PERMISSION		CURRENT REV DESC: RELEASED		
▽ = 0	INCH[MM]	SCALE	NTS	molex WATERTITE CONNECTOR 2P3W L5-30 PRODUCT CUSTOMER DRAWING		
▽ = 0	GENERAL TOLERANCES (UNLESS SPECIFIED)		EC NO: 614382 DRWN: DSOPPIN 2018/12/27 CHK'D: DNGUYEN62 2019/04/17 APPR: HKNEELAND 2019/04/17			
▽ = 0		MM	INCH			INITIAL REVISION: DRWN: DSOPPIN 2018/12/27 APPR: HKNEELAND 2019/04/17
▽ = 0	4 PLACES ±			DOCUMENT NUMBER	DOC TYPE	
▽ = 0	3 PLACES ±			1301470293	PSD	
▽ = 0	2 PLACES ±				000	
▽ = 0	1 PLACE ±				A	
▽ = 0	0 PLACES ±			MATERIAL NUMBER	CUSTOMER	
▽ = 0	ANGULAR TOL ± °			SEE TABLE	GENERAL MARKET	
▽ = 0	DRAFT WHERE APPLICABLE MUST REMAIN WITHIN DIMENSIONS	THIRD ANGLE PROJECTION	DRAWING	SHEET NUMBER	1 OF 1	
▽ = 0			C-SIZE	130147		