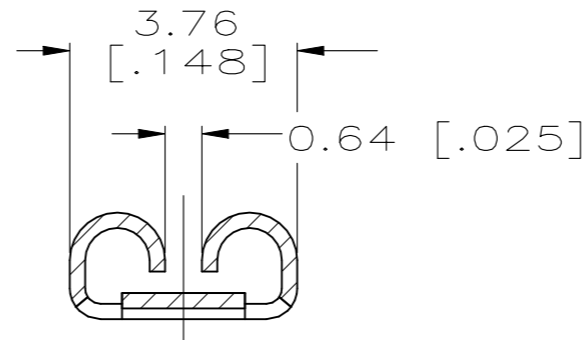
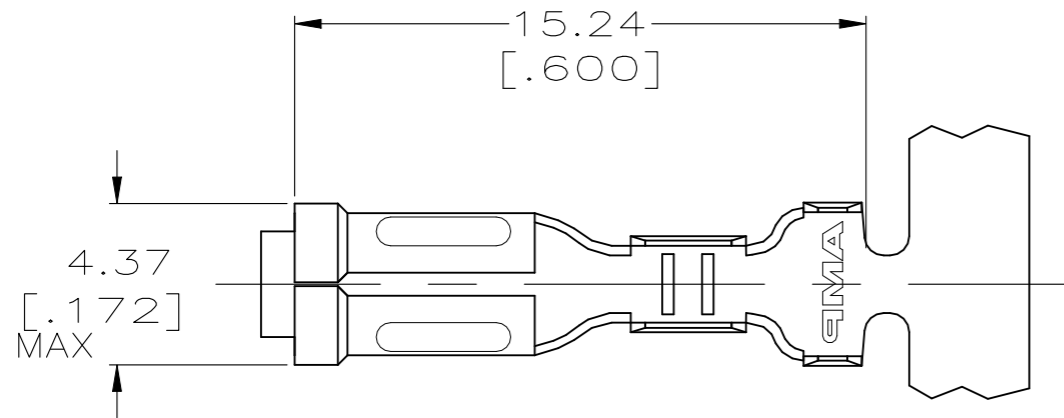
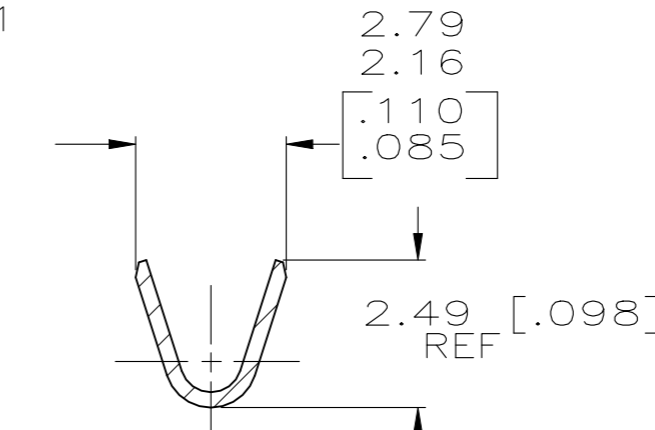
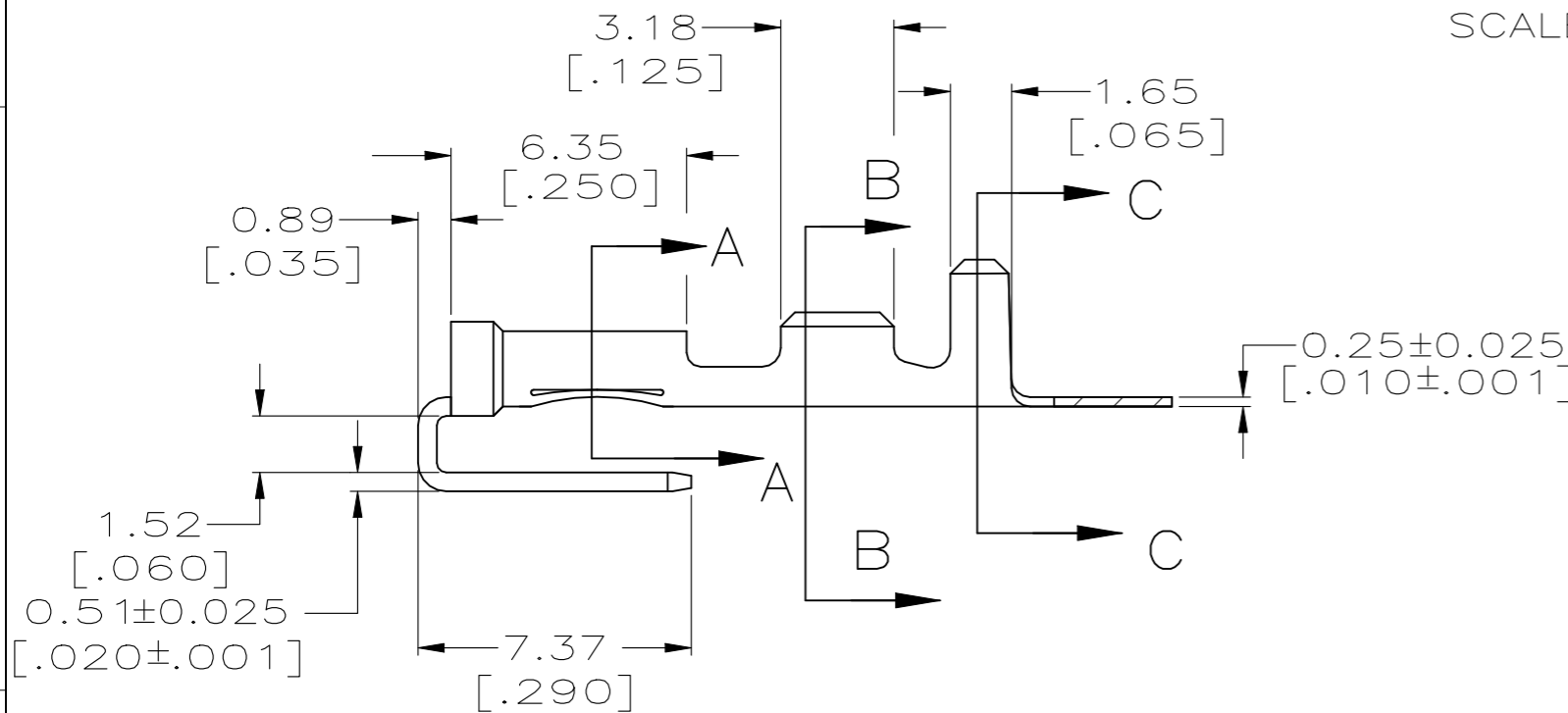


P	LTR	DESCRIPTION	DATE	DWN	APVD
	B1	REVISED PER ECR-21-113405	31MAY2022	SS	DH

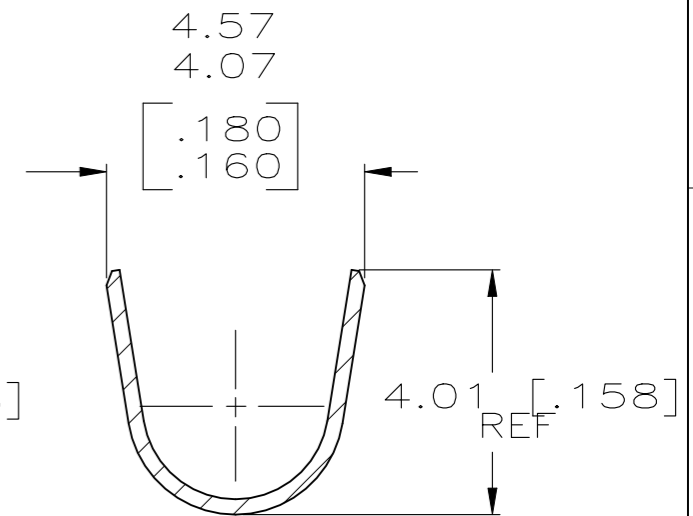
- 1 CONTINUOUS STRIP ON REELS.
- 2 MATING TAB THK IS 0.508 ± 0.025 OR 0.457 ± 0.025 [$0.020 \pm .001$ OR $.018 \pm .001$].
- 3 WIRE SIZE IS [#22-#18] AWG.
- 4 INSULATION RANGE IS 2.03-3.05 [$.080-.120$] DIA.
- 5 THE GAP ON THE ROLLS TO BE IN CONTACT WITH THE TAB FOR THE LENGTH OF THE ROLL BEHIND THE LEAD-IN.



SECTION A-A
SCALE 8:1



SECTION B-B
SCALE 8:1



SECTION C-C
SCALE 8:1

1217083-1
PART NO.

THIS DRAWING IS A CONTROLLED DOCUMENT.		DWN JR RUTH 4/22/98	TE Connectivity				
DIMENSIONS: mm [INCHES]		CHK MS FEHER 4/22/98					
TOLERANCES UNLESS OTHERWISE SPECIFIED: 0 PLC ± - 1 PLC ± - 2 PLC ± 0.25 [.010] 3 PLC ± - 4 PLC ± - ANGLES ± -		APVD J GILLESPIE 4/22/98	NAME				
		PRODUCT SPEC	RECEPTACLE, FASTON, PIGGYBACK, 2.79 [.110] SERIES				
MATERIAL BRASS		FINISH -	APPLICATION SPEC	SIZE A3	CAGE CODE 00779	DRAWING NO C-1217083	RESTRICTED TO
CUSTOMER DRAWING			WEIGHT 0.000000	SCALE 5:1	SHEET 1 OF 1	REV B1	