

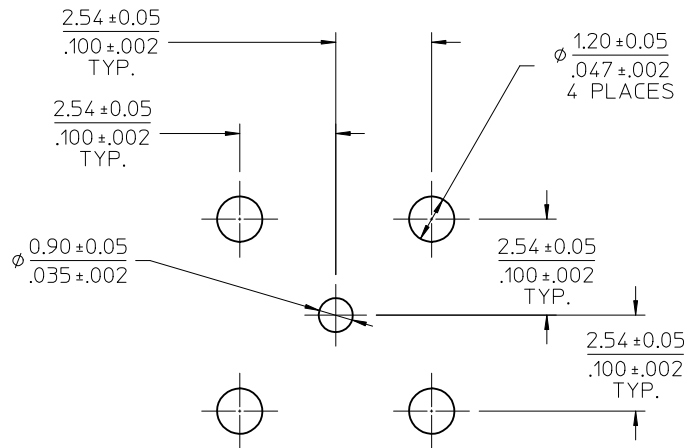
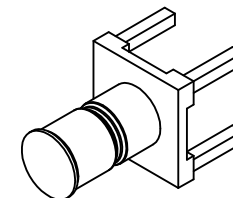
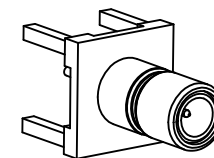
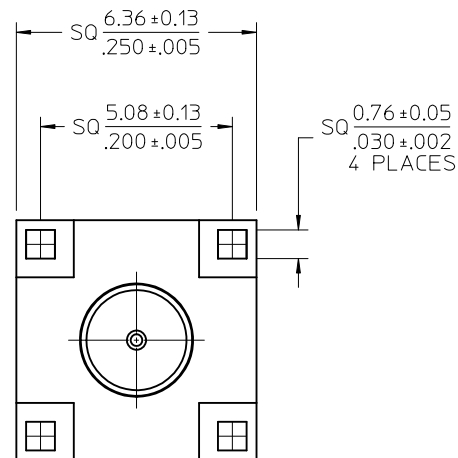
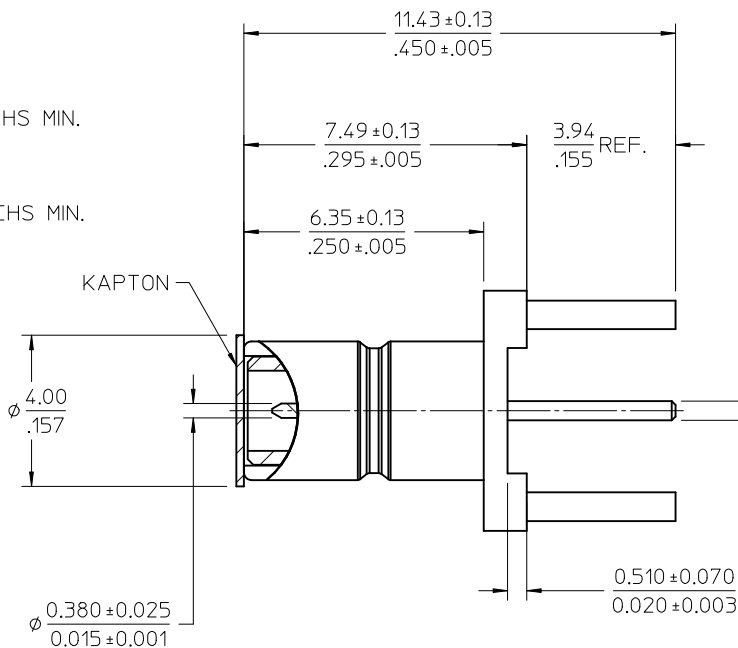
MATERIAL AND FINISHES

BODY BRASS
PLATED GOLD 10 MICROINCHS MIN.

CENTER CONTACT BRASS
PLATED GOLD 30 MICROINCHS MIN.

INSULATOR TEFLON

PACKAGING SEE TABLE



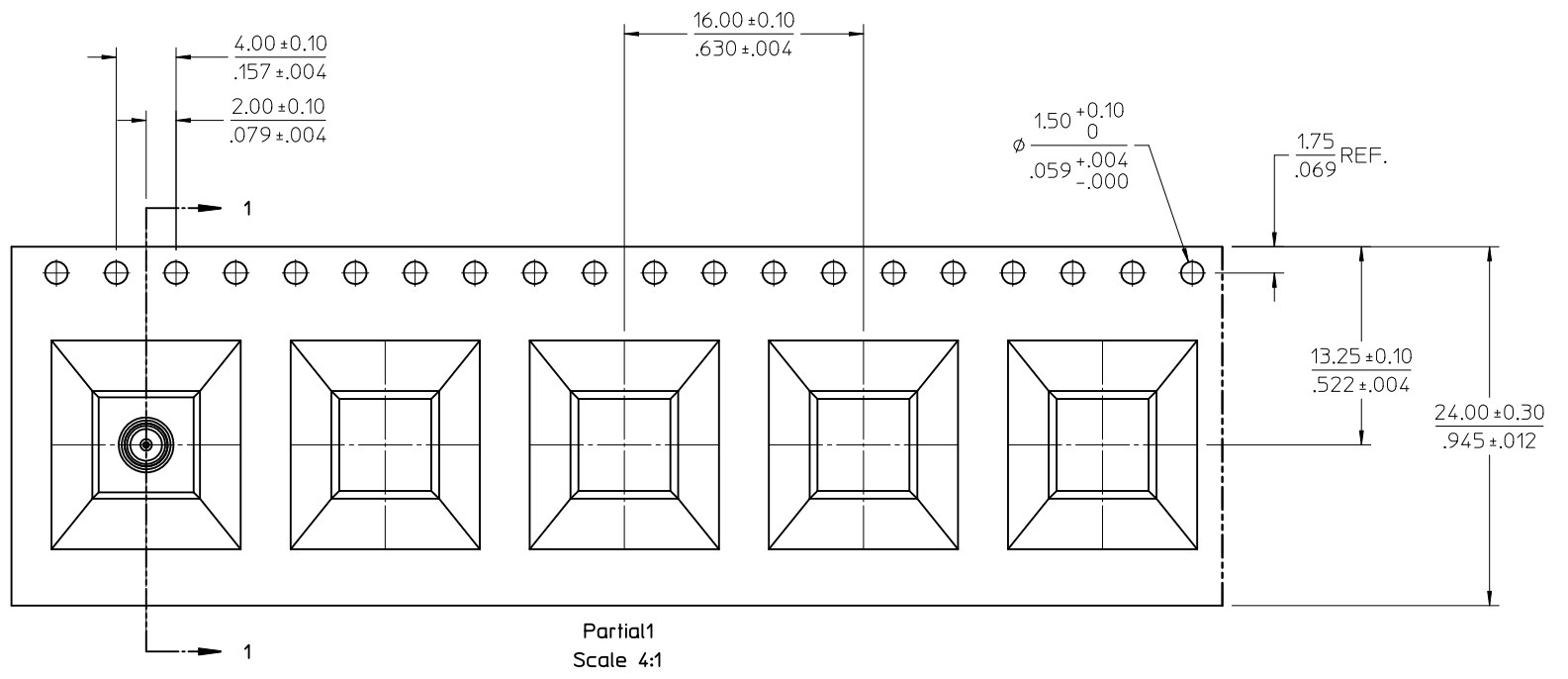
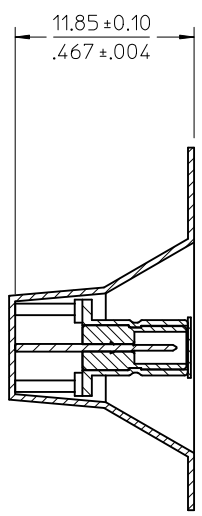
PS-89675-3540	ELECTRICAL/MECHANICAL
SPECIFICATION	DESCRIPTION

73404-6191	TAPE AND REEL WITH KAPTON
73404-6190	TRAY WITHOUT KAPTON
PART NO.	DESCRIPTION

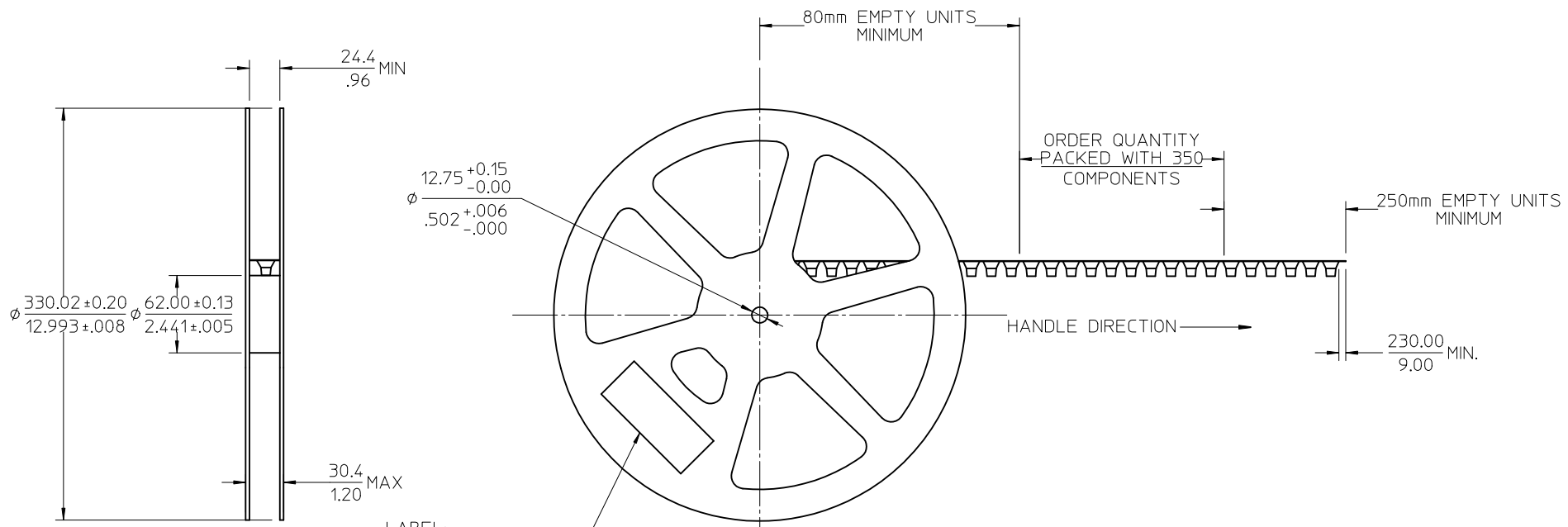
ADDED P/N: 73404-6191 PER PDR12031017 EC NO: URF2012-0538 DRW:LIN 2012/03/12 CHKD: APPR:MHUANG 2012/03/19 REV: A1	QUALITY SYMBOLS	GENERAL TOLERANCES (UNLESS SPECIFIED)	DIMENSION STYLE MM/IN	SCALE 8:1	DESIGN UNITS METRIC	THIRD ANGLE PROJECTION																		
		<table border="1"> <tr> <th></th> <th>mm</th> <th>INCH</th> </tr> <tr> <td>4 PLACES</td> <td>± ---</td> <td>± ---</td> </tr> <tr> <td>3 PLACES</td> <td>± ---</td> <td>± ---</td> </tr> <tr> <td>2 PLACES</td> <td>± ---</td> <td>± ---</td> </tr> <tr> <td>1 PLACE</td> <td>± ---</td> <td>± ---</td> </tr> <tr> <td>0 PLACE</td> <td>±</td> <td>±</td> </tr> </table>		mm	INCH	4 PLACES	± ---	± ---	3 PLACES	± ---	± ---	2 PLACES	± ---	± ---	1 PLACE	± ---	± ---	0 PLACE	±	±	DRAWN BY EL IN DATE 2010/07/14 CHECKED BY JOANNE DATE 2010/07/14 APPROVED BY MHUANG DATE 2010/07/22	TITLE SMB JACK VERTICAL 75 OHMS SMB-J/PCB molex		
		mm	INCH																					
	4 PLACES	± ---	± ---																					
3 PLACES	± ---	± ---																						
2 PLACES	± ---	± ---																						
1 PLACE	± ---	± ---																						
0 PLACE	±	±																						
	ANGULAR ± 2°	DRAFT WHERE APPLICABLE MUST REMAIN WITHIN DIMENSIONS	SEE TABLE	DOCUMENT NO. SD-73404-619	SHEET NO. 1 OF 3																			
			THIS DRAWING CONTAINS INFORMATION THAT IS PROPRIETARY TO MOLEX INCORPORATED AND SHOULD NOT BE USED WITHOUT WRITTEN PERMISSION																					

13 12 11 10 9 8 7 6 5 4 3 2 1

J I H G F E D C B A



SEE SHEET 1 IEC NO: URF2012-0538 DRAWN IN: DRWINELIN 2012/03/12 CHKD: JAPPR:MHUANG 2012/03/19 APPR:MHUANG 2012/03/19	QUALITY SYMBOLS	GENERAL TOLERANCES (UNLESS SPECIFIED)	DIMENSION STYLE	SCALE	DESIGN UNITS	THIRD ANGLE PROJECTION
	▽=0	mm INCH	MM/IN	4:1	METRIC	☉
	▽=0	4 PLACES ± --- ± ---	DRAWN BY DATE	EL IN 2010/07/14	SMB JACK VERTICAL 75 OHMS SMB-J/PCB	
	▽=0	3 PLACES ± --- ± ---	CHECKED BY DATE	JOANNE 2010/07/14	molex DOCUMENT NO. SD-73404-619 SHEET NO. 2 OF 3	
	▽=0	2 PLACES ± --- ± ---	APPROVED BY DATE	MHUANG 2010/07/22		
REV	DESCRIPTION	ANGULAR ± 2 °	MATERIAL NO.	THIS DRAWING CONTAINS INFORMATION THAT IS PROPRIETARY TO MOLEX INCORPORATED AND SHOULD NOT BE USED WITHOUT WRITTEN PERMISSION		
A1		DRAFT WHERE APPLICABLE MUST REMAIN WITHIN DIMENSIONS	SEE SHEET 1			



LABEL:
 - ORDER NO.
 - QUANTITY
 - PART NUMBER
 - LOT NO.

SEE SHEET 1 EC NO: URF2012-0538 DRWNL IN 2012/03/12 CHKD: JAPPR:MHUANG APPR:MHUANG 2012/03/19	QUALITY SYMBOLS 	GENERAL TOLERANCES (UNLESS SPECIFIED) <table border="1"> <thead> <tr> <th></th> <th>mm</th> <th>INCH</th> </tr> </thead> <tbody> <tr> <td>4 PLACES</td> <td>± ---</td> <td>± ---</td> </tr> <tr> <td>3 PLACES</td> <td>± ---</td> <td>± ---</td> </tr> <tr> <td>2 PLACES</td> <td>± ---</td> <td>± ---</td> </tr> <tr> <td>1 PLACE</td> <td>± ---</td> <td>± ---</td> </tr> <tr> <td>0 PLACE</td> <td>±</td> <td>±</td> </tr> </tbody> </table>		mm	INCH	4 PLACES	± ---	± ---	3 PLACES	± ---	± ---	2 PLACES	± ---	± ---	1 PLACE	± ---	± ---	0 PLACE	±	±	DIMENSION STYLE MM/IN DRAWN BY EL IN DATE 2010/07/14 CHECKED BY JOANNE DATE 2010/07/14 APPROVED BY MHUANG DATE 2010/07/22	SCALE 1:1 DESIGN UNITS METRIC THIRD ANGLE PROJECTION	TITLE SMB JACK VERTICAL 75 OHMS SMB-J/PCB molex
		mm	INCH																				
	4 PLACES	± ---	± ---																				
	3 PLACES	± ---	± ---																				
2 PLACES	± ---	± ---																					
1 PLACE	± ---	± ---																					
0 PLACE	±	±																					
A1	DESCRIPTION DRAFT WHERE APPLICABLE MUST REMAIN WITHIN DIMENSIONS	ANGULAR ± 2 ° SEE SHEET 1	MATERIAL NO. DOCUMENT NO. SD-73404-619	SHEET NO. 3 OF 3	THIS DRAWING CONTAINS INFORMATION THAT IS PROPRIETARY TO MOLEX INCORPORATED AND SHOULD NOT BE USED WITHOUT WRITTEN PERMISSION																		