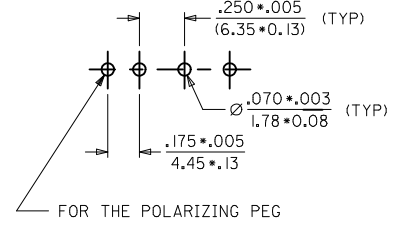
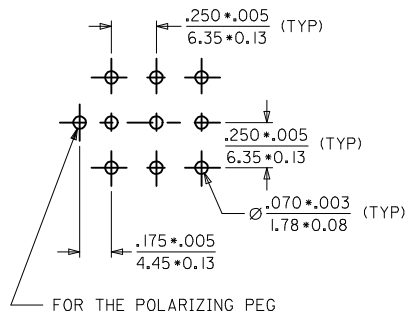


P.C. BOARD MOUNTING DIMENSIONS

2 & 3 POSITION HEADER ASSEMBLIES



9 POSITION HEADER ASSEMBLY



NOTES:

- MATERIAL CODES:
 HOUSING:
 A = POLYESTER (PBT), UL94V-0, COLOR: NATURAL(WHITE)
 B = POLYESTER (PBT), UL94V-0, COLOR: BRICK RED
 C = NYLON (PA66), UL94V-2, COLOR: NATURAL(TRANSLUCENT)
 TERMINAL: PHOSPHOR BRONZE
- PLATING CODES: ES-88-P921
 140 Min(3.5M) MIN 240 Min(6M) MAX OVERALL TIN HOT-DIPPED
- TERMINAL LENGTH IS SUITABLE FOR .062/(1.57mm) THICK PC BOARD
- DIMENSIONS ARE FOR REFERENCE ONLY UNLESS INDICATED OTHERWISE
- HEADER ASSEMBLY HOUSING MATE WITH:
 PLUG HOUSINGS, .084/(2.13) DIA. SERIES 42021
- CONTACTS ARE ON .250/(6.35) GRID CENTERLINE SPACING

PLATING SPEC CHANGED TO ES-88-P921 EC NO: 12016-0114 CHKD: 2016/05/20 APPR: ISHWARG 2016/08/30	QUALITY SYMBOLS ▽=0 ▽=0 ▽=0	GENERAL TOLERANCES (UNLESS SPECIFIED)		DIMENSION STYLE		SCALE	DESIGN UNITS	THIRD ANGLE PROJECTION
				IN/MM		NTS	INCH	
DESCRIPTION	4 PLACES	± ---	± ---	DRAWN BY	DATE	TITLE HEADER HOUSING ASSEMBLY .084/(2.13) SERIES W/O COMPLIANT/POLARIZING PEG		
	3 PLACES	± ---	± 0.010	S.S	01/09/28			
	2 PLACES	± 0.25	± 0.014	CHECKED BY	DATE	DOCUMENT NO. SD-36563-001		
	1 PLACE	± 0.36	± ---	G.L	01/09/28			
	0 PLACE	±	±	APPROVED BY	DATE	SHEET NO. 1 OF 1		
				G.L	01/09/28			
	ANGULAR ±1/2°			MATERIAL NO.		THIS DRAWING CONTAINS INFORMATION THAT IS PROPRIETARY TO MOLEX INCORPORATED AND SHOULD NOT BE USED WITHOUT WRITTEN PERMISSION		
	DRAFT WHERE APPLICABLE MUST REMAIN WITHIN DIMENSIONS			SEE CHART				

ITEM NO.	CIRCUIT SIZE	MATERIAL COLOR (SEE NOTE 1)
36563-0001	2	A
36563-0002		B
36563-0003		C
36563-0004	3	A
36563-0005		B
36563-0006		C
36563-0007	4	A
36563-0008		B
36563-0009		C
36563-0010	6	A
36563-0011		B
36563-0012		C
36563-0013	9	A
36563-0014		B
36563-0015		C
36563-0016	12	A
36563-0017		B
36563-0018		C
36563-0019	15	A
36563-0020		B
36563-0021		C

PLATING SPEC CHANGED TO ES-664921 EC NO: 12016-0114 DRAWN: SS06 2016/05/20 CHKD: APPR: ISHWARG 2016/08/30	QUALITY SYMBOLS ▽=0 ▽=0 ▽=0	GENERAL TOLERANCES (UNLESS SPECIFIED)		DIMENSION STYLE		SCALE	DESIGN UNITS	THIRD ANGLE PROJECTION		
			mm	INCH	IN/MM		NTS		INCH	
		4 PLACES	± ---	± ---	DRAWN BY	DATE	TITLE		HEADER HOUSING ASSEMBLY .084/(2.13) SERIES W/O COMPLIANT/POLARISING PEG molex	
		3 PLACES	± ---	± 0.010	S.S	01/09/28				
2 PLACES	± 0.25	± 0.014	CHECKED BY	DATE						
1 PLACE	± 0.36	± ---	G.L	01/09/28						
0 PLACE	±	±	APPROVED BY	DATE						
		ANGULAR ±1/2°		G.L	01/09/28					
DRAFT WHERE APPLICABLE MUST REMAIN WITHIN DIMENSIONS				MATERIAL NO.		DOCUMENT NO.		SHEET NO.		
				SEE CHART		SD-36563-001		2 OF 2		
				THIS DRAWING CONTAINS INFORMATION THAT IS PROPRIETARY TO MOLEX INCORPORATED AND SHOULD NOT BE USED WITHOUT WRITTEN PERMISSION						