

■ Features

- Single output from 31-36W
- 100-240Vac Universal Input
- Frequency: 47-63Hz
- Ripple: 200mVp-p
- OVP, SCP, and Overload protection
- Efficiency Level: VI
- Available Plug types: US, EU, AU, UK, KC, CN plug
- Dimension: 76.3x43.8x39.5mm(exclude plug)



■ Application

- Consumer electronics, Telecom and office equipment
- Industrial equipment

*Product images are for illustrative purposes only and may vary from actual design.

■ Model List

Custom Designs Available!

| Model | Output Voltage | Output Current | Power | Certifications |
|------------------|----------------|----------------|-------|----------------|
| WM036P6-090-X-XX | 9V | 3.4A | 31W | UL, cUL |
| WM036P6-120-X-XX | 12V | 3A | 36W | UL, cUL |
| WM036P6-150-X-XX | 15V | 2.4A | 36W | UL, cUL |
| WM036P6-240-X-XX | 24V | 1.5A | 36W | UL, cUL |

■ Technical Data

| | |
|----------------------|---|
| Rated Voltage (1) | (9-24V) Available in 0.1V increments |
| Rated Power | 31-36W |
| Ripple & Noise (2) | 200mVp-p |
| Current Range | 0-4A |
| Total Regulation | +/- 5% |
| Overshoot/Undershoot | 10% |
| Turn On Delay (Max.) | 0.5-2s |
| Hold-up Time | 10ms @115Vac/60Hz max. load & 20ms @230Vac/50Hz |
| Rated Voltage | 100 ~ 240Vac (90-264Vac Operational) |
| Frequency Range | 47Hz ~ 63Hz |

1. Output voltage tolerance +/-5%
2. Max., Measuring is done by 20MHz bandwidth oscilloscope and terminated each output with a 22uF aluminum electrolytic capacitor and a 0.1uF ceramic capacitor. Full load, 25C ambient temperature at 115Vac and 230 Vac.

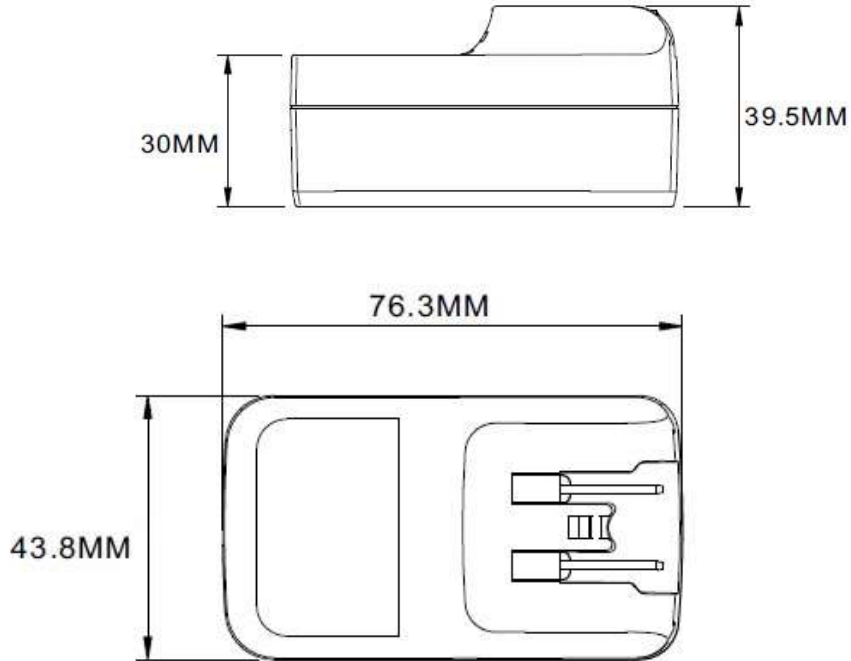
■ **Technical Data(cont.)**

| | |
|-------------------------------|---|
| Efficiency | ~86% |
| Inrush Current | 60A Max. @230Vac |
| AC Current (Typ.) | 0.75A / 100-240Vac |
| Short Circuit | Hiccup mode, no damage shall occur and the power supply shall restart when the fault condition is removed |
| Over Voltage | Latch mode, recycle AC to restart power supply |
| Overload | Hiccup mode, at 150% (Max.) rated load and the power supply shall restart when the fault condition is removed |
| Temperature Range Operational | 0°C ~ 40°C |
| Temperature Range Storage | - 10°C ~ +70°C |
| Humidity Operational | 20% ~90% R.H |
| Humidity Storage | 20% ~90% R.H |
| Altitude Operational | Will operate properly at altitudes between 0 to 10000ft |
| MTBF | >50,000 hours (Measured at 110Vac input, 100% Load and 25°C ambient temperature) |
| Burn-in | 2-4 Hours (Min.) at 40C (+/-5%) at full load with cycling |
| Dimension (L*W*H) | 76.3x43.8x39.5mm (+/-0.5mm) – 3x1.72x1.55 inch (US Design) |
| Weight | 188g |
| RoHS | Complies with EU Directive 2011/65/EU |
| Packaging | 45pc, bulk packaged in poly bags per shipping box |
| WEEE | Complies with EU Directive 2002/96/EC |
| EISA 2007 | Complies with requirements for external power supplies. |
| EU | Complies with EU Code of Conduct on external power supplies |

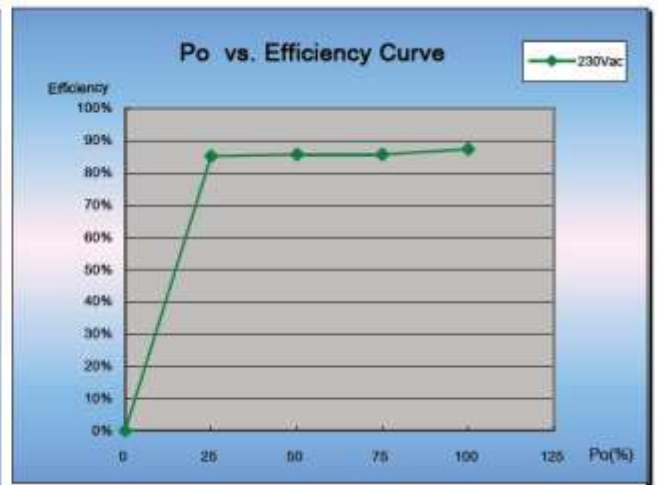
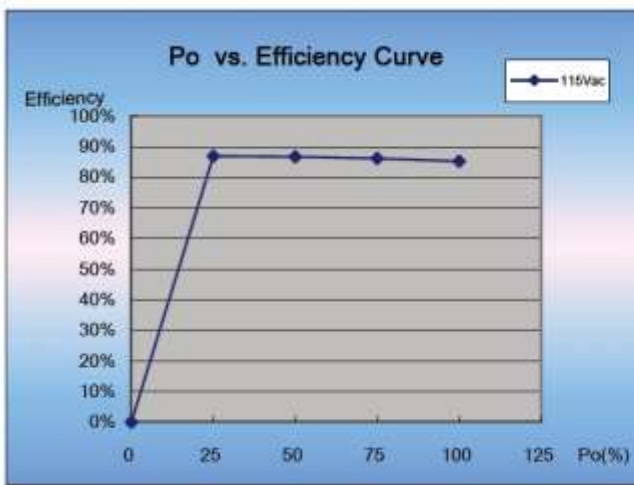
■ **Safety and EMC**

| | |
|---------------------------|---|
| Safety Standards | UL/cUL60065 |
| No load Power Dissipation | < 0.3W |
| Insulation Resistance | Input to output: Min. 10M OHM at 500 VDC. |
| Dielectric Strength | Primary to Secondary: DC 4525 V , 5mA Max , for 3 seconds |
| Conducted & Radiated EMI | EN 55022 Class B, CISPR22 Class B and FCC part 15 Class B |
| EMS | EN 61000-4-2, EN 61000-4-3, EN 61000-4-4, EN 61000-4-5, EN 61000-4-6, EN 61000-4-8, EN 61000-4-11 |

■ Mechanical Diagram



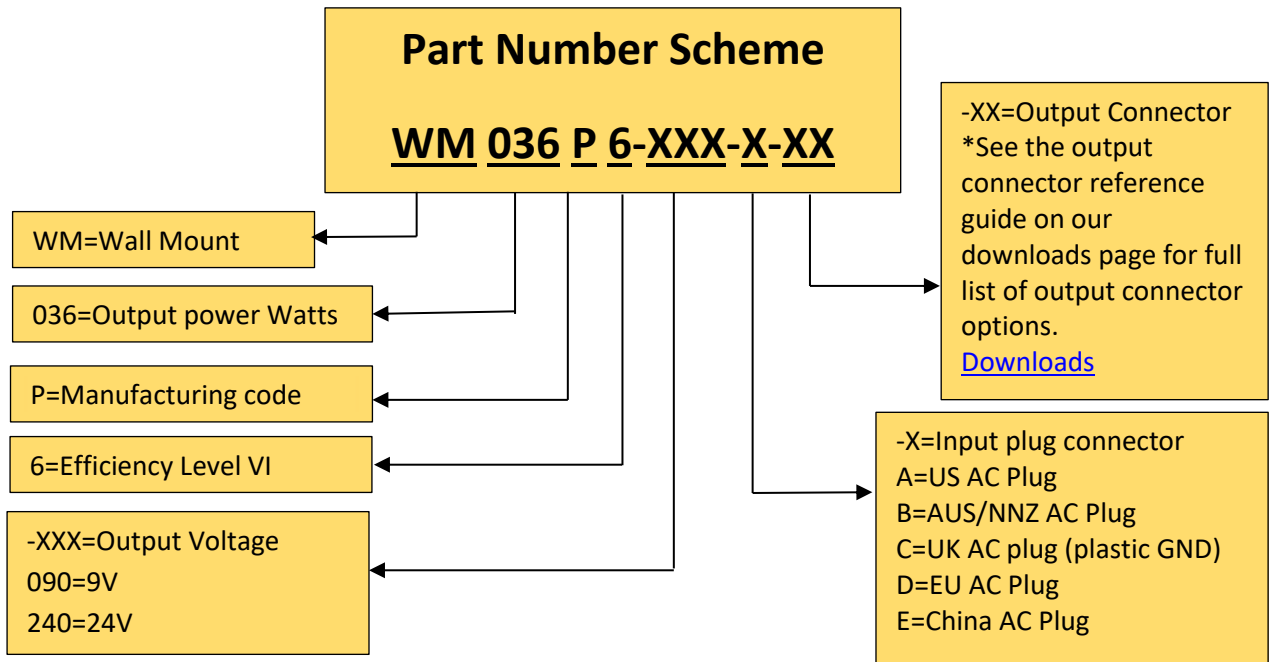
■ Efficiency Curve



Technical Sales / Customer Service: +1-818-338-7788 • Email: sales@autec.com

31328 Via Colinas Suite 102 • Westlake Village, CA 91362 USA • www.autec.com

April 19, 2019



***Some Safety Agency Approvals may differ from what is shown. Contact Autec Sales!**

***Product images are for illustrative purposes only and may vary from actual design.**

***Specifications are subject to change without notice. Autec is not responsible for issues arising from errors or omissions.**