

1

2

3

4

A

A

B

B

C

C

D

D

U\_TE0722  
TE0722.SchDoc



Serial  
Serial  
Serialnumber 6,3 x 6.3mm



Title: TE0722 - Overview		
A4	Number: TE0722 TE0722-02I	Rev. 02
Date: 2015-10-23	Copyright: Trenz Electronic GmbH	Page1 of 7
Filename: SoftPropeller_V1_40P14.SchDoc		

1

2

3

4

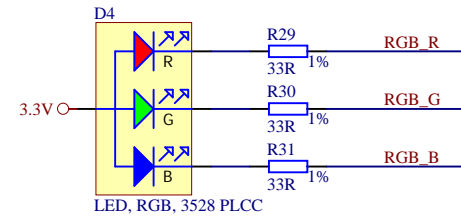
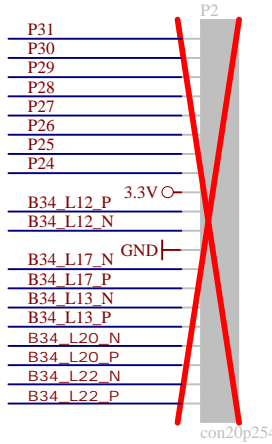
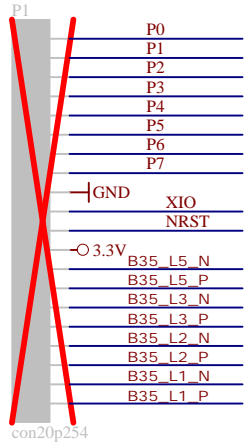
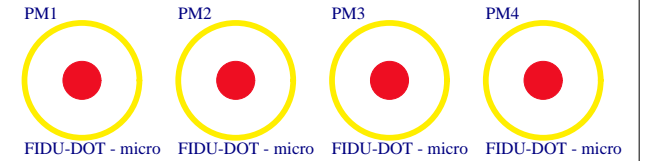
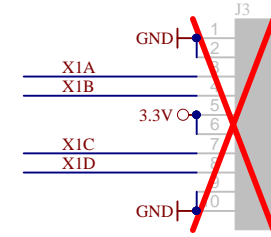
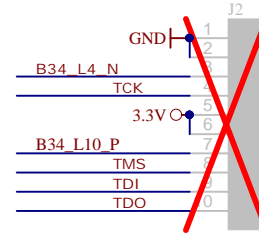
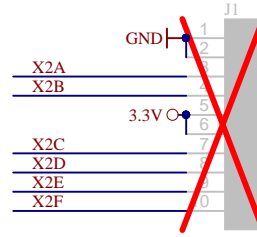
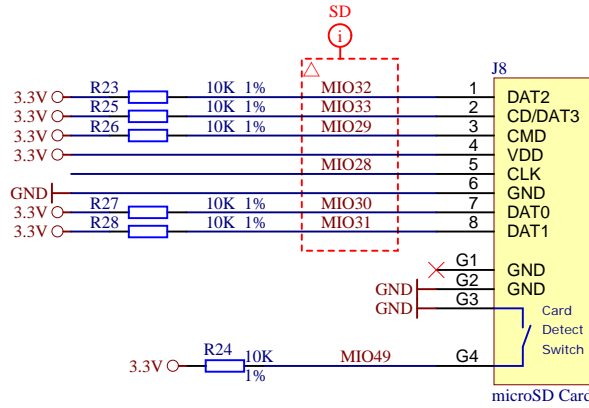
U\_FPGA\_B34  
FPGA\_B34.SchDoc

U\_FPGA\_B35  
FPGA\_B35.SchDoc

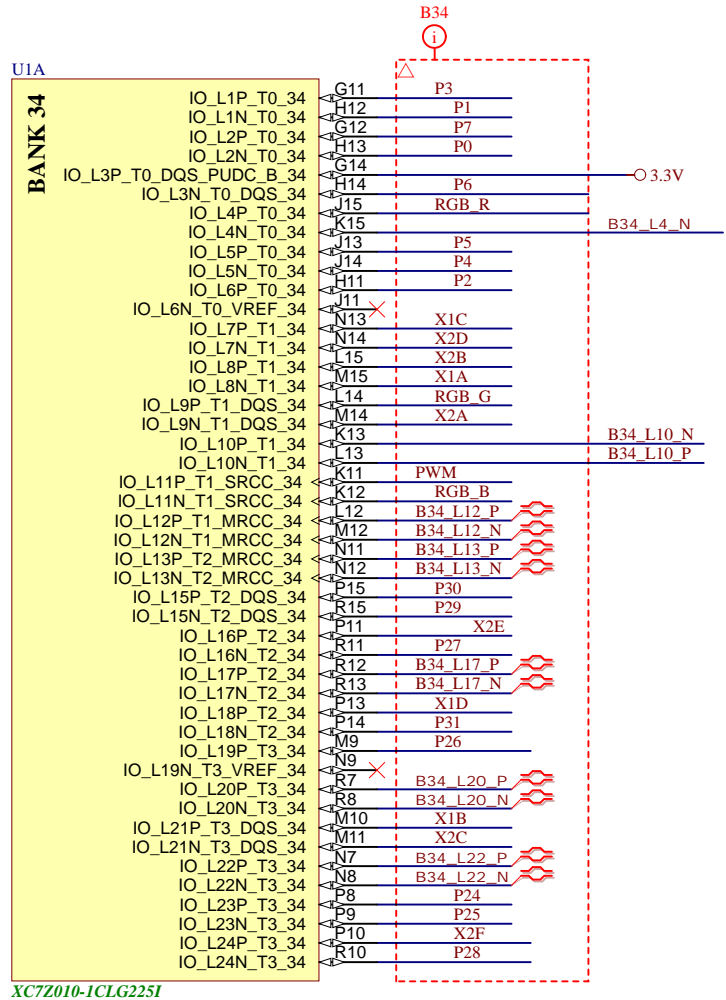
U\_FPGA\_MIO  
FPGA\_MIO.SchDoc


U\_FPGA\_PWR  
FPGA\_PWR.SchDoc

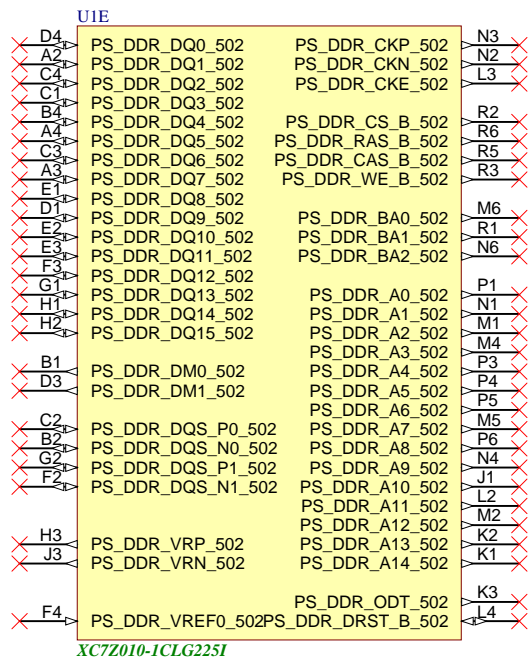
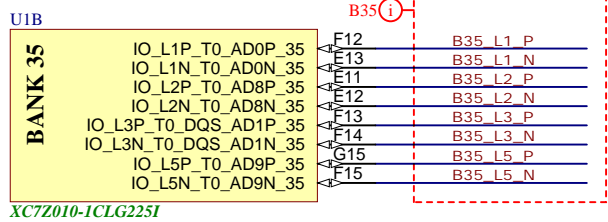
U\_POWER  
POWER.SchDoc



Title: TE0722 - Connectors		
A4	Number: TE0722 TE0722-02I	Rev. 02
Date: 2015-10-23	Copyright: Trenz Electronic GmbH	Page2 of 7
Filename: TE0722.SchDoc		



		Title: TE0722 - B34	
		A4	Number: TE0722 TE0722-02I
Date: 2015-10-23		Copyright: Trenz Electronic GmbH	
Page 3		of 7	
Filename: FPGA_B34.SchDoc			



Title: <b>TE0722 - B35</b>		
A4	Number: <b>TE0722 TE0722-02I</b>	Rev. <b>02</b>
Date: <b>2015-10-23</b>	Copyright: <b>Trenz Electronic GmbH</b>	Page <b>4</b> of <b>7</b>
Filename: <b>FPGA_B35.SchDoc</b>		

A

B

C

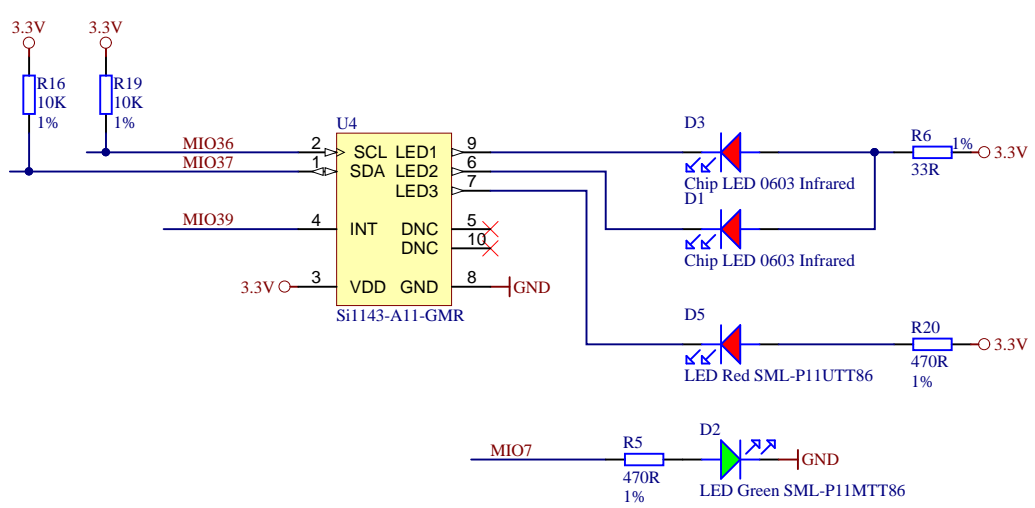
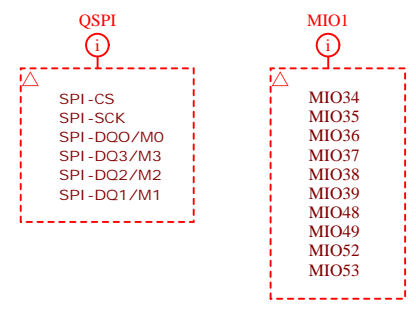
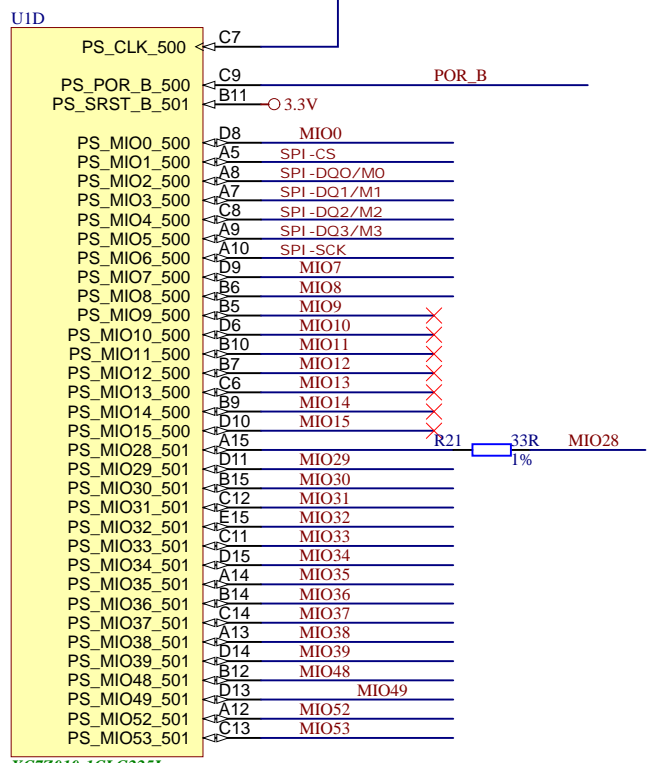
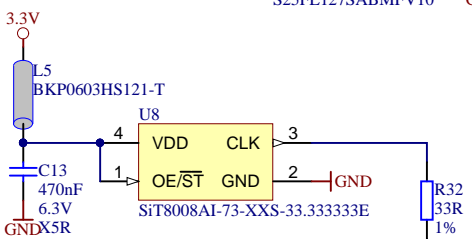
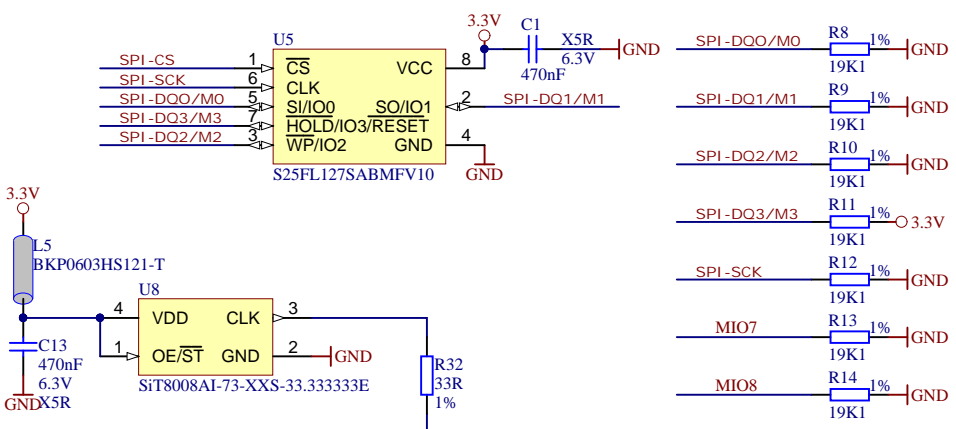
D

A

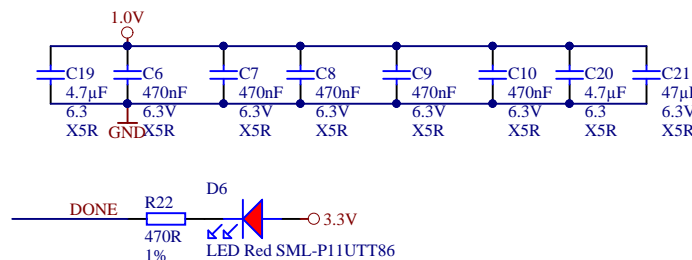
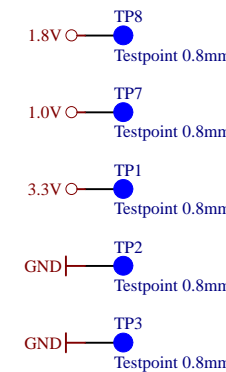
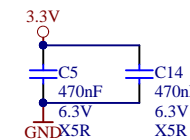
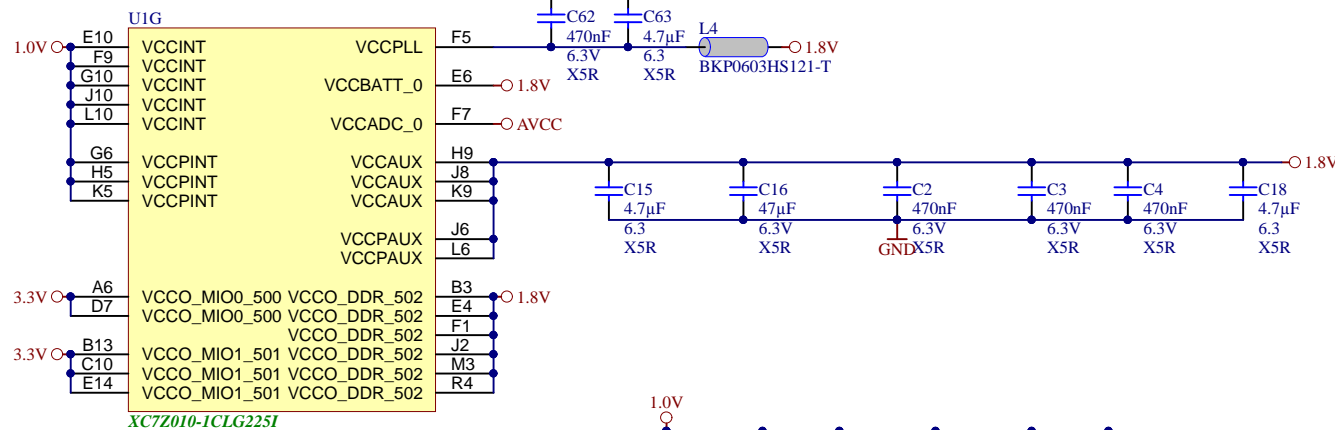
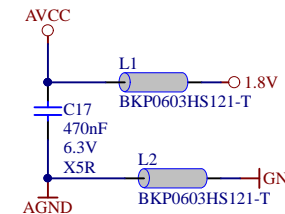
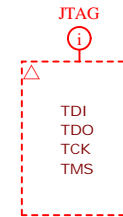
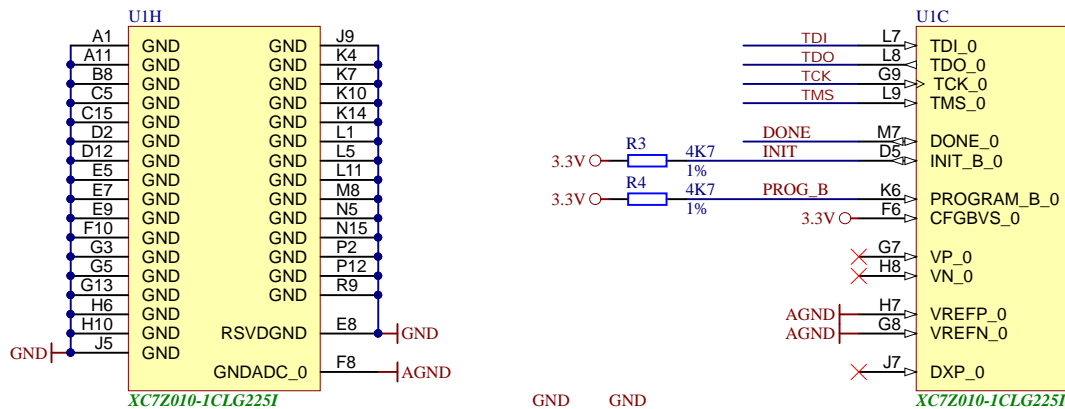
B

C

D



	Title: TE0722 - FPGA MIO		
	A4	Number: TE0722 TE0722-02I	Rev. 02
	Date: 2015-10-23	Copyright: Trenz Electronic GmbH	Page5 of 7
	Filename: FPGA_MIO.SchDoc		



		Title: TE0722 - FPGA PWR	
		A4	Number: TE0722 TE0722-02I
Date: 2015-10-23		Copyright: Trenz Electronic GmbH	
Filename: FPGA_PWR.SchDoc		Page 6 of 7	

1

2

3

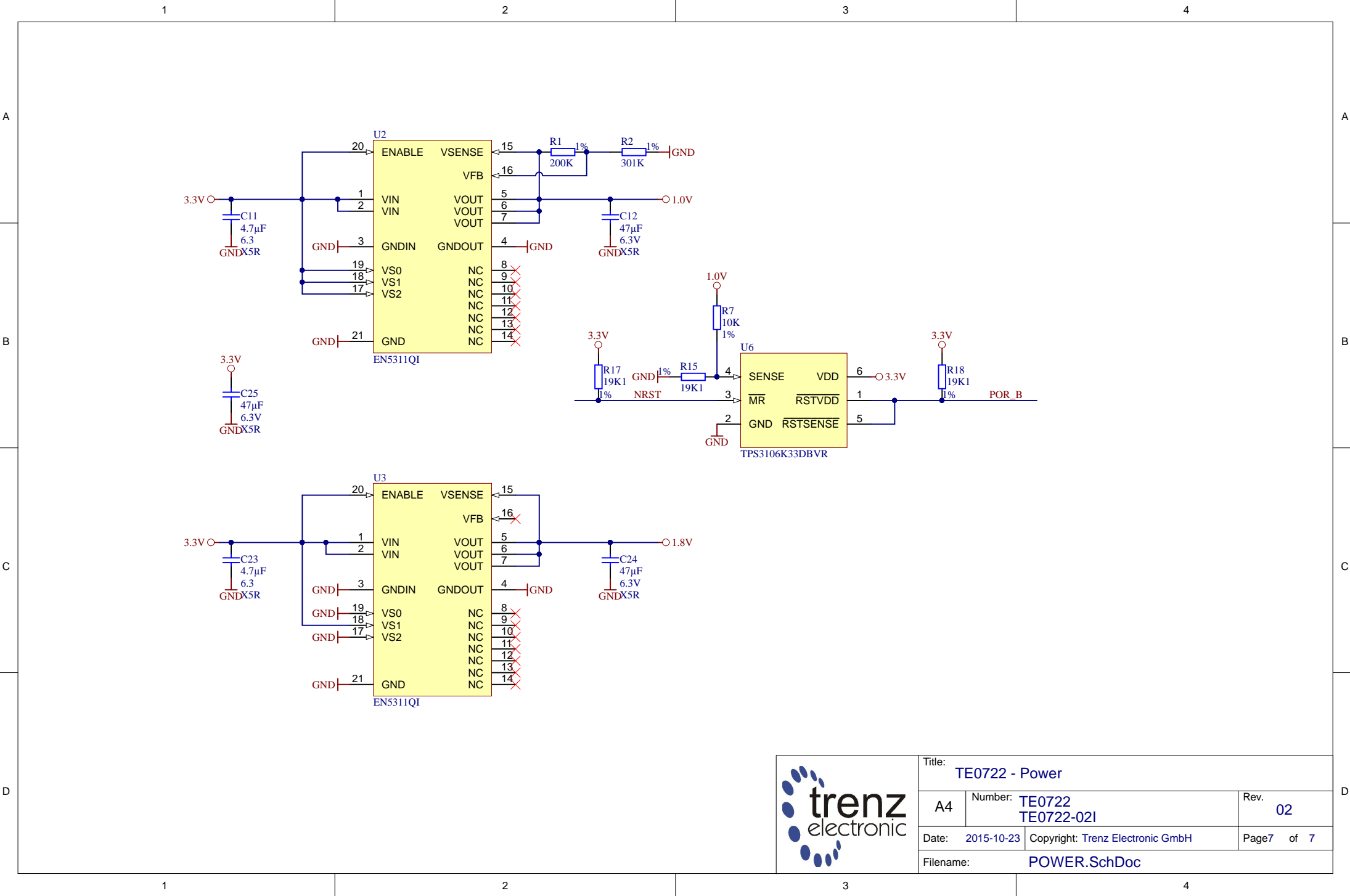
4

1

2

3

4



Title: TE0722 - Power		
A4	Number: TE0722 TE0722-02I	Rev. 02
Date: 2015-10-23	Copyright: Trenz Electronic GmbH	Page 7 of 7
Filename: POWER.SchDoc		