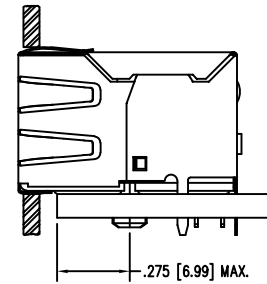
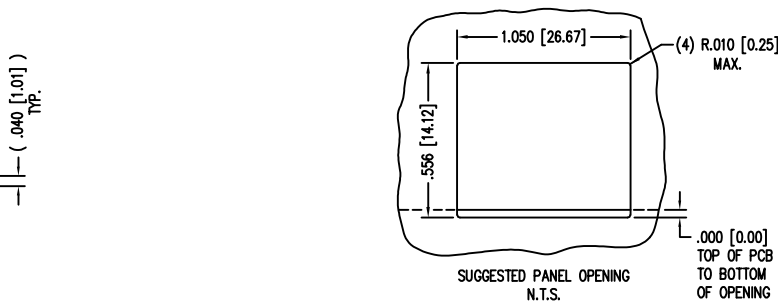
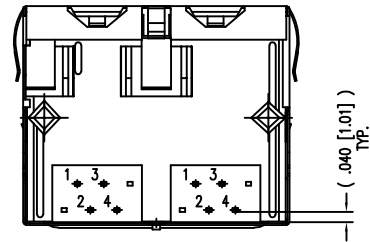
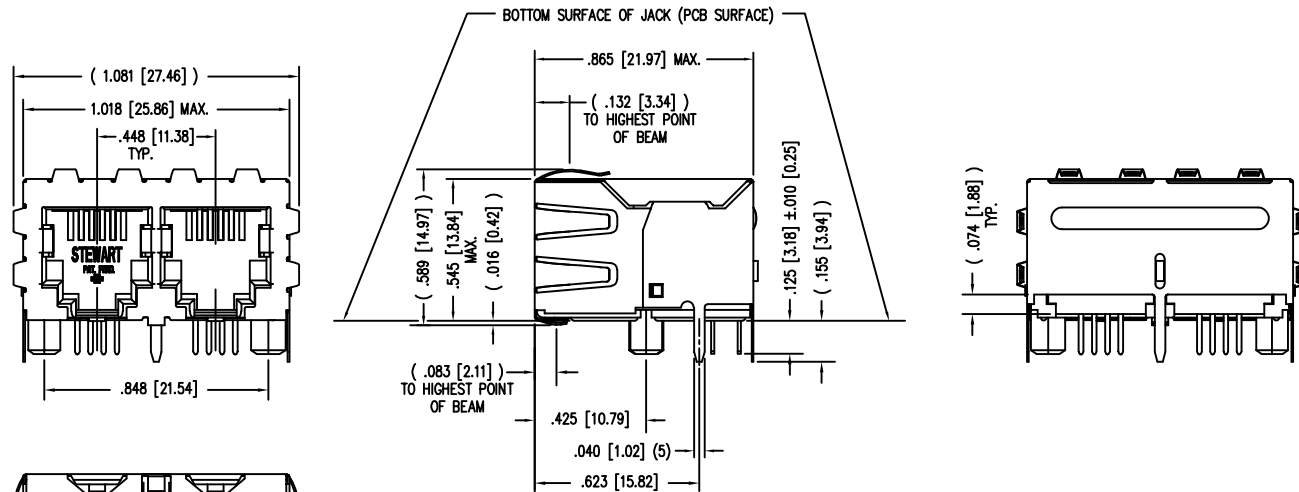
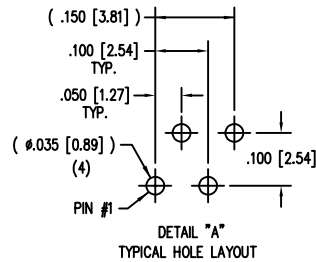
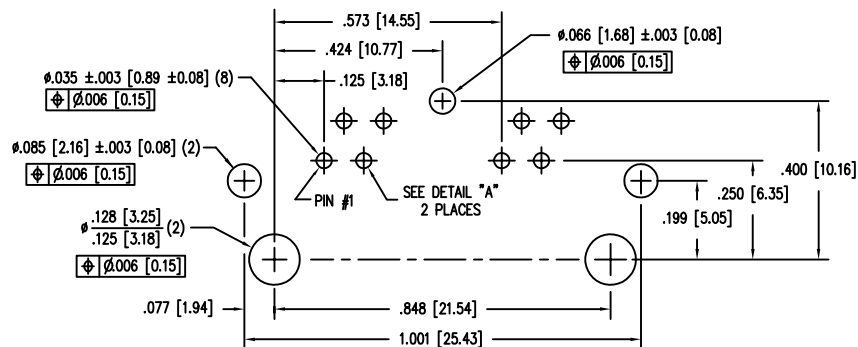


| DATE     | REV | ECN   | APP'D. BY |
|----------|-----|-------|-----------|
| 8-5-16   | A9  | 10734 | TRM       |
| 10-26-16 | A10 | 10802 | TRM       |
| 03-02-17 | A11 | 10912 | TRM       |
| 10-01-19 | A12 | 11451 | BTS       |



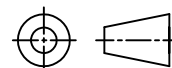
NOTES:

- CONNECTOR MATERIALS:  
HOUSING: THERMOPLASTIC UL94 V-0  
CONTACTS/SHIELD: COPPER ALLOY  
SHIELD PLATING: NICKEL  
CONTACT PLATING: SELECTIVE GOLD IN CONTACT AREA  
SEE CHART FOR PART NUMBER
- FOR PRODUCT SPECIFICATIONS SEE PRO22-01.
- DIMENSIONS AND TOLERANCES COMPLY WITH TIA-1096 STANDARD.
- THE SUGGESTED PANEL OPENING IS INTENDED TO GIVE USER THE ABILITY TO HAVE REASONABLE JACK/PANEL CLEARANCES, YET MAINTAIN GROUNDING CAPABILITY. THESE VARIABLES CAN BE ADJUSTED IN EITHER DIRECTION BUT MAY CARRY SOME CONSEQUENCES IN THE FORM OF LOWER MATING FORCES OR TIGHTER ASSEMBLY TOLERANCES.



|                                |                        |
|--------------------------------|------------------------|
| 50 MICRO-INCHES [1.27um]       | SS-664602S-A-PG4-AC-50 |
| CONTACT PLATING IN MATING AREA | PART NUMBER            |

THIRD ANGLE PROJECTION



11118 Susquehanna Trail South  
Glen Rock, PA 17327-9199  
(717) 235-7512  
<http://www.stewartconnector.com>

|  |  |
|--|--|
| DO NOT SCALE DRAWING   | TITLE:   |
| DRAWING IS SUBJECT TO CHANGE WITHOUT NOTICE                            | 2 PORT SHIELDED RJ11 HARMONICA JACK  |
| DIMENSIONS: INCHES [METRIC]  | THIS DRAWING AND THE SUBJECT MATTER SHOWN THEREON ARE CONFIDENTIAL AND THE PROPRIETARY PROPERTY OF STEWART CONNECTOR AND SHALL NOT BE REPRODUCED, COPIED, OR USED IN ANY MANNER WITHOUT PRIOR WRITTEN CONSENT OF STEWART CONNECTOR. ONE OR MORE U.S. PATENTS MAY APPLY TO THIS PRODUCT. FOR DETAILS, PLEASE VISIT: <a href="http://BELFUSE.COM/STEWART/STEWART_PATENTS/">HTTP://BELFUSE.COM/STEWART/STEWART_PATENTS/</a> |
| UNLESS OTHERWISE SPECIFIED TOLERANCES ARE ±.005 [0.13] ANGLES ARE ± 1° | DRN BY: JAF DATE: 2-2-06   |
| SHEET NO. 1 OF 1   | APP'D BY: JRC DATE: 2-2-06   |
|  | DWG NO. CT660203 REV. A12  |

