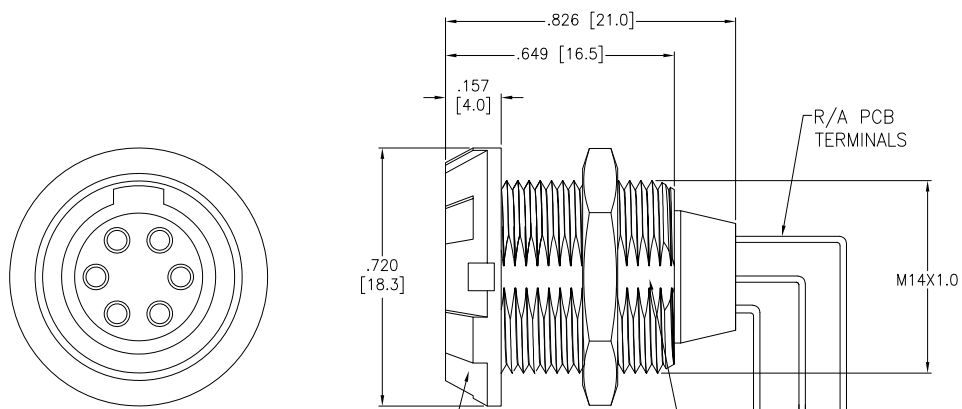


APPROVED: \_\_\_\_\_  
 DATE: \_\_\_\_\_ TITLE: \_\_\_\_\_

Rev	AWO #	Description	Date	Appr
-		RELEASED	8/16/21	



MMI-P1SRXXXPRXX

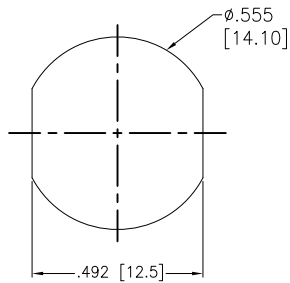
SIZE  
1

ALIGNMENT KEY	
G	= 0°
A	= 40°
B	= 60°
C	= 80°

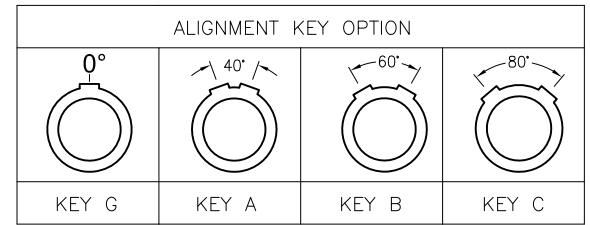
BODY COLOR	
B	= BLACK
G	= GRAY

FRONT NUT COLOR	
B	= BLACK
G	= GRAY
GR	= GREEN
Y	= YELLOW
R	= RED

# OF POSITIONS



RECOMMENDED  
 PANEL CUT-OUT  
 (Rear Panel mounting)



Configuration	Size 1									
	2 Pin	3 Pin	4 Pin	5 Pin	6 Pin	7 Pin	8 Pin	9 Pin	10 Pin	14 Pin
Diameter of Pin	1.3	1.3	0.9	0.9	0.7	0.7	0.7	0.5	0.5	0.5
Testing Voltage	1200V	1200V	1200V	1200V	1000V	1000V	1000V	800V	800V	800V
Working Voltage	300V	300V	250V	250V	200V	200V	200V	200V	200V	200V
Rated Current / Pin	20A	12A	10A	9A	8A	7A	6A	4A	4A	4A

SPECIFICATIONS:

Material:  
 Housing PC  
 Insulator: PPS  
 Terminal: Brass, Gold Plated  
 Electrical:  
 Voltage Rating: See chart  
 Current Rating: See chart  
 Dielectric withstanding voltage: See chart  
 Electrical Life: 1,000 Cycles min.  
 Temperature Rating:  
 Operating temperature: -55°C to +118°C  
 Environmental:  
 IP50 Protection (Mated Condition)  
 Lead free, RoHS compliant



SEE SHT 2 OF 2 FOR RECOMMENDED  
 PCB LAYOUT

UNLESS OTHERWISE SPECIFIED  
 ALL DIMENSIONS ARE INCHES [MM]  
 TOLERANCES: EXCEPT AS NOTED  
 INCHES HOLES

.X	± .10	Ø.X	± .10
.XX	± .020	Ø.XX	± .015
.XXX	± .015	Ø.XXX	± .010

APPROVALS		DATE
DRAWN	SS	8/16/21
CHECKED	SS	8/16/21
APPROVED		



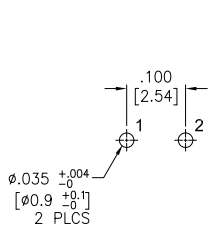
909 Rahway Avenue,  
 Union, NJ 07083  
 Phone: 908-687-5000  
 Fax: 908-687-5710

TITLE  
 PUSH-PULL SOCKET, VERTICAL, SIZE 1, PLASTIC  
 BODY, REAR PANEL MOUNT, R/A PCB THROUGH HOLE

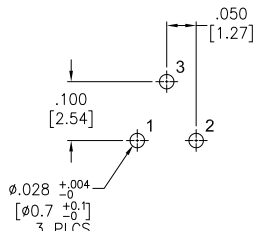
SIZE X	PART NO. MMI-P1SRXXXPRXX	REV. -
REF: SXXXXXX	SCALE: NTS	SHEET 1 OF 2

APPROVED: \_\_\_\_\_  
 DATE: \_\_\_\_\_ TITLE: \_\_\_\_\_

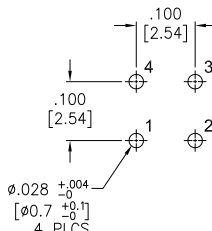
Rev	AWO #	Description	Date	Appr
-		RELEASED	8/16/21	



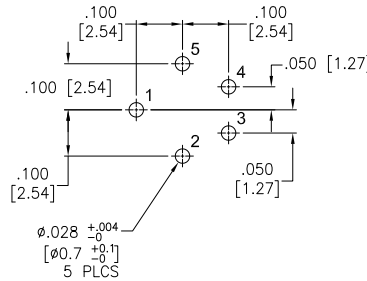
2 PIN



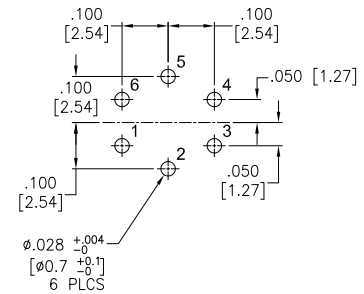
3 PIN



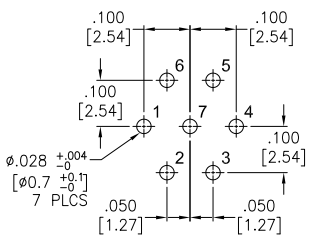
4 PIN



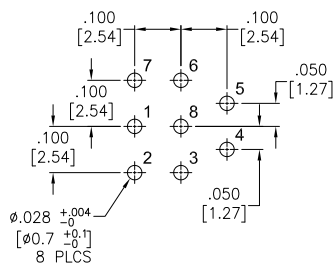
5 PIN



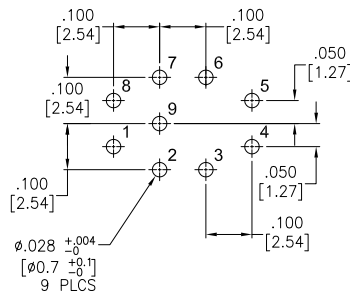
6 PIN



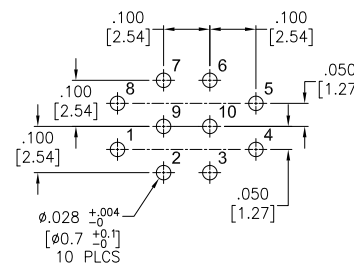
7 PIN



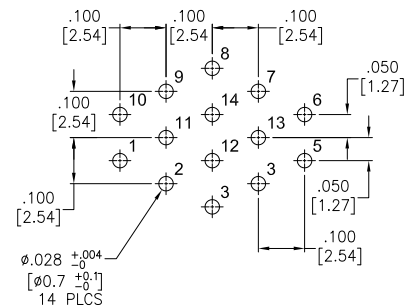
8 PIN



9 PIN



10 PIN



14 PIN

UNLESS OTHERWISE SPECIFIED  
 ALL DIMENSIONS ARE INCHES [MM]  
 TOLERANCES: EXCEPT AS NOTED  
 INCHES HOLES

.X	± .10	Ø.X	± .10
.XX	± .020	Ø.XX	± .015
.XXX	± .015	Ø.XXX	± .010

APPROVALS		DATE
DRAWN	SS	8/16/21
CHECKED	SS	8/16/21
APPROVED		

**ADAM TECH** 909 Rahway Avenue,  
 Union, NJ 07083  
 Phone: 908-687-5000  
 Fax: 908-687-5710

TITLE: PUSH-PULL SOCKET, VERTICAL, SIZE 1, PLASTIC BODY, REAR PANEL MOUNT, R/A PCB THROUGH HOLE

SIZE X	PART NO. MMI-P1SRXXXPRXX	REV. -
REF: SXXXXX	SCALE: NTS	SHEET 2 OF 2