



# Customer Information Note

May 5, 2021

**Customer Information Note #: 2021048C**

**Subject: Lumileds informs changes of laser marking and labelling for CoB Products**

## Overview

Lumileds is notifying customers of a minor modification to our (product, procedure, documentation, way of working). At this time, Lumileds is ready to implement this modification. The details of the change and supporting documentation are attached below.

<b>Description of Change(s):</b>	New marking on product and box labeling
<b>Customer Impact and Recommended Actions:</b>	No action required
<b>Products affected:</b>	LUXEON CoB
<b>Reference Documents/Attachments:</b>	Attachment A: Affected Products Attachment B: Change Overview including timeline
<b>Reason for change(s):</b>	Lumileds will be updating product laser marking and labeling as part of the initiatives to support Ecodesign directive
<b>Anticipated (positive and negative) impact on form, fit, function or reliability:</b>	No impact
<b>Customer part number(s), if applicable:</b>	See Attachment A for affected Lumileds part numbers
<b>Last Date, if applicable, of manufacture of the unchanged product, if applicable:</b>	31 August 2021
<b>Anticipated date when shipments of the changed product can commence:</b>	1 July 2021

## Next Steps

No action required. These minor modifications will begin on or after the date listed in the table above.

## Contact:

If you have any questions, or need any further assistance, please contact your Lumileds sales representative.

**CONFIDENTIAL**

Document No. 30573944

Rev. AA



# Attachments

## Attachment A: Affected Products

Product Family	Datasheet Number
LUXEON CoB Core Range	DS162
LUXEON CoB with CrispColor Technology	DS165
LUXEON CoB with CrispWhite Technology	DS168
LUXEON CoB with FreshFocus Technology	DS170
LUXEON CoB Core Range High Density	DS189
LUXEON SunPlus CoB Line	DS195
LUXEON CX Plus CoB Gen 2	DS245
LUXEON CoB Dim to Warm	DS247
LUXEON CX Plus CoB High Density	DS256
LUXEON CoB Core Range PW	DS266
LUXEON CX Plus CoB High Density Below BBL	DS270

Notes: Affected products include custom parts derived from the product families

# Attachment B : Change Overview

## 1) Product laser marking

**Current:** XXXXXXXXX

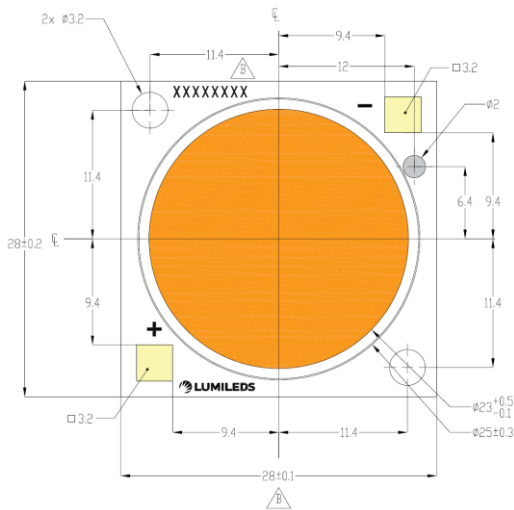
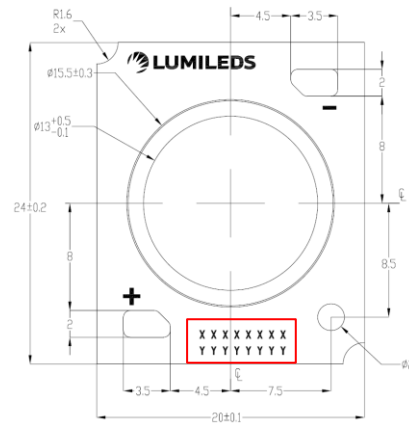
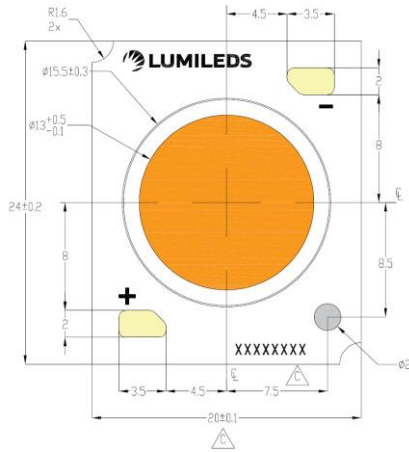
**New:** XXXXXXXX YYYYYYYY

Where

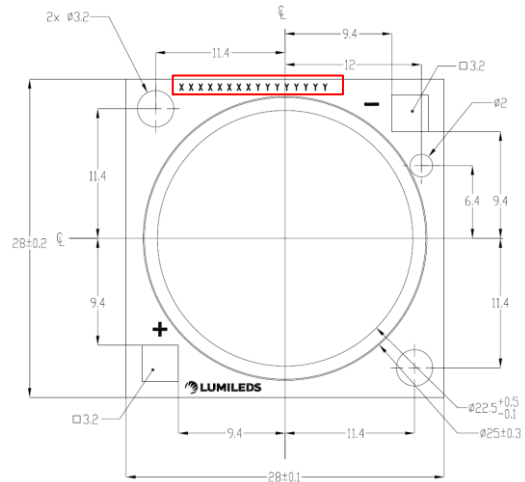
XXXXXXXXX – part identification

YYYYYYYYY – flux and CCT (where applicable)

## Examples



**Current**



**New**

## 2) Package labeling contents

### Additional information to the labels (where applicable)

- a) "CE" mark
- b) "UKCA" mark
- c) Lumileds address "NL-5652 AB 42"



Current



New