

Customer Information Sheet

DRAWING No.: G125-MHXXX05L7P

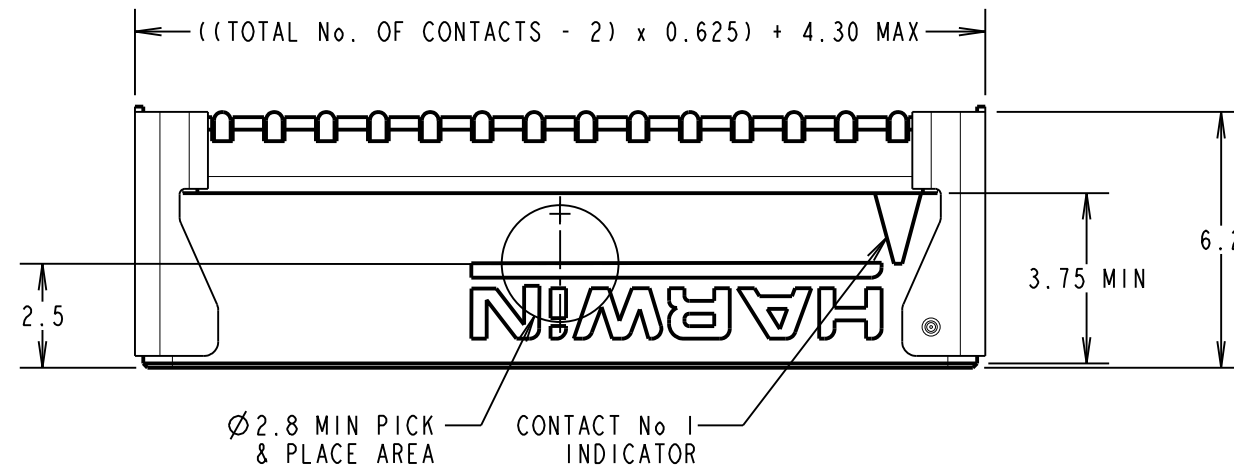
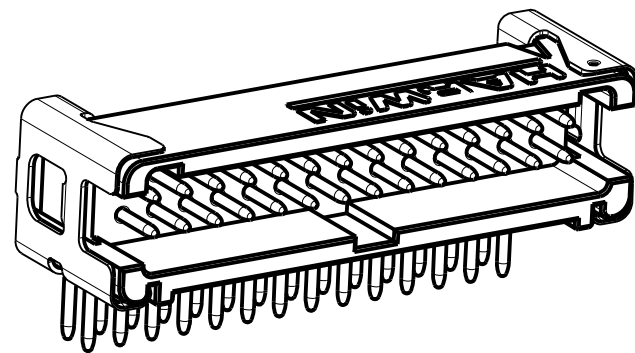
IF IN DOUBT - ASK

©

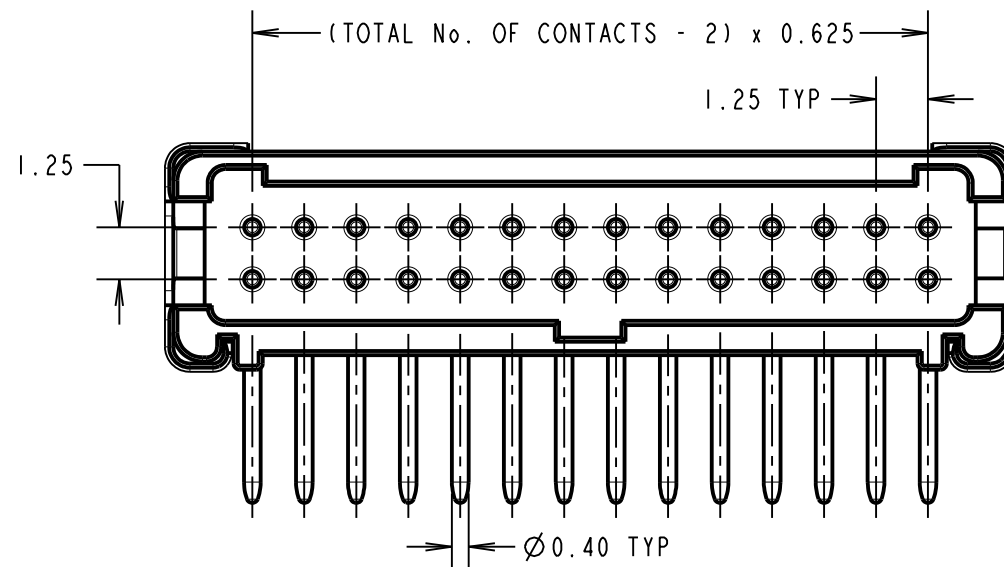
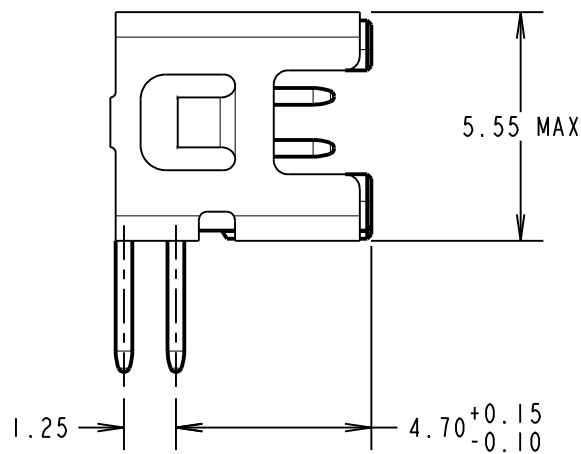
NOT TO SCALE

THIRD ANGLE PROJECTION

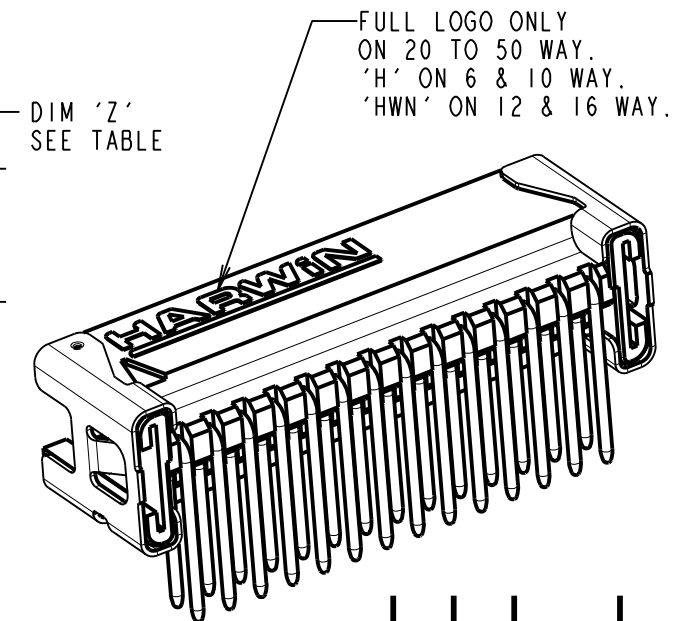
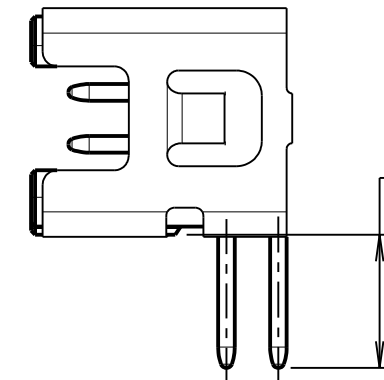
ALL DIMENSIONS IN mm



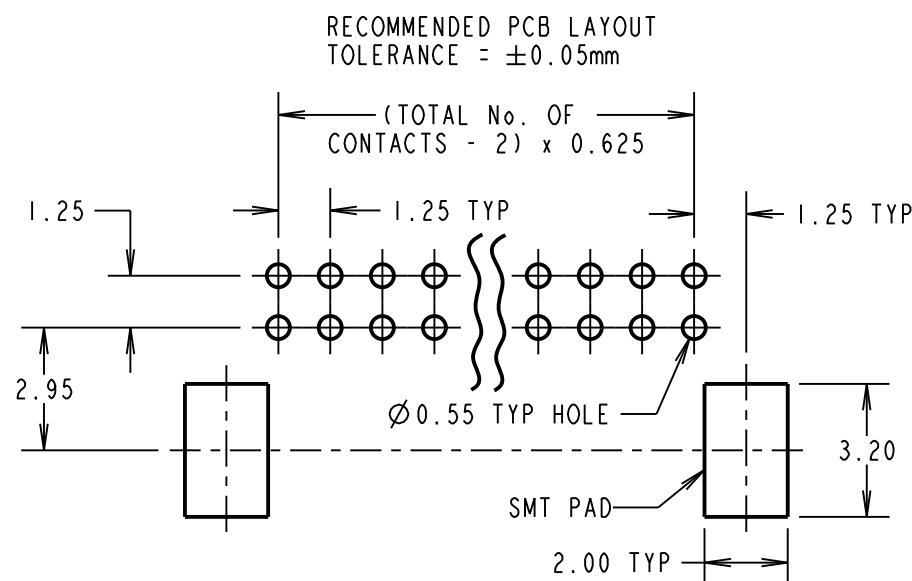
ORDER CODE:
G125-MHXXX05L7P
 3.2mm PC-TAILS = H1
 4.7mm PC-TAILS = H2
 TOTAL No. OF CONTACTS
 06, 10, 12, 16, 20,
 26, 34, 50.



CONTACT STYLE	DIM 'Z'
H1	3.2±0.15
H2	4.7±0.15



CONNECTOR DETAILS AND PCB LAYOUT ONLY.
 SEE SHEET 6 FOR TAPE STRIP DETAILS.



NOTES:
 1. FOR COMPLETE SPECIFICATION, SEE COMPONENT SPECIFICATION C125XX (LATEST ISSUE).
 SEE G125-SERIES CONNECTORS' SPECIFICATION SHEET FOR MATERIALS, FINISH AND SPECIFICATION SUMMARY.

RTP	5	07.09.21	30825
NAME	ISS.	DATE	CN/CO
APPROVED:		R.PORTLOCK	
CHECKED:		R.ALEXANDER	
DRAWN:		MARK G PLESTED	
CUSTOMER REF.:			
ASSEMBLY DRG:			

HARWIN
 www.harwin.com
 technical@harwin.com

THIS DRAWING AND ANY INFORMATION OR DESCRIPTIVE MATTER SET OUT HEREON ARE CONFIDENTIAL AND COPYRIGHT PROPERTY OF THE HARWIN GROUP AND MUST NOT BE DISCLOSED, LOANED, COPIED OR USED FOR MANUFACTURING, TENDERING OR FOR ANY OTHER PURPOSE WITHOUT THEIR WRITTEN PERMISSION.

TOLERANCES
 X. = ±1mm
 X.X = ±0.50mm
 X.XX = ±0.20mm
 X.XXX = ±0.01mm
 ANGLES = ±5°
 UNLESS STATED

MATERIAL: SEE NOTE 1
 FINISH: SEE NOTE 1
 S/AREA: mm²

TITLE:
 G125 MALE HORIZONTAL PC TAIL
 SERIES IN TAPE
 DRAWING NUMBER:
G125-MHXXX05L7P
 SHT 5 OF 6

Customer Information Sheet

DRAWING No.: G125-MHXXX05L7P

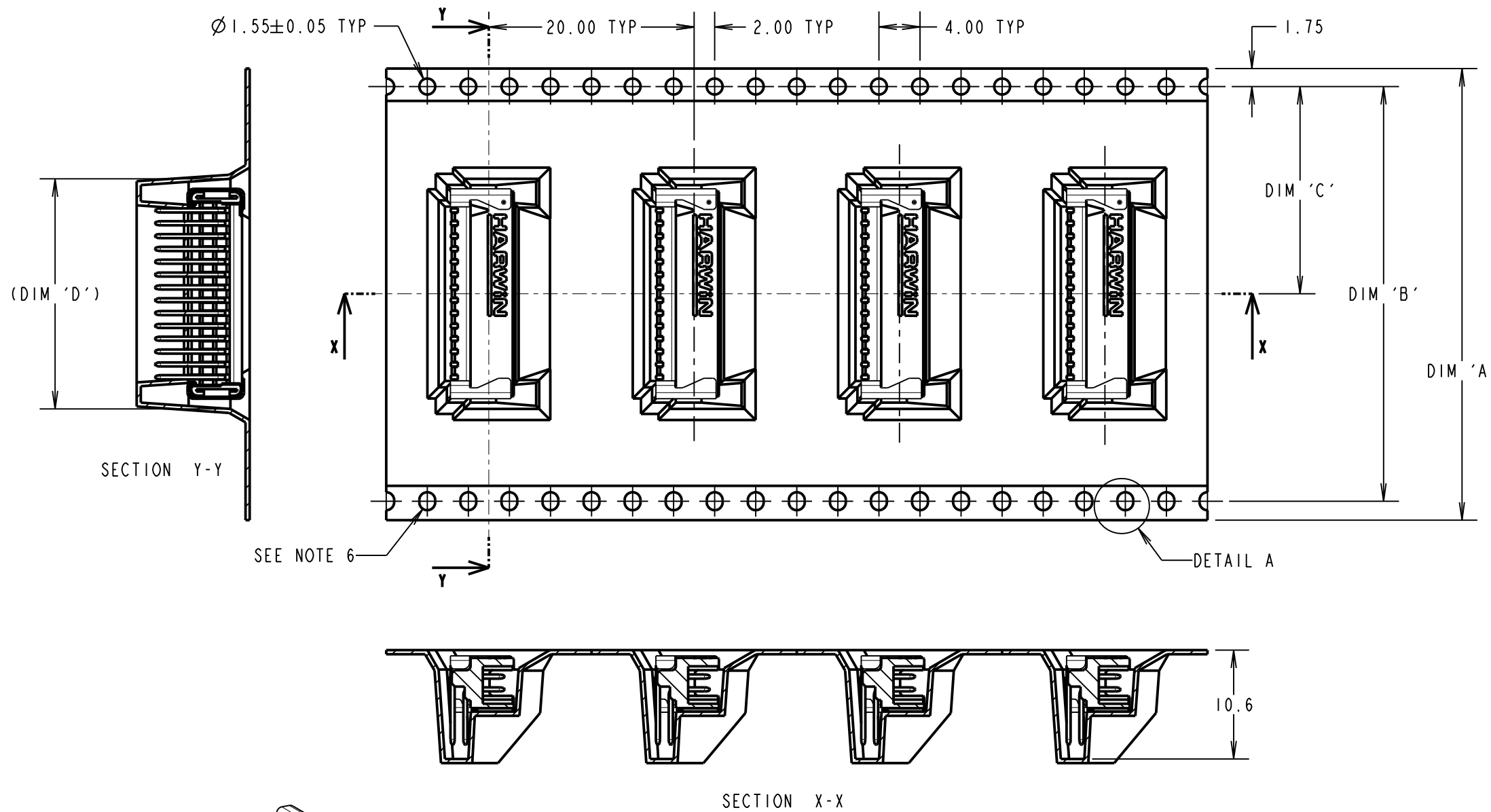
IF IN DOUBT - ASK

©

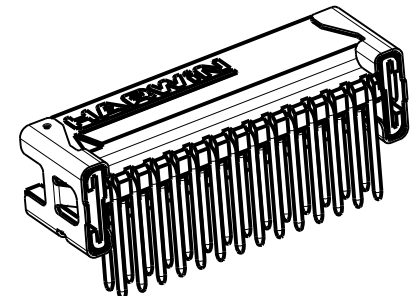
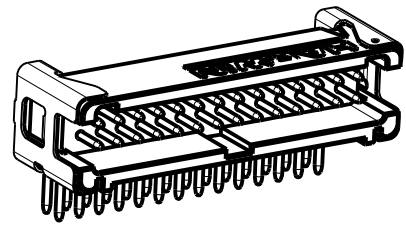
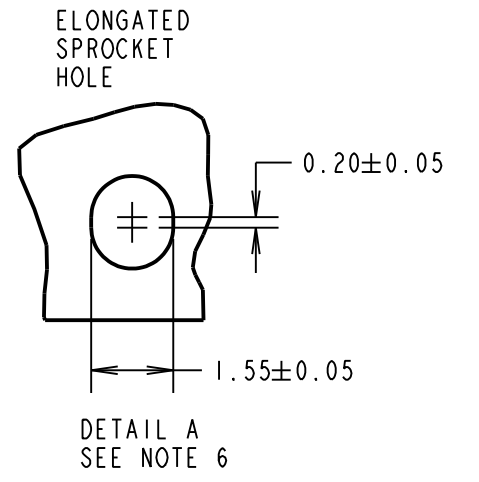
NOT TO SCALE

THIRD ANGLE PROJECTION

ALL DIMENSIONS IN mm



ORDER CODE:
G125-MHXXX05L7P
 3.2mm PC-TAILS = H1
 4.7mm PC-TAILS = H2
 TOTAL No. OF CONTACTS
 06, 10, 12, 16, 20,
 26, 34, 50.



PART No.	DIM 'A'	DIM 'B'	DIM 'C'	DIM 'D'
G125-MHX0605L7P	24.0	NO ELONGATED HOLE	11.50	8.5
G125-MHX1005L7P	+0.3/-0.1			11.0
G125-MHX1205L7P	32.0±0.3	28.40	14.20	12.2
G125-MHX1605L7P				14.7
G125-MHX2005L7P				17.2
G125-MHX2605L7P	44.0±0.3	40.40	20.2±0.15	21.0
G125-MHX3405L7P				26.0
G125-MHX5005L7P	56.0±0.3	52.40	26.2±0.15	36.0

RTP	5	07.09.21	30825
NAME	ISS.	DATE	CN/CO
APPROVED: R. PORTLOCK			
CHECKED: R. ALEXANDER			
DRAWN: MARK G PLESTED			
CUSTOMER REF.:			
ASSEMBLY DRG:			

- NOTES:
- COMPONENTS ARE ORIENTED IN TAPE POCKETS AS SHOWN.
 - COMPONENTS ARE SUPPLIED IN STRIPS OF 10 UNLESS OTHERWISE SPECIFIED.
 - LARGE QTY'S MAY BE SHIPPED ON A REEL AND MAY NOT HAVE A LEADER.
 - FOR PARTS ON REEL SUITABLE FOR AUTOMATIC MACHINE PLACEMENT PLEASE ORDER: G125-MXXX05L7R.
 - FOR COMPLETE SPECIFICATION, SEE COMPONENT SPECIFICATION C125XX (LATEST ISSUE).
 - ELONGATED SPROCKET HOLE NOT PRESENT ON 06 & 10 POSITIONS.
 - SEE SHEET 5 FOR CONNECTOR DETAILS.

HARWIN
 www.harwin.com
 technical@harwin.com

THIS DRAWING AND ANY INFORMATION OR DESCRIPTIVE MATTER SET OUT HEREON ARE CONFIDENTIAL AND COPYRIGHT PROPERTY OF THE HARWIN GROUP AND MUST NOT BE DISCLOSED, LOANED, COPIED OR USED FOR MANUFACTURING, TENDERING OR FOR ANY OTHER PURPOSE WITHOUT THEIR WRITTEN PERMISSION.

TOLERANCES
 X. = ±1mm
 X.X = ±0.50mm
 X.XX = ±0.20mm
 X.XXX = ±0.01mm
 ANGLES = ±5°
 UNLESS STATED

MATERIAL:
 SEE SHEET 5
 FINISH: SEE SHEET 5
 S/AREA: mm²

TITLE:
 G125 MALE HORIZONTAL PC TAIL SERIES IN TAPE
 DRAWING NUMBER:
G125-MHXXX05L7P
 SHT 6 OF 6