

## SUMMARY

### # Wires

Fiber optic 2



Image is for illustrative purpose only

Series 3W  
Termination type Hybrid contacts  
IP rating 68  
AWG wire size 0.00 - 0.00  
Cable Ø 0.00 - 0.00 mm  
Status active  
Matching parts [EVG.3W.93B.CLL](#)

### Download

[Request a quote](#)

[Catalog](#)

## TECHNICAL DETAILS

### Mechanics

Shell Style/Model FV\_/Z\*: Straight plug, cable collet and nut for fitting a bend relief  
Keying 1 key (alpha=0; Plug: male contacts; Receptacle: female contacts)  
Housing Material Brass (chrome plated [SAE AMS 2460]) shell and collet nut, nickel plated [SAE AMS QQ N 290] brass latch sleeve and mid pieces  
Variant Z : Nut for fitting a bend relief  
Weight 96.20 g

### Performance

Configuration  
Insulator  
Rated Current

### Specifications

Contact Type: Solder

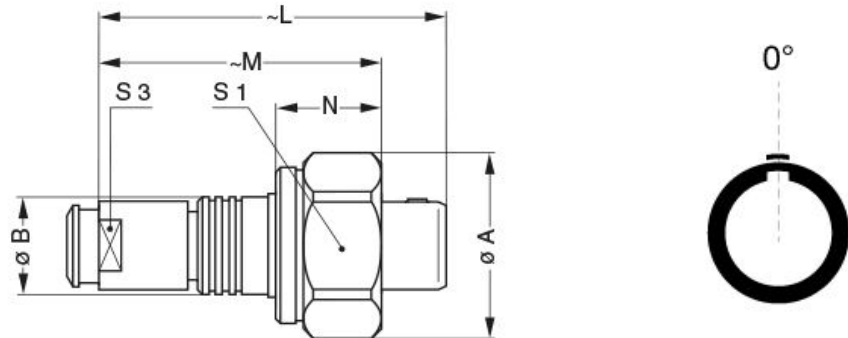
### Others

Endurance (Shell): 1000 mating cycles  
Temp (min / max): -20°C / +200°C  
Humidity (max): <=95% [at 60 deg C / 140 F]

LEMO products and services are provided "as is". LEMO makes no warranties or representations with regard to LEMO product & services or use of them, express, implied or statutory, including for accuracy, completeness, or security. The user is fully responsible for his products and applications using LEMO components.

Climatical Category: 20/200/21  
 Shielding (min): 95 dB (10 MHz)  
 Shielding (min): 80 dB (1 GHz)  
 Salt Spray Corrosion: >1000 hr  
 Pressure: 30 bars

## DRAWINGS



### Dimensions

	A	B	L	M	N	S1	S3
mm.	27.8	17	60.5	46.9	16.5	26	15
in.	1,09	0,67	2,38	1,85	0,65	1,02	0,59

## RECOMMENDED BY LEMO

### Tools

### Cables

*LEMO products and services are provided "as is". LEMO makes no warranties or representations with regard to LEMO product & services or use of them, express, implied or statutory, including for accuracy, completeness, or security. The user is fully responsible for his products and applications using LEMO components.*