

SHT 3 SW2 << SW2
 SHT 3 TG2 << TG2
 SHT 3 BG2 << BG2
 SHT 3 SNS2+ << SNS2+

SW1 >> SW1 SHT 3
 TG1 >> TG1 SHT 3
 BG1 >> BG1 SHT 3
 SNS1+ >> SNS1+ SHT 3

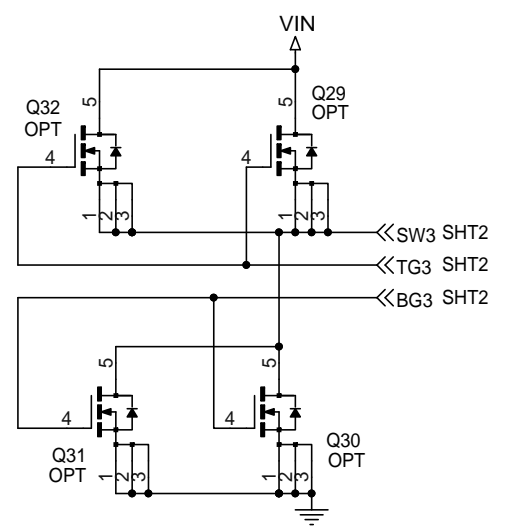
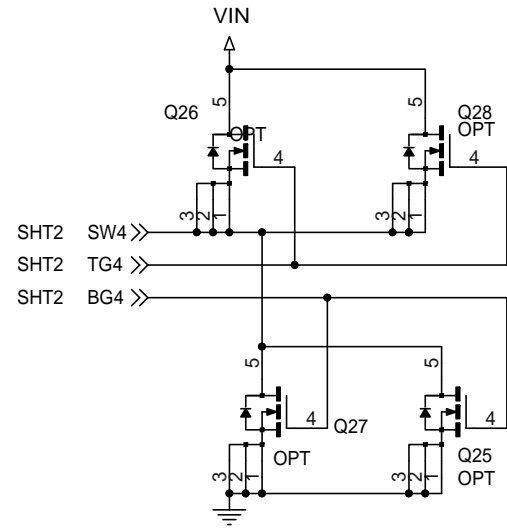
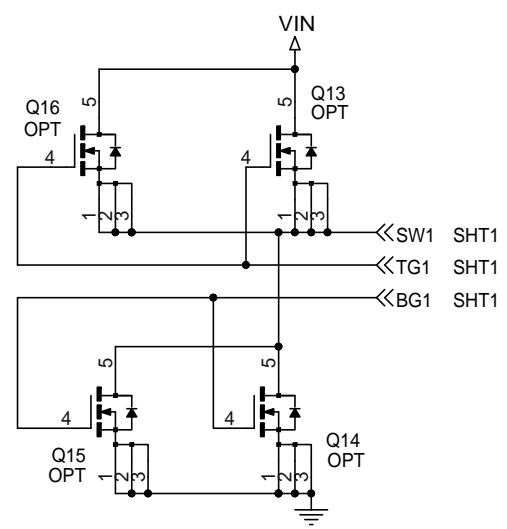
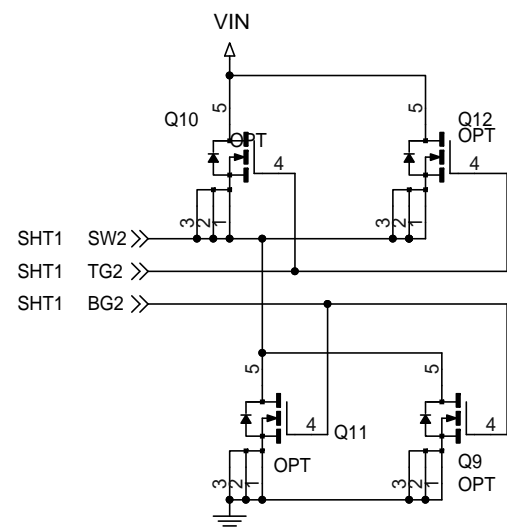
CUSTOMER NOTICE

LINEAR TECHNOLOGY HAS MADE A BEST EFFORT TO DESIGN A CIRCUIT THAT MEETS CUSTOMER-SUPPLIED SPECIFICATIONS; HOWEVER, IT REMAINS THE CUSTOMER'S RESPONSIBILITY TO VERIFY PROPER AND RELIABLE OPERATION IN THE ACTUAL APPLICATION. COMPONENT SUBSTITUTION AND PRINTED CIRCUIT BOARD LAYOUT MAY SIGNIFICANTLY AFFECT CIRCUIT PERFORMANCE OR RELIABILITY. CONTACT LINEAR TECHNOLOGY APPLICATIONS ENGINEERING FOR ASSISTANCE.

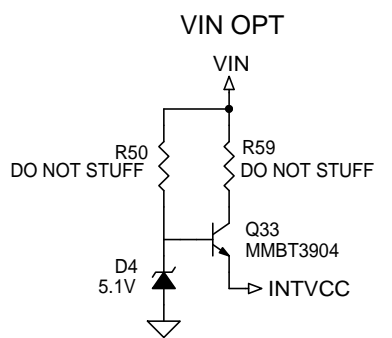
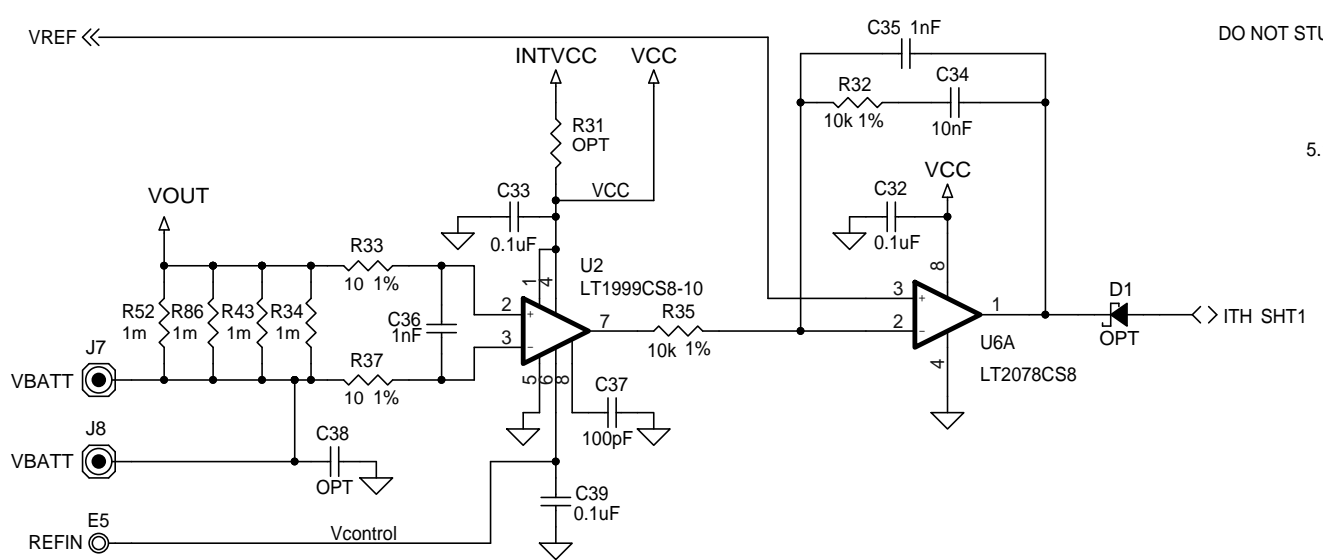
THIS CIRCUIT IS PROPRIETARY TO LINEAR TECHNOLOGY AND SUPPLIED FOR USE WITH LINEAR TECHNOLOGY PARTS.

| APPROVALS | |
|--------------|-----------|
| PCB DES. | <i>MS</i> |
| APP ENG. | DING L |
| SCALE = NONE | |

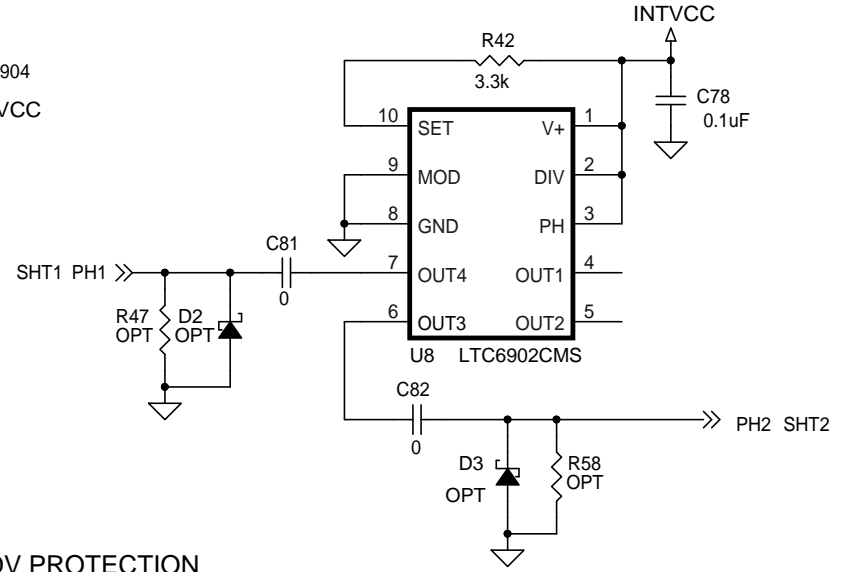
| | | | |
|-------|---------------------------|--|--------------|
| | | 1630 McCarthy Blvd. Milpitas, CA 95035 Phone: (408)432-1900 www.linear.com Fax: (408)434-0507 LTC Confidential-For Customer Use Only | |
| | | TITLE: SCHEMATIC HIGH POWER 60V, 4-PHASE SYNCHRONOUS STEP-DOWN SUPPLY | |
| SIZE | IC NO. | LTC3892EFE-1 | REV. |
| N/A | PCB NO. | DEMO CIRCUIT 2190A-B | 2 |
| DATE: | Friday, February 13, 2015 | | SHEET 1 OF 2 |



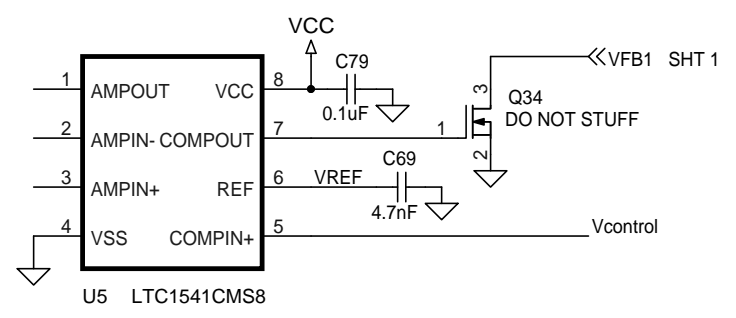
CHARGE/DISCHARGING CURRENT CONTROL (OPTIONAL)



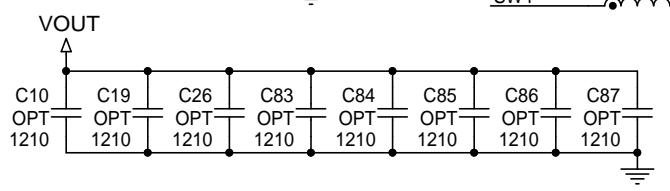
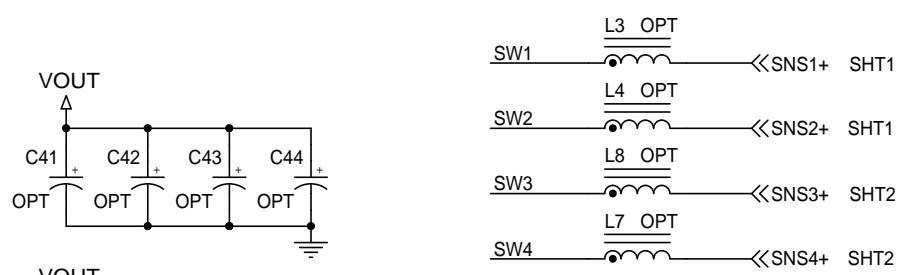
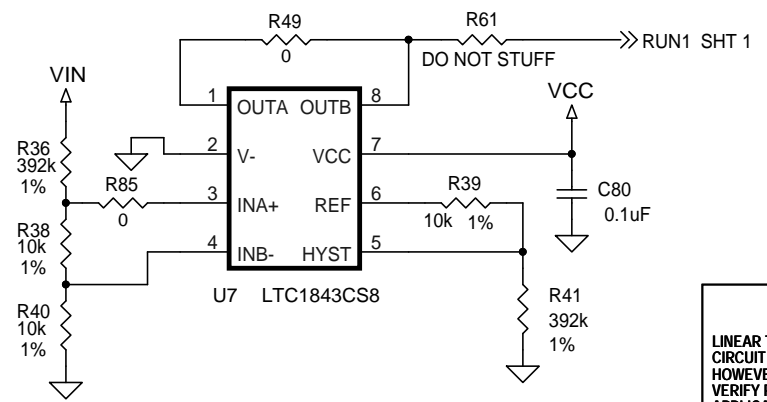
ON BOARD PWM GENERATOR



CHARGE/DISCHARGE MODE FB SWITCH OVER



INPUT UV/OV PROTECTION



THIS PAGE IS FOR BI-DIRECTIONAL CHARGER ONLY.

| | | | | | |
|---|--|---|--|---|--|
| <p>CUSTOMER NOTICE</p> <p>LINEAR TECHNOLOGY HAS MADE A BEST EFFORT TO DESIGN A CIRCUIT THAT MEETS CUSTOMER-SUPPLIED SPECIFICATIONS; HOWEVER, IT REMAINS THE CUSTOMER'S RESPONSIBILITY TO VERIFY PROPER AND RELIABLE OPERATION IN THE ACTUAL APPLICATION. COMPONENT SUBSTITUTION AND PRINTED CIRCUIT BOARD LAYOUT MAY SIGNIFICANTLY AFFECT CIRCUIT PERFORMANCE OR RELIABILITY. CONTACT LINEAR TECHNOLOGY APPLICATIONS ENGINEERING FOR ASSISTANCE.</p> | | <p>APPROVALS</p> <p>PCB DES. <i>[Signature]</i></p> <p>APP ENG. DING L.</p> | | <p>1630 McCarthy Blvd. Milpitas, CA 95035 Phone: (408)432-1900 www.linear.com Fax: (408)434-0507 LTC Confidential-For Customer Use Only</p> | |
| | | <p>TITLE: SCHEMATIC HIGH POWER 60V, 4-PHASE SYNCHRONOUS STEP-DOWN SUPPLY</p> | | <p>SIZE N/A IC NO. LTC3892EFE-1 REV. 2</p> | |
| <p>THIS CIRCUIT IS PROPRIETARY TO LINEAR TECHNOLOGY AND SUPPLIED FOR USE WITH LINEAR TECHNOLOGY PARTS.</p> | | <p>SCALE = NONE</p> | | <p>DATE: Monday, November 24, 2014 SHEET 2 OF 2</p> | |