



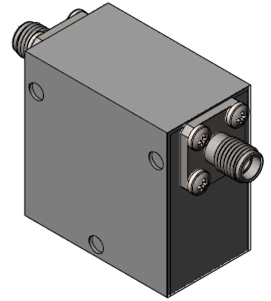
## Part Number: D3I0890

### Electrical Specifications

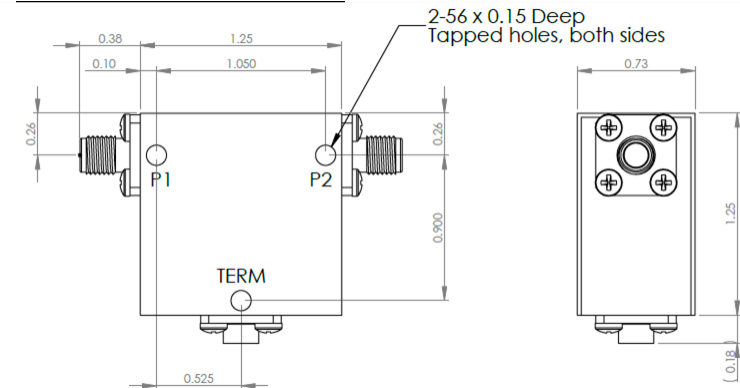
|                        |                   |
|------------------------|-------------------|
| Frequency Range (GHz): | 0.8 – 0.9         |
| Isolation (dB):        | 20 MIN            |
| Insertion Loss (dB):   | 0.4 MAX           |
| VSWR:                  | 1.25:1 MIN        |
| Forward Power (W):     | 250 AVG<br>750 PK |
| Reflective Power (W):  | 2 AVG             |

### Mechanical/Environmental Specifications

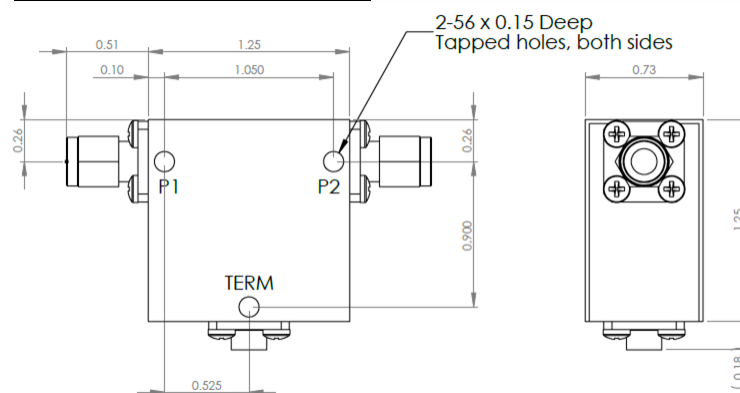
|                   |                            |
|-------------------|----------------------------|
| Connector Type:   | SMA                        |
| Connector Body:   | Passivated stainless steel |
| Connector Pin:    | Gold plated copper         |
| Load Body:        | Brass                      |
| Magnetic Shunt:   | Nickel plated CRS          |
| Operational Temp: | -20°C to +65°C             |
| Weight (oz)       | 2.8 MAX                    |



### D3I0890 Dimensions



### D3I0890-3 Dimensions



Dimensions are in inches  
Tolerance

XX ±0.03  
XXX ±0.010

| Type of Device                                      | PN Suffix | Connector Configuration<br>Input / Output | PN Example |
|---|-----------|---|------------|
| Single and Dual Junction<br>Isolator, 2-Port Device | N/A       | Female / Female                           | D3I0890    |
|   | -1        | Male / Female                             | D3I0890-1  |
|   | -2        | Female / Male                             | D3I0890-2  |
|   | -3        | Male / Male                               | D3I0890-3  |



# MEASURED DATA

Part Number: D3I0890, +25°C

