

CGA7K1X7R3D102K130KA

TDK Item Description : CGA7K1X7R3D102KT****



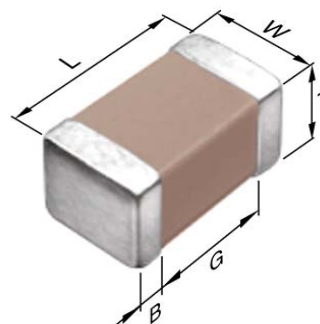
Equivalent C4520X7R3D102K for Automotive

Application & Main Feature

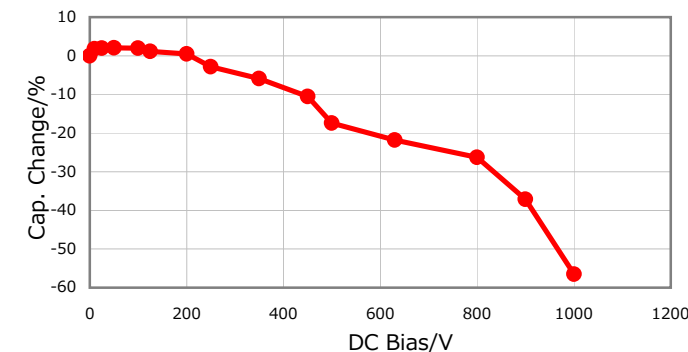
Automotive Grade (High Voltage (1000V and over))

Series

CGA7(4520) [EIA CC1808]



DC Bias Characteristic



Dimensions

L 4.50mm +/-0.4mm
W 2.00mm +/-0.2mm
T 1.30mm +/-0.2mm
B 0.20mm Min.
G

Temperature Characteristic

X7R (-55 to 125 degC +/-15%)

Rated Voltage

3D (2000Vdc)

Capacitance

1nF

Capacitance Tolerance

K (+/-10%)

Dissipation Factor

3% Max.

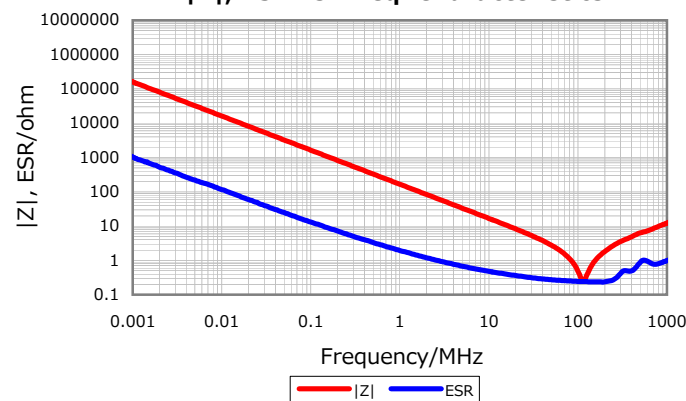
Insulation Resistance

10Gohm Min.

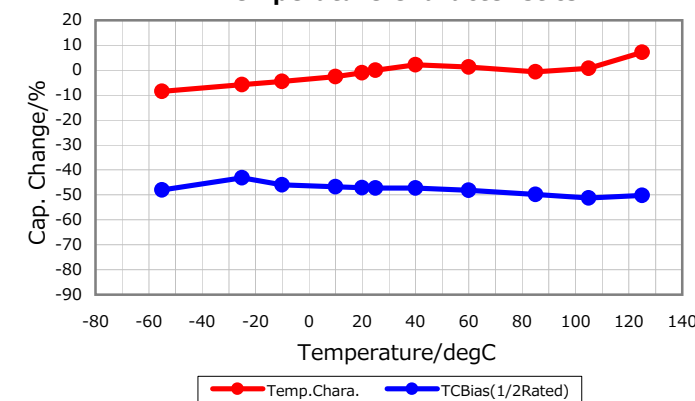
AEC-Q200

Not Applicable

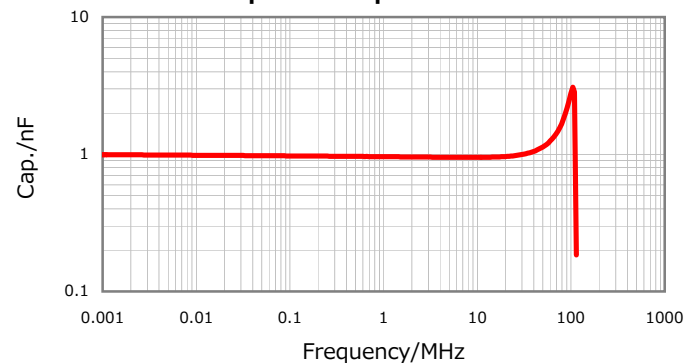
|Z|, ESR vs. Freq. Characteristics



Temperature Characteristics



Cap. vs. Freq. Characteristic



Ripple Temperature Rise Characteristics

