



Figure similar

Enclosed soft starter, Controller 3RW44346BC34, Std. duty rating 75Hp @460V, Std. duty current rating 100A, Control voltage 115 AC, Non-combination type, Enclosure NEMA type 1, Indoor general purpose use

| | |
|--|---|
| product brand name | Class 73 |
| design of the product | Enclosed soft starter |
| special product feature | Control transformer, built-in overload relay and bypass contactor included. |
| General technical data | |
| weight [lb] | 87 lb |
| Height x Width x Depth [in] | 36 × 18 × 15 in |
| touch protection against electrical shock | NA for enclosed products |
| installation altitude [ft] at height above sea level maximum | 6560 ft |
| ambient temperature [°F] | |
| • during storage | -22 ... +149 °F |
| • during operation | -4 ... +104 °F |
| ambient temperature | |
| • during storage | -30 ... +65 °C |
| • during operation | -20 ... +40 °C |
| country of origin | USA |
| Power and control electronics | |
| manufacturer's article number of soft starter | 3RW44346BC34 |
| number of poles for main current circuit | 3 |
| design of power semiconductors (thyristors) for soft starter control | 3 controlled phases |
| operating range factor supply voltage rated value | 0.85 ... 1.1 |
| operating range factor of control voltage rated value | 0.85 ... 1.1 |
| operating condition for standard duty | Class 10 standard duty (350% of motor FLA for 10 seconds) |
| operating condition for severe duty | Class 20 severe duty (350% of motor FLA for 20 seconds) |
| Features and functions | |
| ramp-up (soft starting)/ramp-down (soft stop) | Yes |
| starting voltage [%] | 20 ... 100 % |
| stopping voltage [%] | 20 ... 100 % |
| voltage ramp | Yes |
| ramp-up time | 1 ... 360 s |
| ramp-down time | 1 ... 360 s |
| torque control | Yes |
| starting torque [%] | 20 ... 100 % |
| stopping torque [%] | 20 ... 100 % |
| torque limitation [%] | 20 ... 200 % |
| ramp time of torque | 1 ... 360 s |
| adjustable current limitation | Yes |
| creep speed in both directions of rotation | Yes |

| | |
|---|---|
| pump ramp down | Yes |
| integrated bypass contact system | Yes |
| external isolation contactor | No |
| intrinsic device protection | Yes |
| overload protection | Yes |
| trip class | CLASS 5 / 10 / 15 / 20 / 30 |
| reset function | Manual and automatic |
| thermistor motor protection | Yes |
| inside-delta circuit | Yes |
| breakaway pulse | Yes |
| DC braking | Yes |
| combined braking | Yes |
| motor heating | Yes |
| configuration of control input 1 | Factory set as START MOTOR |
| configuration of control input 2 | programmable |
| configuration of control input 3 | programmable |
| configuration of control input 4 | Factory set as TRIP RESET |
| configuration of relay output 1 | Factory set as ON-TIME MOTOR |
| configuration of relay output 2 | programmable |
| configuration of relay output 3 | programmable |
| configuration of relay output 4 | Factory set as GROUP ERROR |
| display version | Graphic display |
| operating measured value display | Yes |
| product extension optional human machine interface module | Yes |
| type of communication optional | With optional Profibus or Profinet |
| error logbook | Yes |
| event list | Yes |
| slave pointer function | Yes |
| trace function | Yes |
| number of parameter sets | 3 |
| engineering software (Soft Starter ES) | Yes |
| disconnecter functionality | No |
| Contactor | |
| size of contactor | NA |
| Coil | |
| type of voltage of the control supply voltage | AC |
| control supply voltage | |
| • at AC at 50 Hz rated value | 115 V |
| • at AC at 60 Hz rated value | 115 V |
| Enclosure | |
| degree of protection NEMA rating | 1 |
| degree of protection NEMA rating of the enclosure | NEMA Type 1 |
| design of the housing | indoors, usable on a general basis |
| type of cooling | None |
| Mounting/wiring | |
| mounting position | Vertical |
| fastening method | Surface mounting and installation |
| wire length between motor starter and motor maximum | 500 m |
| type of electrical connection for supply voltage line-side | Box lug |
| type of connectable conductor cross-sections at line-side at AWG cables single or multi-stranded | 300 MCM ... 6 AWG |
| temperature of the conductor for supply maximum permissible | 75 °C |
| material of the conductor for supply | CU |
| type of electrical connection for load-side outgoing feeder | Box lug |
| tightening torque [lbf-in] for load-side outgoing feeder | 90 ... 110 lbf-in |
| type of connectable conductor cross-sections at AWG cables for load-side outgoing feeder single or multi-stranded | 7 ... 2/0 AWG (front only) or 6 ... 2/0 AWG (back only) or 2x 1/0 AWG (both front & back) |
| temperature of the conductor for load-side outgoing feeder | 75 °C |

| | |
|---|----------------------|
| maximum permissible | |
| material of the conductor for load-side outgoing feeder | CU |
| type of electrical connection for auxiliary and control circuit | screw-type terminals |
| tightening torque [lbf-in] for auxiliary and control contacts with screw-type terminals | 7 ... 10 lbf-in |
| temperature of the conductor for auxiliary and control contacts maximum permissible | 75 °C |
| material of the conductor for auxiliary and control contacts | CU |

| | |
|---|---|
| Short-circuit current rating | |
| design of the fuse link for short-circuit protection of the main circuit required | 10kA@600V (Class H or K); 100kA@600V (Class R or J) |
| design of the short-circuit trip | Thermal magnetic circuit breaker |
| breaking capacity maximum short-circuit current (I _{cu}) | |
| • at 240 V | 100 kA |
| • at 480 V | 100 kA |
| • at 600 V | 0 kA |
| certificate of suitability | NEMA ICS 2; UL 508A |

Further information

Industrial Controls - Product Overview (Catalogs, Brochures,...)

www.usa.siemens.com/iccatalog

Industry Mall (Online ordering system)

<https://mall.industry.siemens.com/mall/en/us/Catalog/product?mlfb=US2:73GT34BFA>

Service&Support (Manuals, Certificates, Characteristics, FAQs,...)

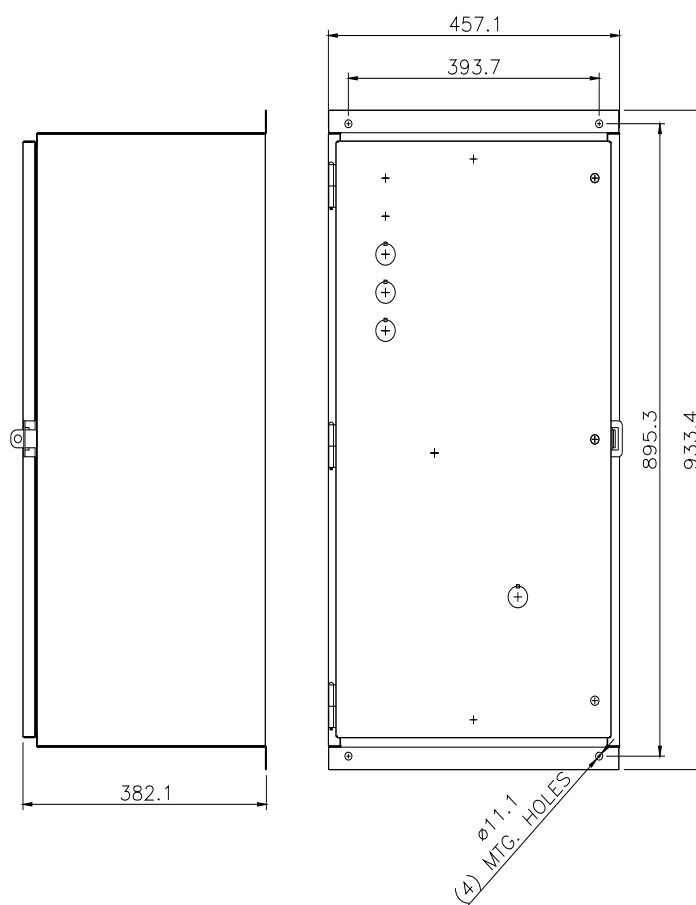
<https://support.industry.siemens.com/cs/US/en/ps/US2:73GT34BFA>

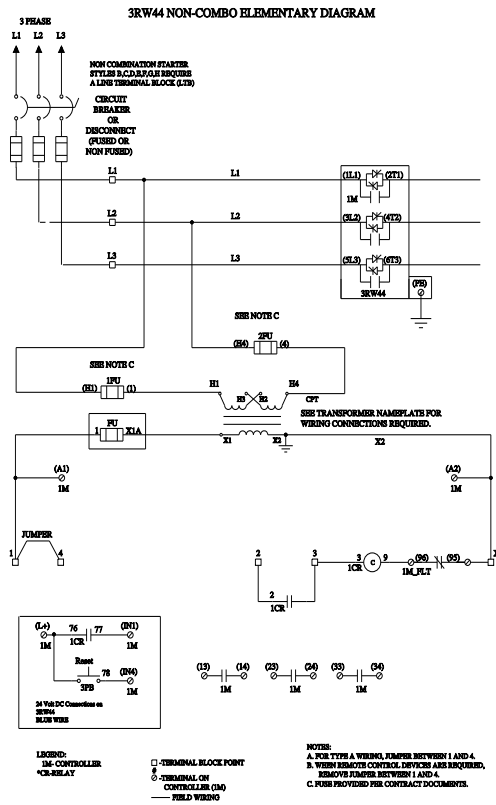
Image database (product images, 2D dimension drawings, 3D models, device circuit diagrams, EPLAN macros, ...)

http://www.automation.siemens.com/bilddb/cax_de.aspx?mlfb=US2:73GT34BFA&lang=en

Certificates/approvals

<https://support.industry.siemens.com/cs/US/en/ps/US2:73GT34BFA/certificate>





D69015H11

last modified:

1/25/2022