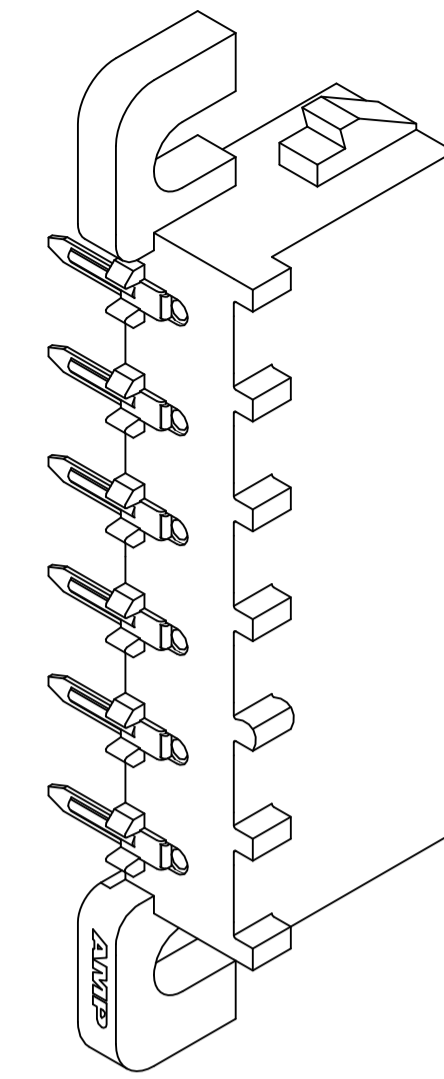
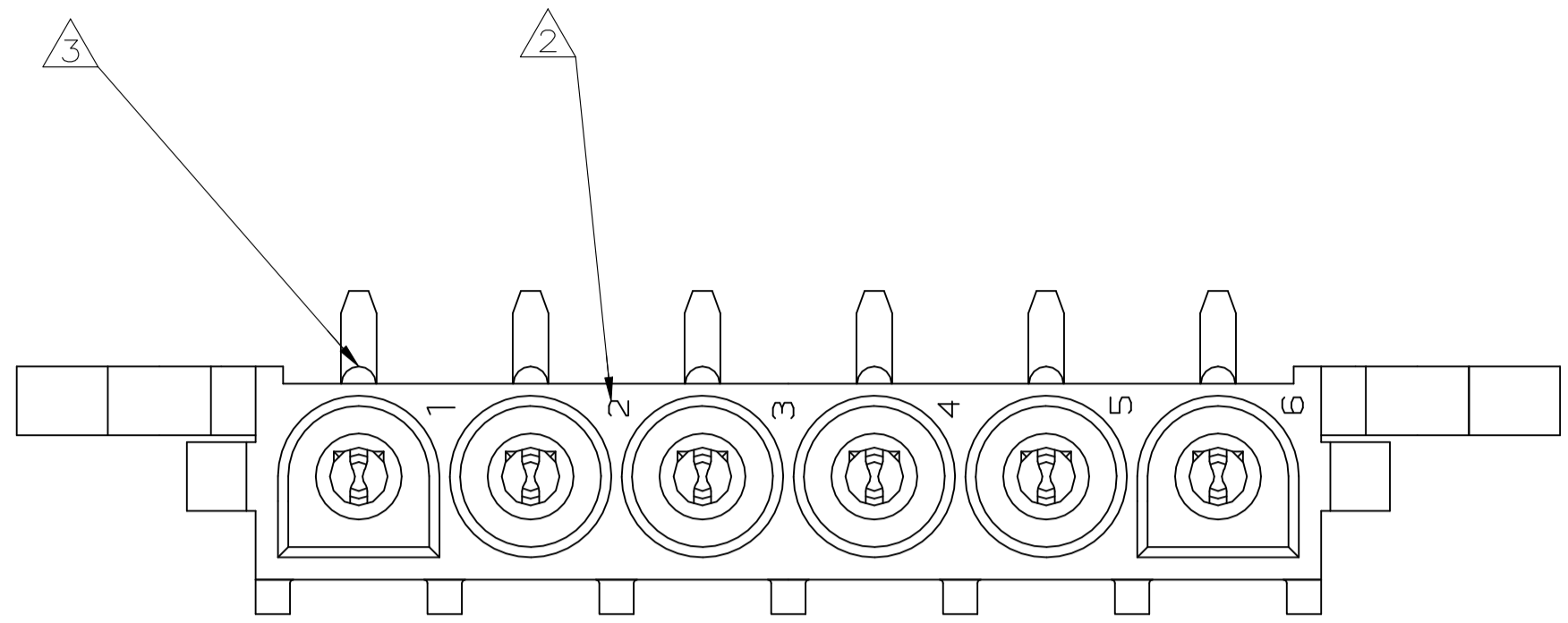
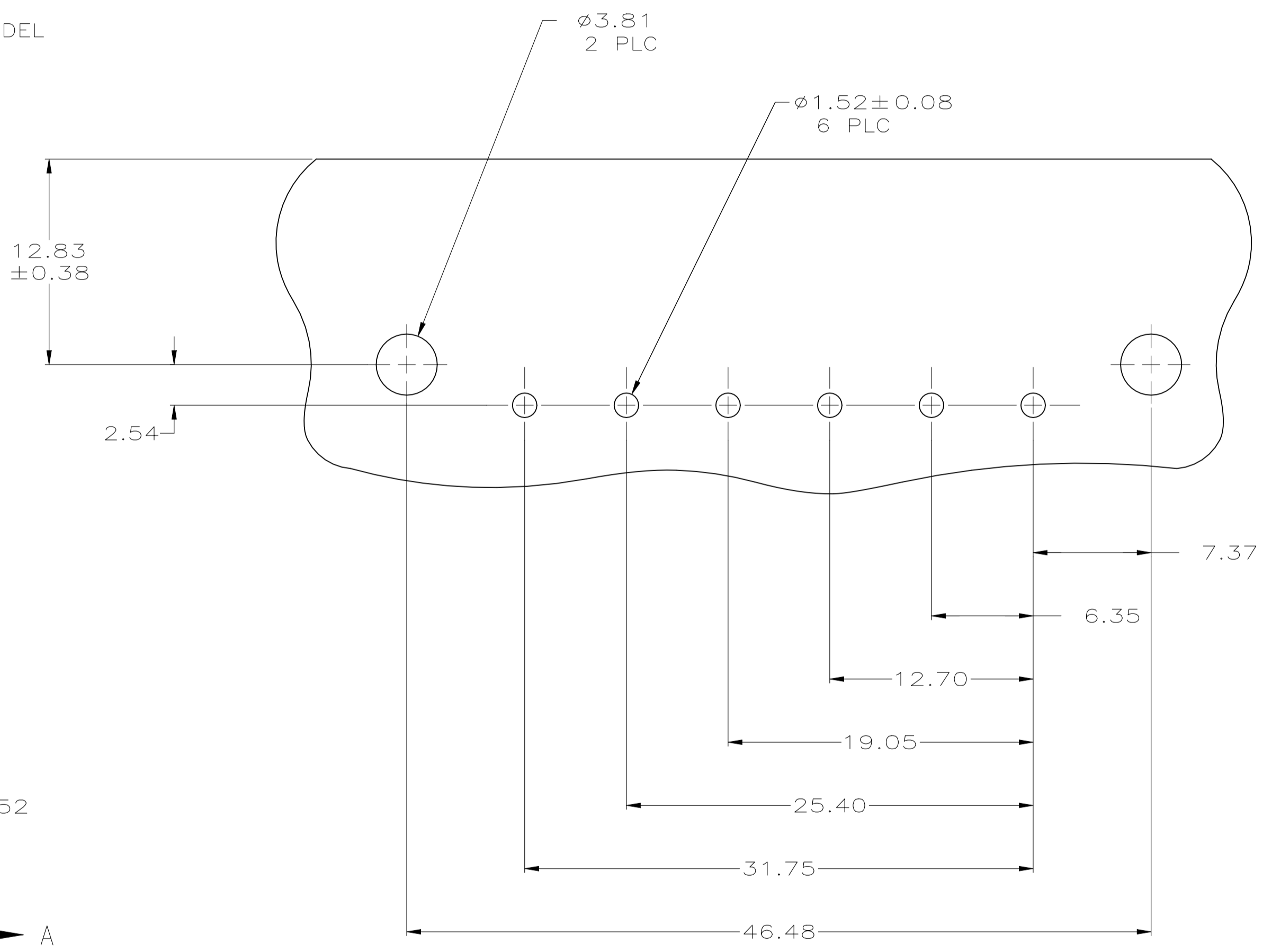
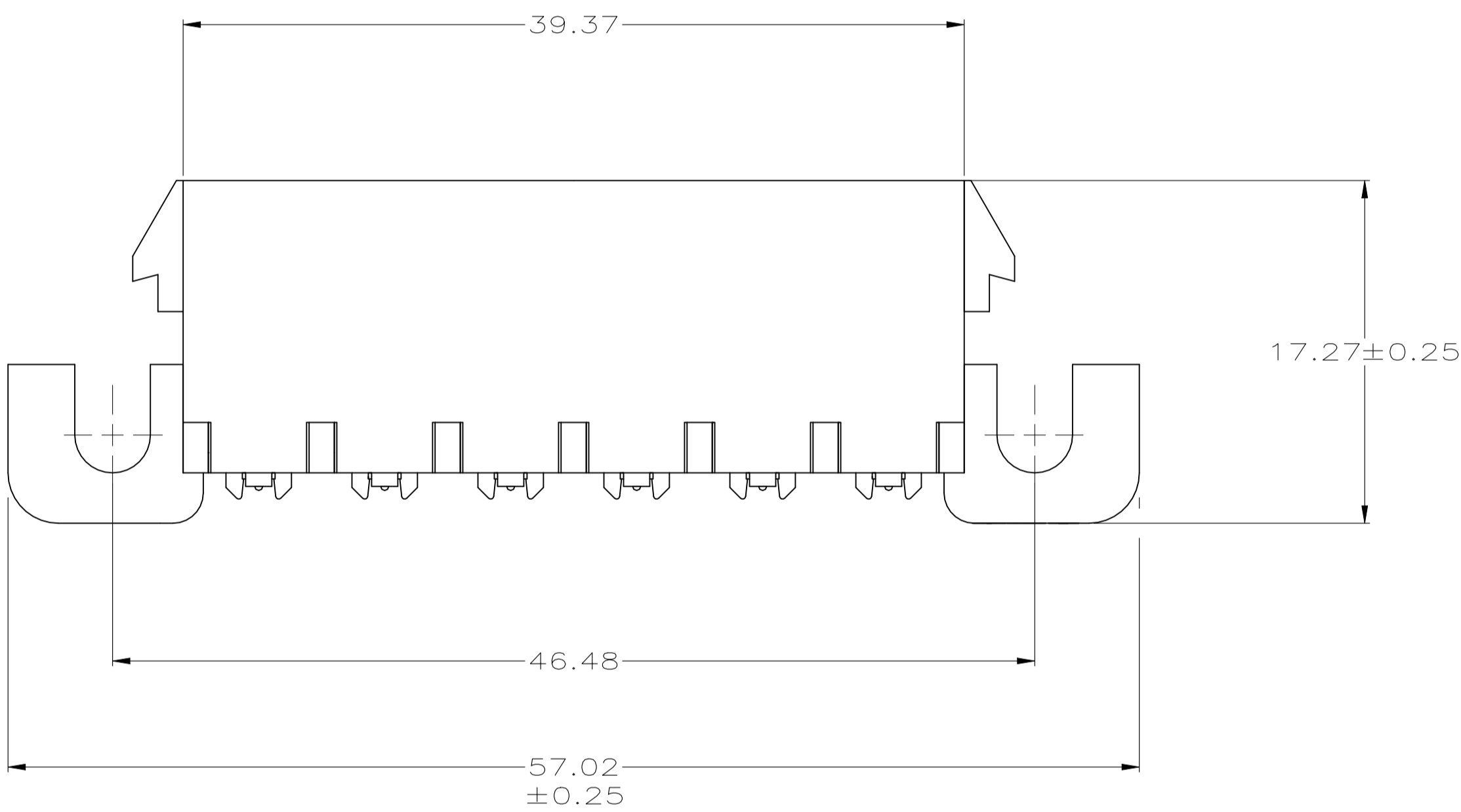


REVISIONS				
REV	DESCRIPTION	DATE	BY	APP'D
M1	REVISED PER ECR-21-118222	21JUL2022	JP	VS

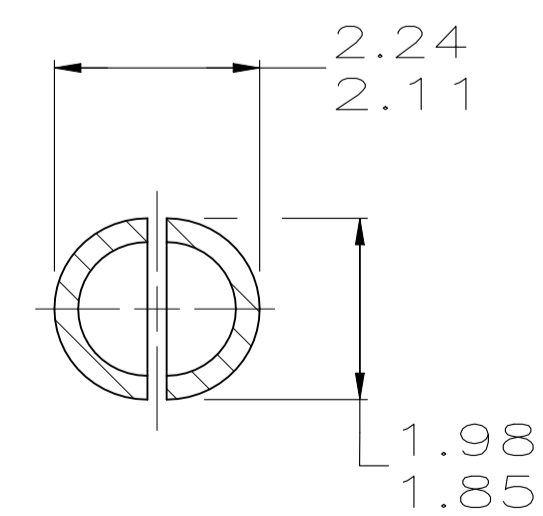
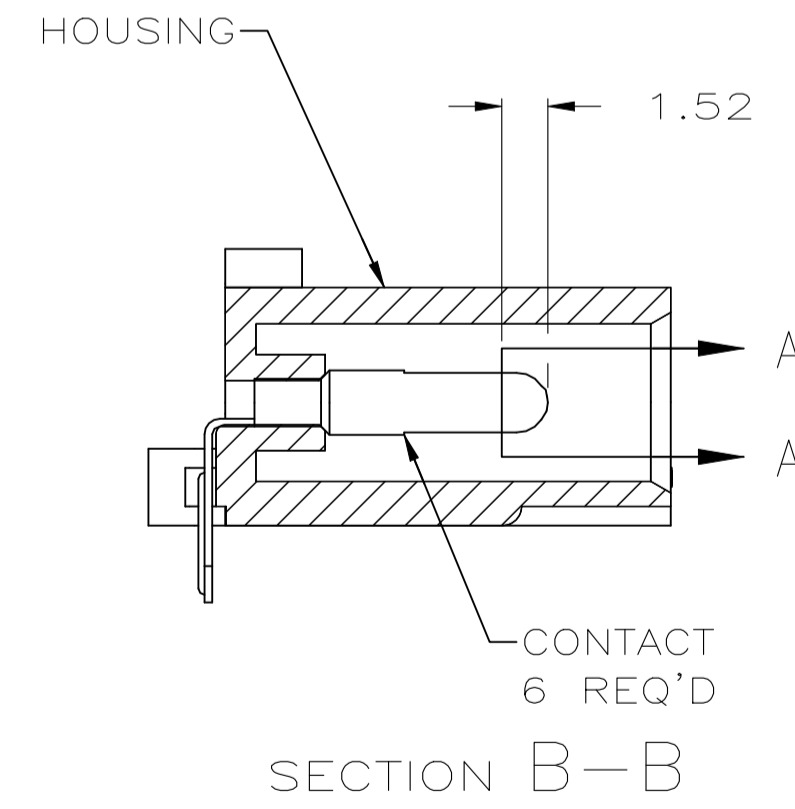
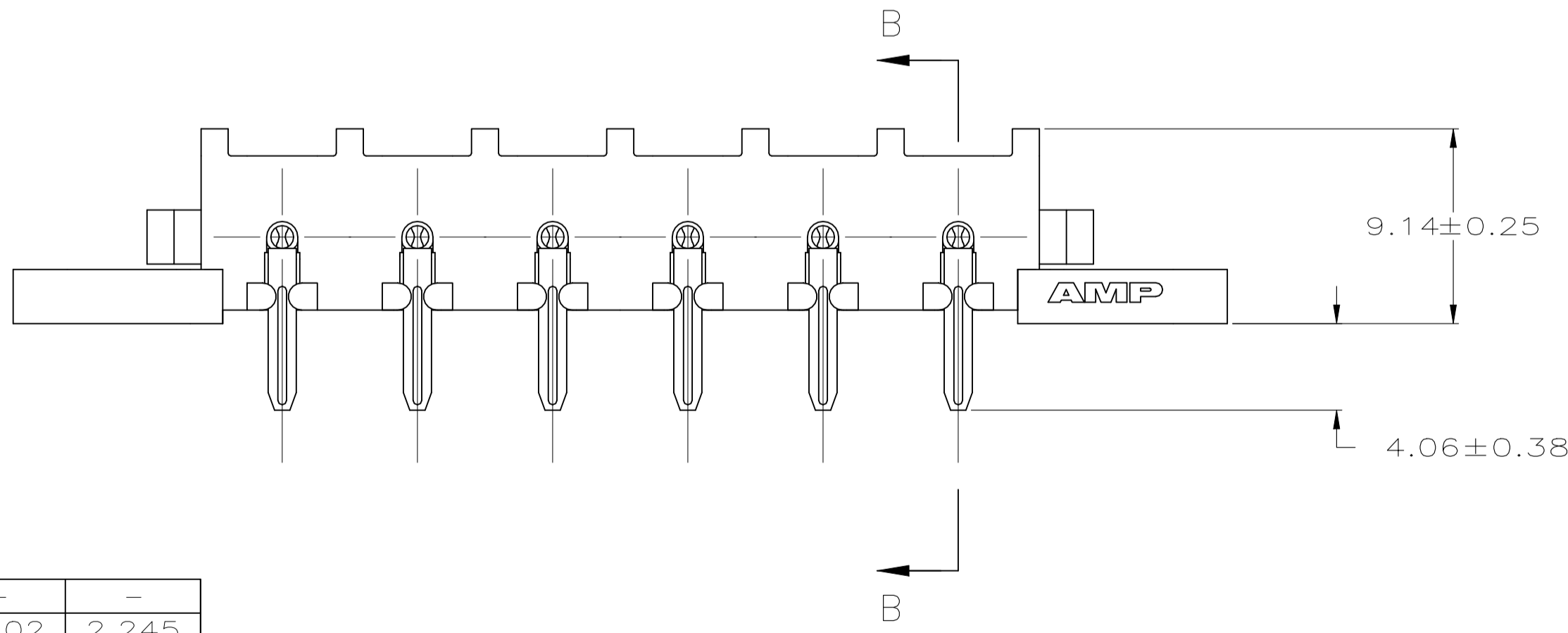
- PARTS COMPLY WITH AMP SOLDERABILITY SPECIFICATION 109-11-5.
- CIRCUIT IDENTIFICATION CHARACTERS ARE ADJACENT TO THE INDICATED CAVITIES, BUT LOCATION AND ORIENTATION MAY DIFFER FROM PRINT.
- OPTIONAL CONSTRUCTION MAY DELETE THIS RIB.
- DIMENSIONS SHOWN REPRESENT PRODUCT IN DRY CONDITION. ADDITIONAL 2% GROWTH DUE TO END USE LOCATION MOISTURE ABSORPTION MAY OCCUR AND SHOULD BE ACCOUNTED FOR.



3-DIMENSIONAL MODEL NTS



RECOMMENDED MOUNTING HOLE PATTERN FOR 1.57 THICK P.C. BOARD



SECTION A-A SCALE 10:1

MM	IN	MM	IN
4.06	.160	-	-
3.81	.150	57.02	2.245
2.54	.100	46.48	1.830
2.24	.088	39.37	1.550
2.11	.083	31.75	1.250
1.98	.078	25.40	1.000
1.85	.073	19.05	.750
1.57	.062	17.27	.680
1.52	.060	12.83	.505
0.38	.015	12.70	.500
0.25	.010	9.14	.360
0.13	.005	7.37	.290
0.08	.003	6.35	.250
MM	IN	MM	IN

CONVERSION TABLE

METRIC

THIS DRAWING IS A CONTROLLED DOCUMENT.

DIMENSIONS: mm	TOLERANCES UNLESS OTHERWISE SPECIFIED:	DIN K. WHITAKER 22JULY2005	22JULY2005
0 PLC ± -	1 PLC ± -	CHK S. RIDGILL 22JULY2005	NAME
2 PLC ± 0.13	3 PLC ± -	APP'D S. RIDGILL 22JULY2005	PRODUCT SPEC
4 PLC ± -	ANGLES ± -	APPLICATION SPEC	SIZE
MATERIAL SEE TABLE	FINISH SEE TABLE	WEIGHT	SCALE
CUSTOMER DRAWING		SIZE A1	SCALE 4:1

PH BRZ TIN	NYLON, UL94V-2	640587-1
CONTACT	HOUSING	PART NO
STE TE Connectivity		
PIN HEADER ASSEMBLY, RIGHT ANGLE MOUNT, 6 POSITION, UNIVERSAL MATE-N-LOK		
SIZE	CAGE CODE	DRAWING NO
A1	00779	640587
RESTRICTED TO	SHEET 1 of 1	
REV M1	SCALE 4:1	