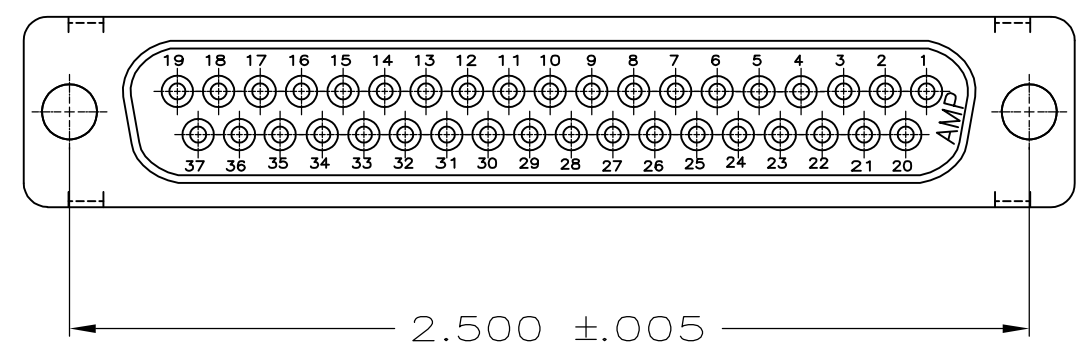
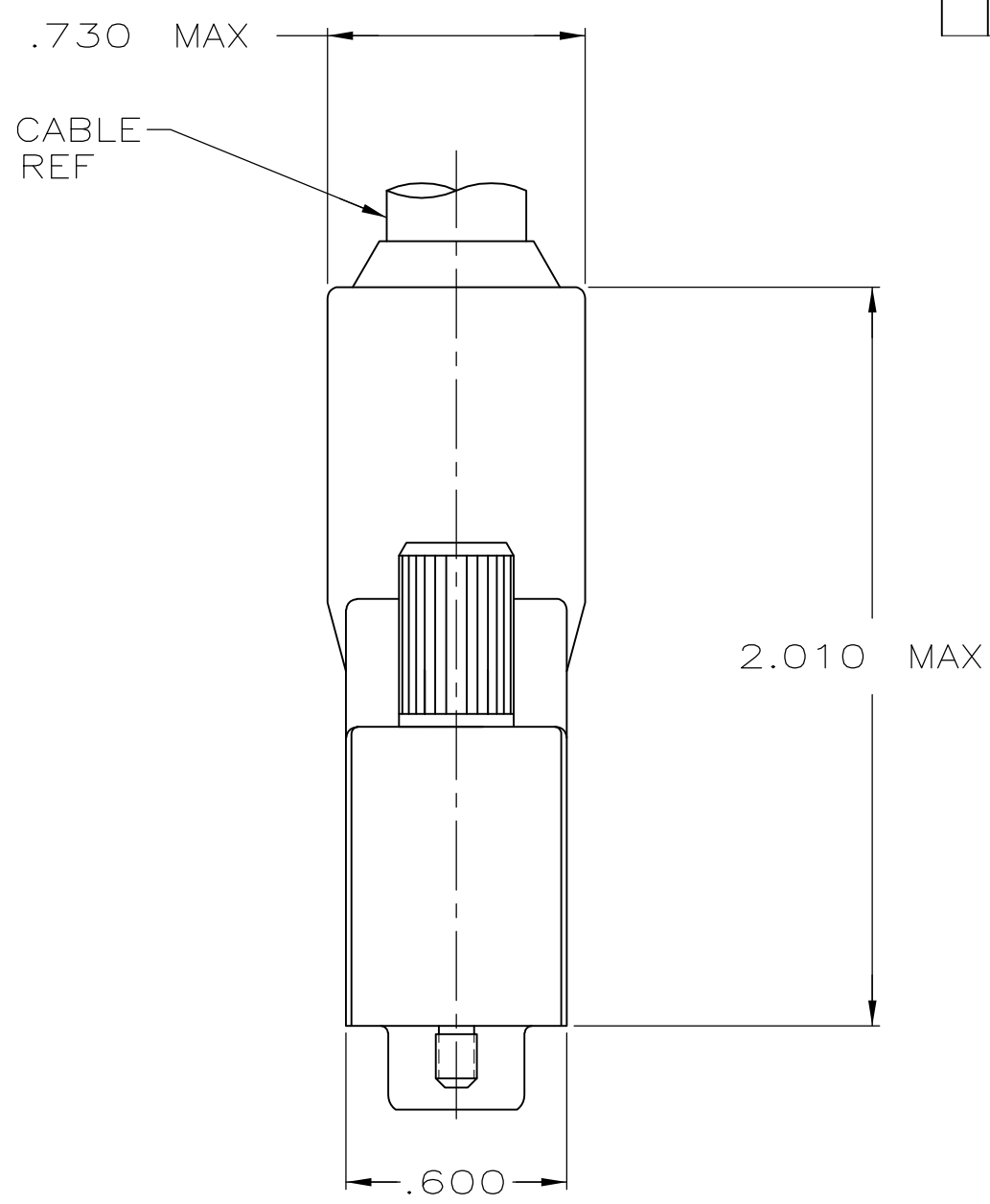
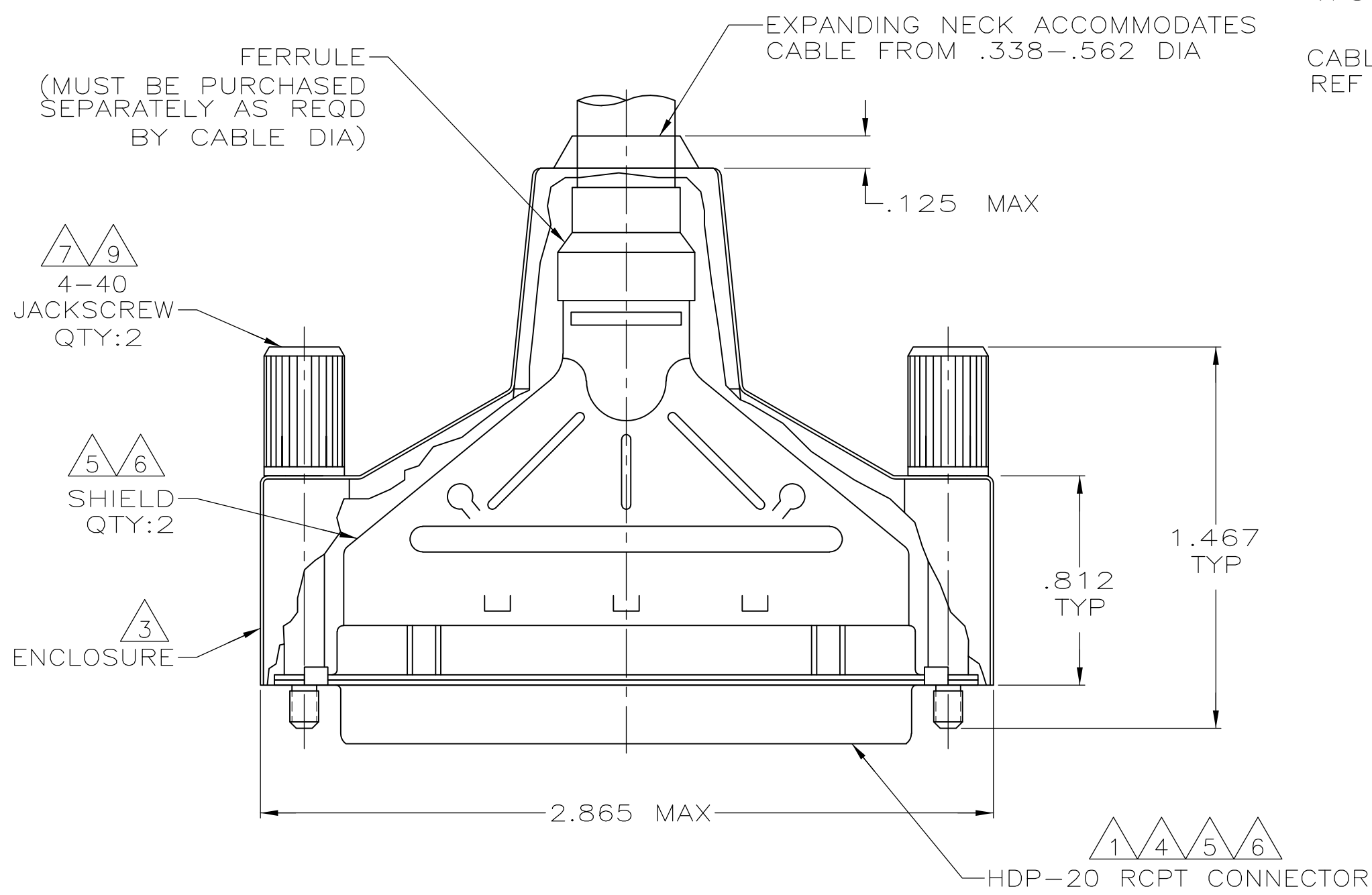


THIS DRAWING IS UNPUBLISHED. RELEASED FOR PUBLICATION
 © COPYRIGHT - By - ALL RIGHTS RESERVED.

REVISIONS				
P	LTR	DESCRIPTION	DATE	APVD
D		REVISED PER ECO-17-002903	20MAR2017	AP DG



- 1 RCPT ACCEPTS SIZE 20 DF SOCKET CONTACTS. CONTACTS MUST BE PURCHASED SEPARATELY.
- 2 ALL PARTS SHIPPED UNASSEMBLED.
- 3 FLAME RETARDANT 94V-0 RATED, STYRENE POLYOLEFIN OR PVC, BLACK.
- 4 FLAME RETARDANT 94V-0 RATED GLASS FILLED, NYLON OR POLYESTER, BLACK.
- 5 STEEL PER ASTM A109.
- 6 .000200 MIN TIN PLATE OVER .000100 MIN COPPER UNDERPLATE.
- 7 BLACK ZINC FLAKE COATING.
- 8 COMPONENTS INDIVIDUALLY BULK PACKED.
- 9 CARBON STEEL, C1022.

8	W/LOGO	1658660-1
PACKAGING	REMARKS	PART NUMBER

THIS DRAWING IS A CONTROLLED DOCUMENT.		DWN J.REITZEL 31JUL03	TE TE Connectivity	
DIMENSIONS: INCHES		CHK S.BOLASH 31JUL03		
TOLERANCES UNLESS OTHERWISE SPECIFIED:		APVD M.WALMSLEY 31JUL03	NAME	
0 PLC ± -		PRODUCT SPEC	BULK KIT, RCPT, SHIELDING	
1 PLC ± -		APPLICATION SPEC	ENCLOSURE, SIZE 4,	
2 PLC ± -		108-40030	37 POSN, AMPLIMITE™ HDP-20	
3 PLC ± .020		114-40030	SIZE A2	CAGE CODE 00779
4 PLC ± -		WEIGHT 0.000000	DRAWING NO C=1658660	RESTRICTED TO -
ANGLES ± -		CUSTOMER DRAWING	SCALE 2:1	SHEET 1 of 1
FINISH			REV D	

1658660