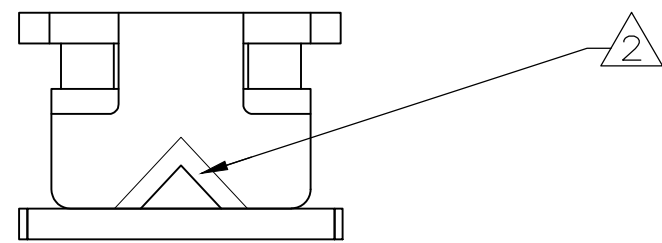
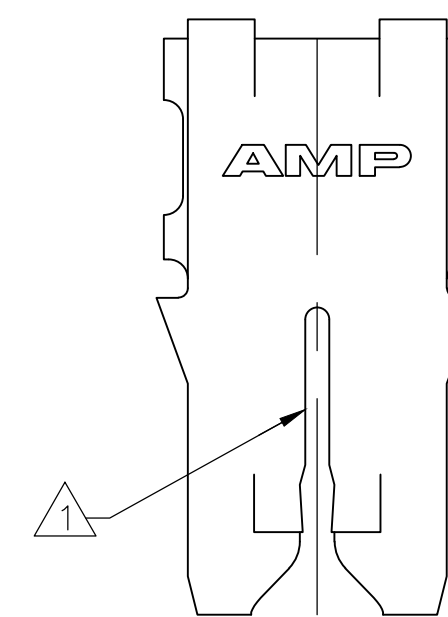
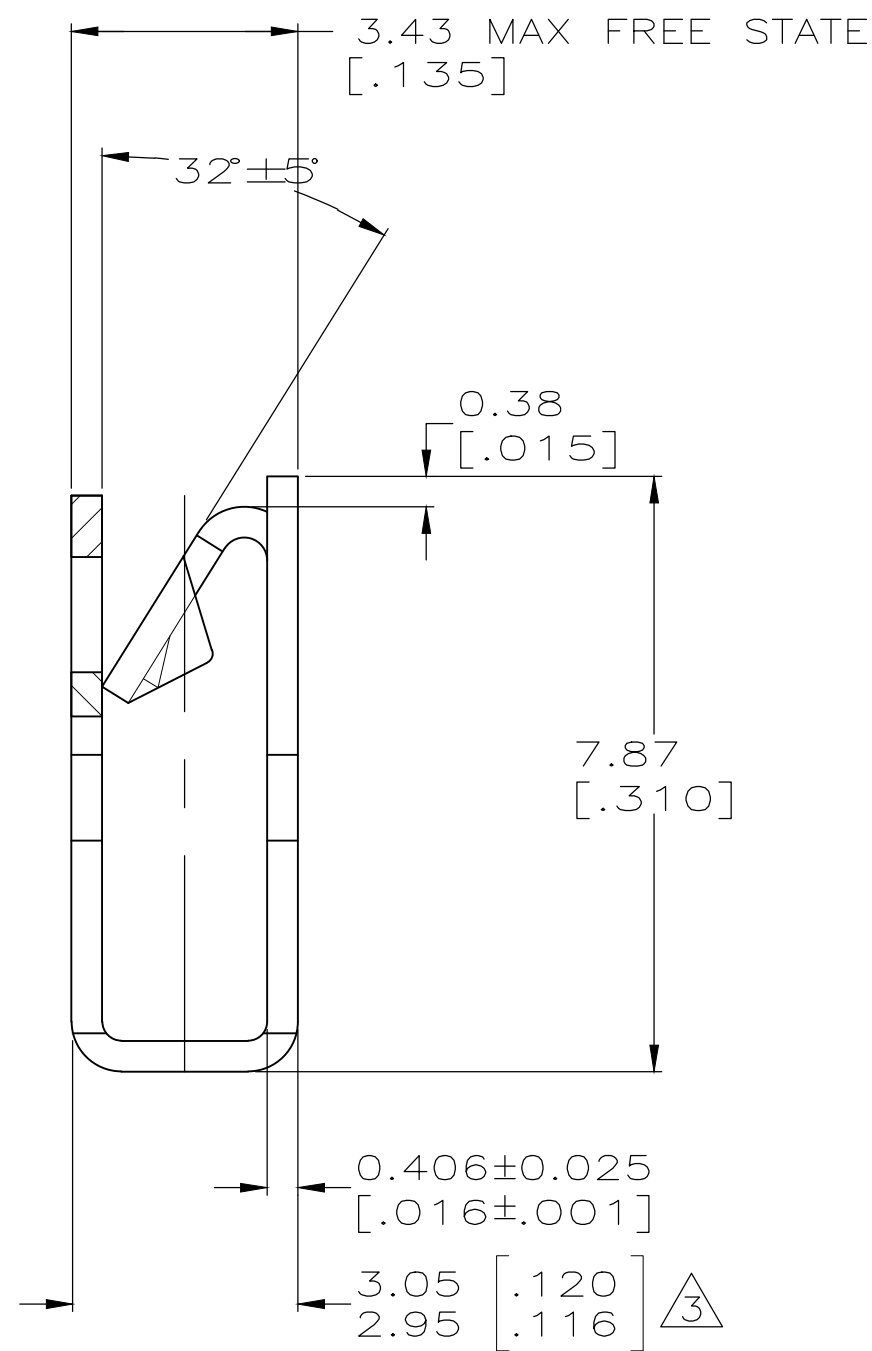
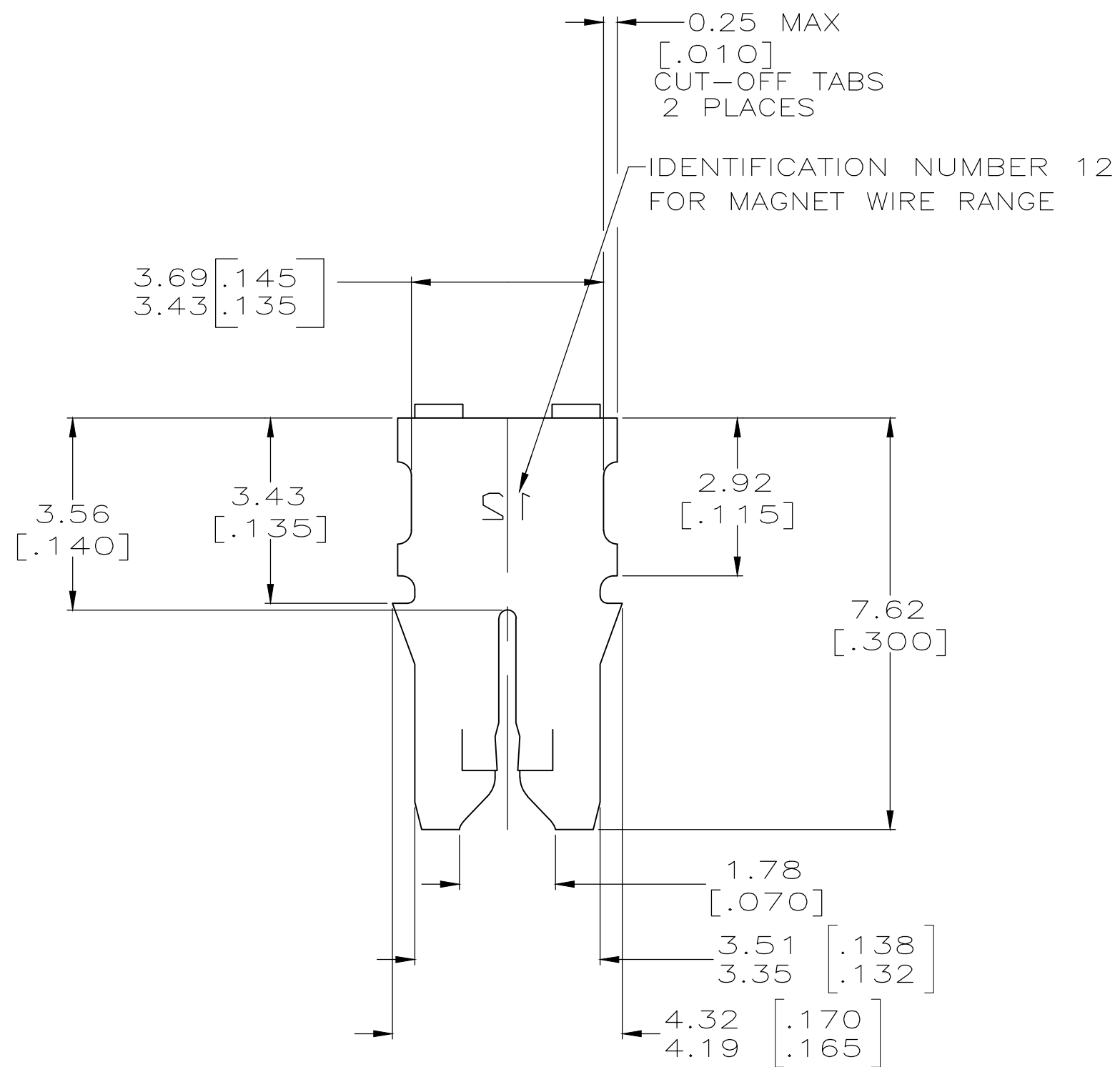


THIS DRAWING IS UNPUBLISHED. RELEASED FOR PUBLICATION
 © COPYRIGHT - By - ALL RIGHTS RESERVED.

LOC	DIST	REVISIONS			
P	LTR	DESCRIPTION	DATE	DWN	APVD
AF	50	B4	REVISED PER ECR-18-009392	28MAR2019	BDA SV



- ① SLOT ACCEPTS 0.45-0.64mm [#25-#22] AWG COPPER MAGNET WIRE. 2 WIRES OF THE SAME SIZE PER SLOT EXCEPT 0.64mm [#22] AWG WHICH IS ONE WIRE ONLY OR 0.57-0.72 mm [#23-#21] AWG ALUMINIUM SINGLE MAGNET WIRE ONLY. ALUMINIUM WIRE RANGE IS APPLICABLE FOR POST TIN PLATED PART NOS ONLY
- ② POKE-IN ACCEPTS A 0.50-0.90mm² [#20-#18] AWG SOLID OR FUSED STRANDED LEAD WIRE
- ③ MEASURE WHEN FREE STATE IS COMPRESSED TO 2.95 [.116] MAX.



1217757-1
 PART NUMBER

THIS DRAWING IS A CONTROLLED DOCUMENT.		DWN MICHAEL S. FEHER 30NOV2001																				
DIMENSIONS: INCHES		CHK KURT A. RANDOLPH 30NOV2001																				
TOLERANCES UNLESS OTHERWISE SPECIFIED:		APVD KURT A. RANDOLPH 30NOV2001	NAME TERMINAL, POKE-IN, LOOSE PIECE, 300 SERIES MAG-MATE																			
<table border="1"> <tr><td>0 PLC</td><td>±</td><td>-</td></tr> <tr><td>1 PLC</td><td>±</td><td>-</td></tr> <tr><td>2 PLC</td><td>±</td><td>-</td></tr> <tr><td>3 PLC</td><td>±</td><td>0.25 [.010]</td></tr> <tr><td>4 PLC</td><td>±</td><td>-</td></tr> <tr><td>ANGLES</td><td>±</td><td>-</td></tr> </table>		0 PLC	±	-	1 PLC	±	-	2 PLC	±	-	3 PLC	±	0.25 [.010]	4 PLC	±	-	ANGLES	±	-	PRODUCT SPEC 108-2012	SIZE A2	CAGE CODE 00779
0 PLC	±	-																				
1 PLC	±	-																				
2 PLC	±	-																				
3 PLC	±	0.25 [.010]																				
4 PLC	±	-																				
ANGLES	±	-																				
MATERIAL BRASS	FINISH TIN PLATE	APPLICATION SPEC 114-2046	DRAWING NO C=1217757	RESTRICTED TO -																		
CUSTOMER DRAWING			SCALE 10:1	SHEET 1 OF 1																		
			REV B4																			