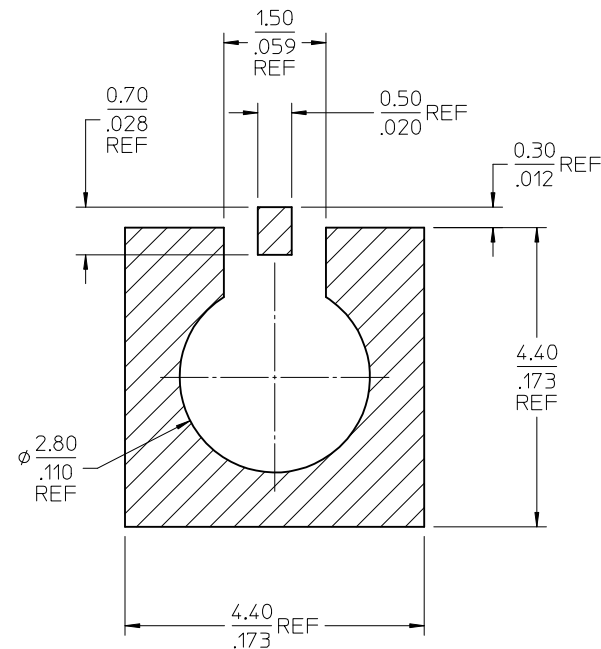
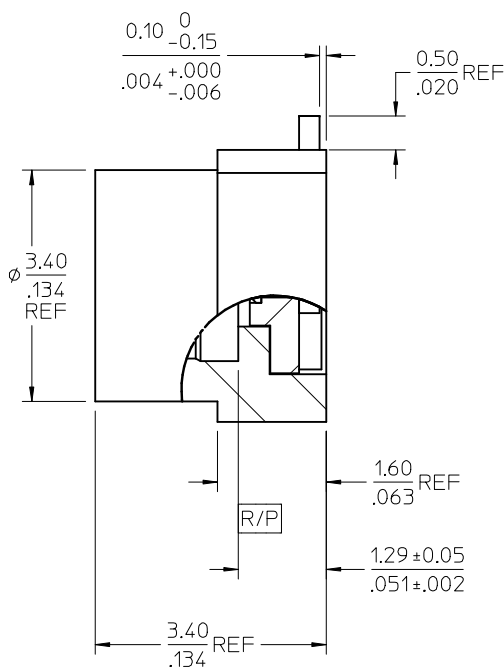
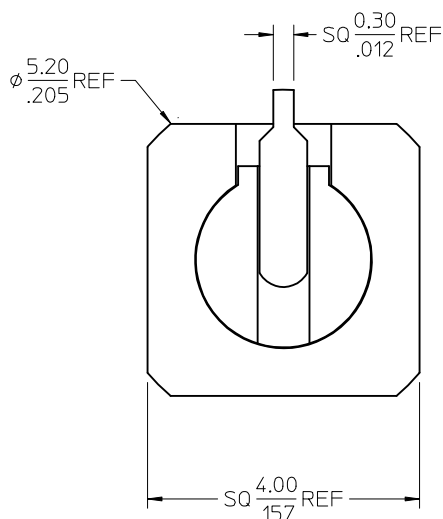
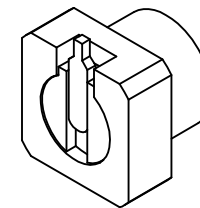


MATERIALS AND FINISHES:

OUTER CONTACT, CENTER CONTACT: BRASS
 PLATED: GOLD (5μ-in MIN) OVER NICKEL (80μ-in MIN)

INSULATOR: PTFE



PCB LAYOUT
 HATCHED AREA IS SOLDER PAD

73300-0092	TAPE AND REEL WITH KAPTON TAPE
73300-0091	TAPE AND REEL (1500 PCS)
73300-0090	SMPM PLUG FULL DETENT INTERFACE (TRAY)
PART NO.	DESCRIPTION

MIL-STD-348B, FIG. 328.2	INTERFACE
SPECIFICATION	DESCRIPTION

CHG: ADD 1.29/.051 DIM IN E6 ZONE UPD MATERIALS & FINISHES NOTES. EC NO: URF2017-0389 DRWIN:APRAKASHO1 2017/05/16 CHKD:BBB 2017/05/16 APPR:AROBERTSON 2017/06/26	QUALITY SYMBOLS ∇=0 ∇=0 ∇=0	GENERAL TOLERANCES (UNLESS SPECIFIED)		DIMENSION STYLE MM/IN		SCALE	DESIGN UNITS METRIC	THIRD ANGLE PROJECTION	
		4 PLACES ± --- ± --- 3 PLACES ± --- ± 0.010 2 PLACES ± 0.25 ± --- 1 PLACE ± --- ± --- 0 PLACE ± ±	mm INCH ± --- ± --- ± 0.010 ± --- ± --- ± --- ± --- ± ---	DRAWN BY JLEE02	DATE 2011/08/02	TITLE SMPM, PLUG VERTICAL PCB FULL DETENT, SMT 50 OHM EWR-4767, SMPM-PCB		molex	
B2		ANGULAR ± 2 °		MATERIAL NO. SEE TABLE		DOCUMENT NO. SD-73300-009		SHEET NO. 1 OF 1	
DRAFT WHERE APPLICABLE MUST REMAIN WITHIN DIMENSIONS									
THIS DRAWING CONTAINS INFORMATION THAT IS PROPRIETARY TO MOLEX INCORPORATED AND SHOULD NOT BE USED WITHOUT WRITTEN PERMISSION									