

V0 IDENTIFIER
APPLIES FOR 12CKT - 24CKT

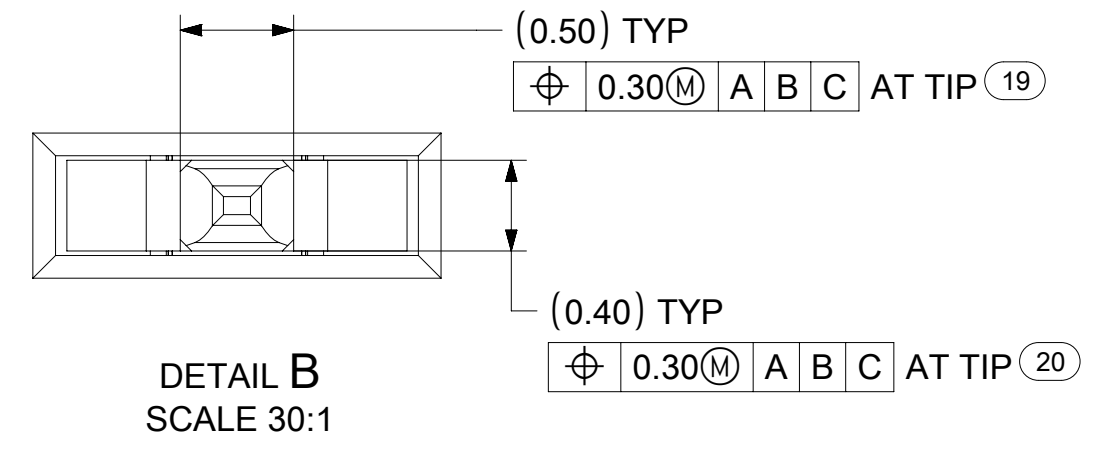
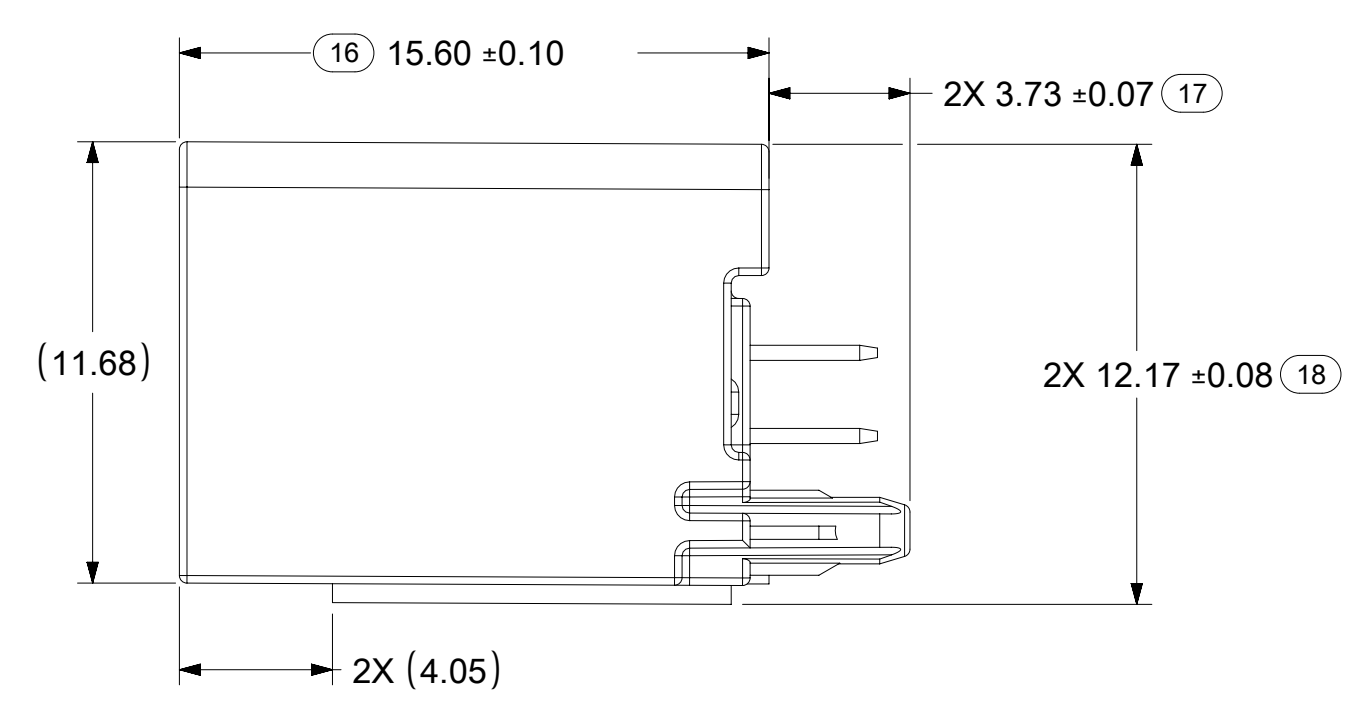
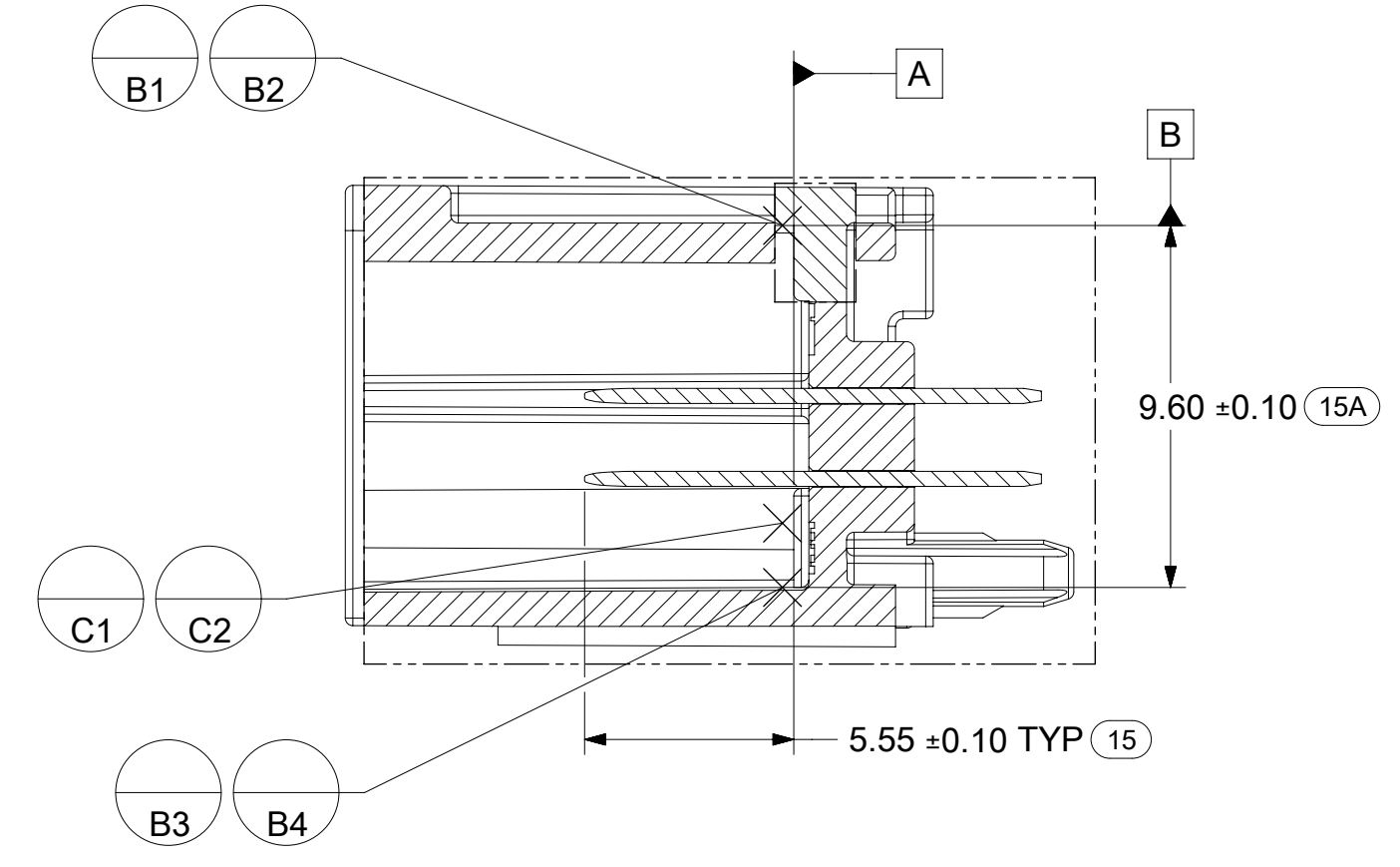
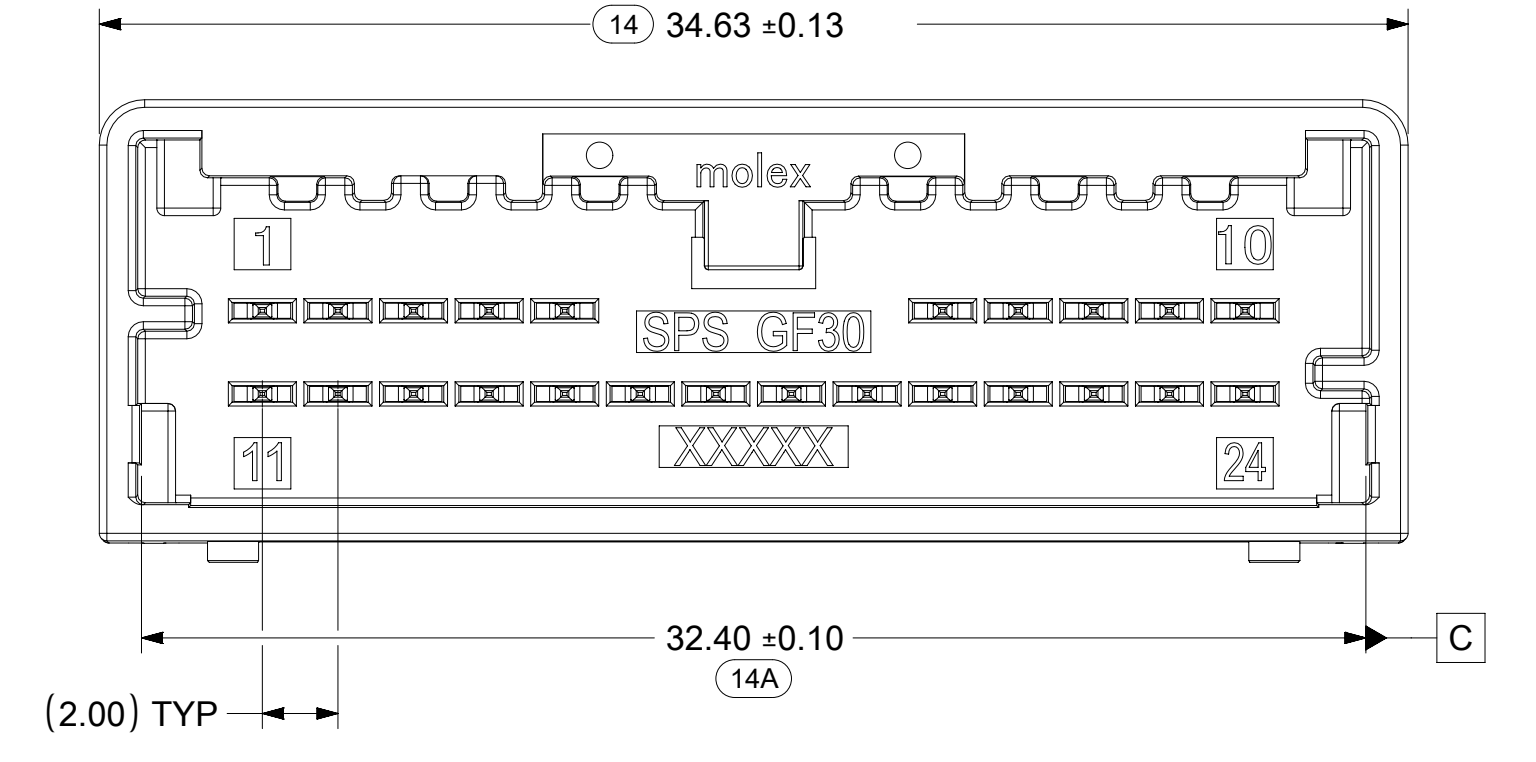
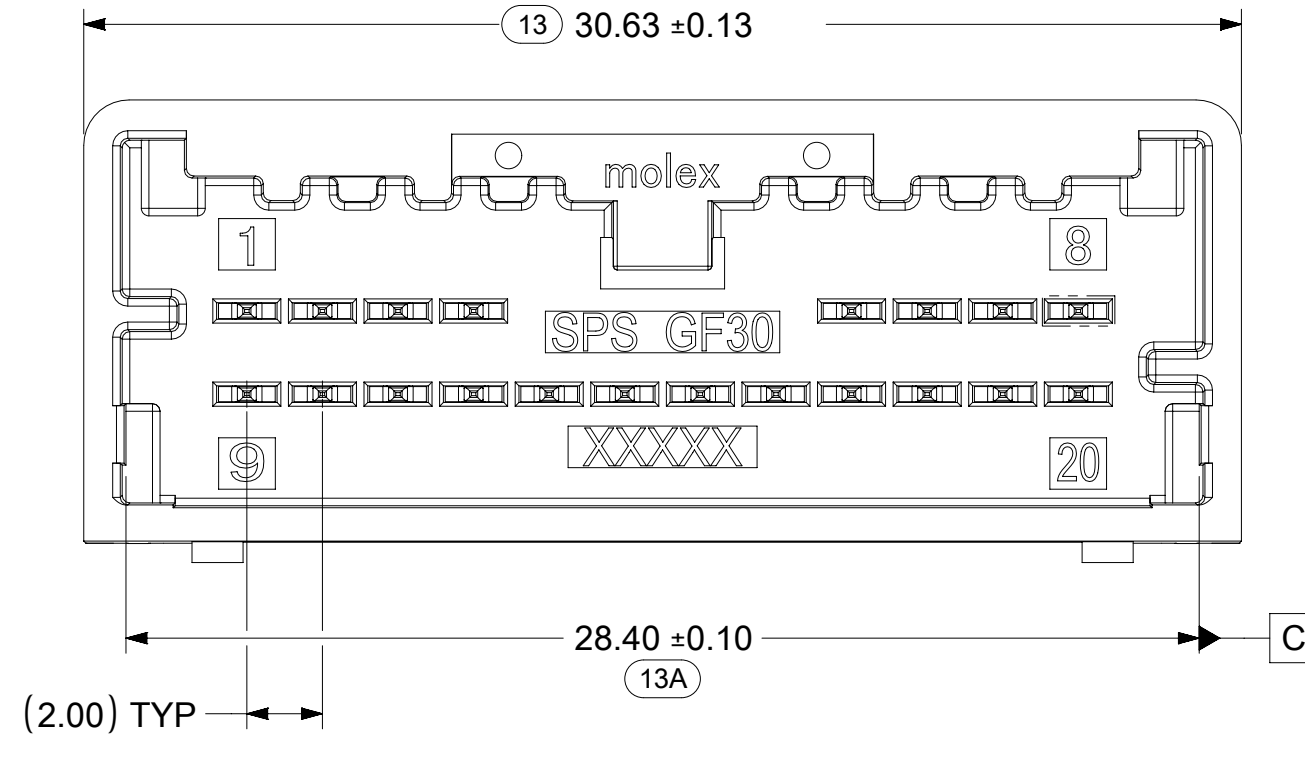
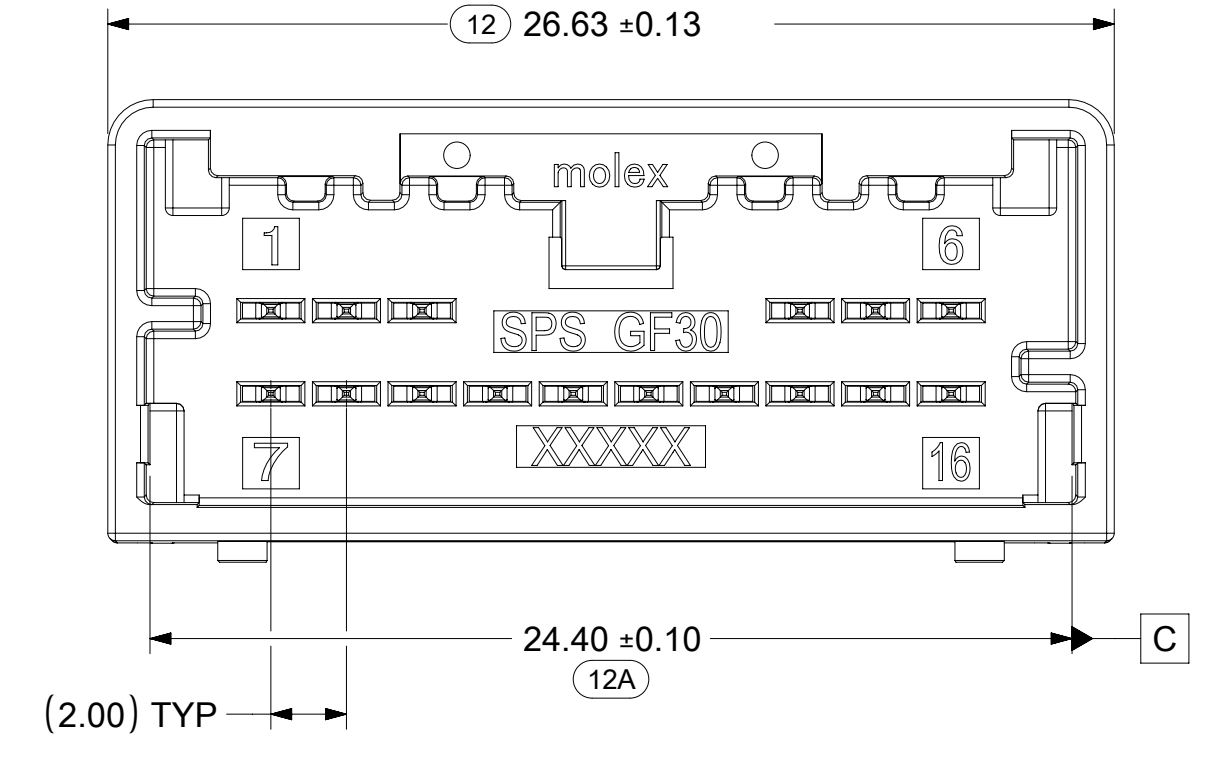
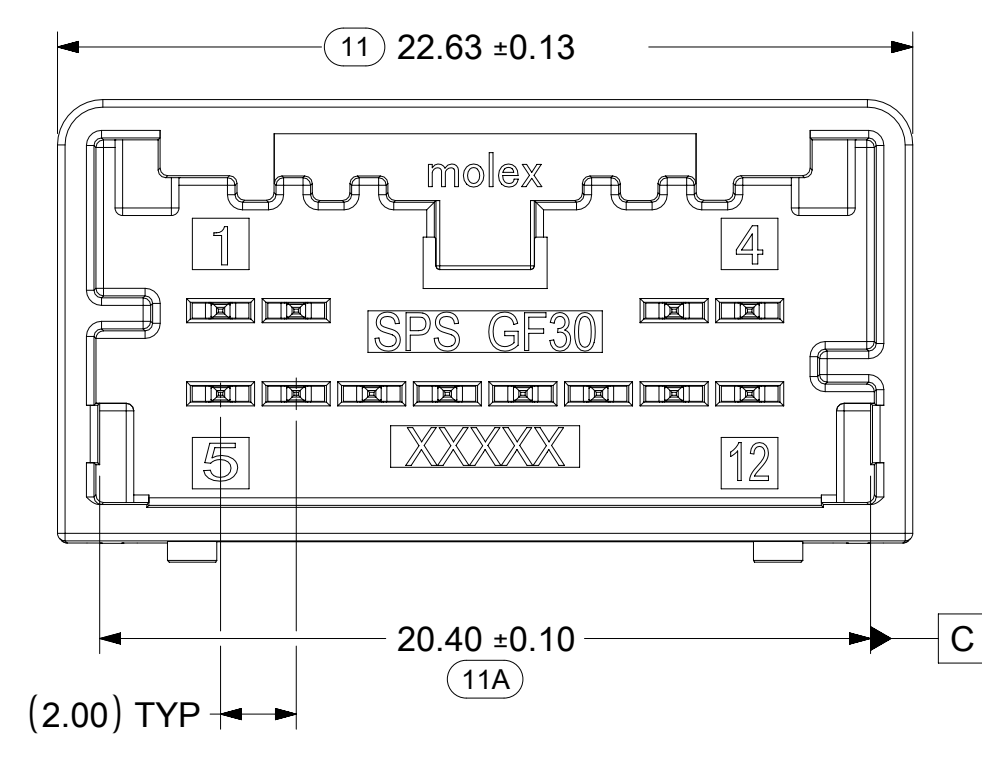
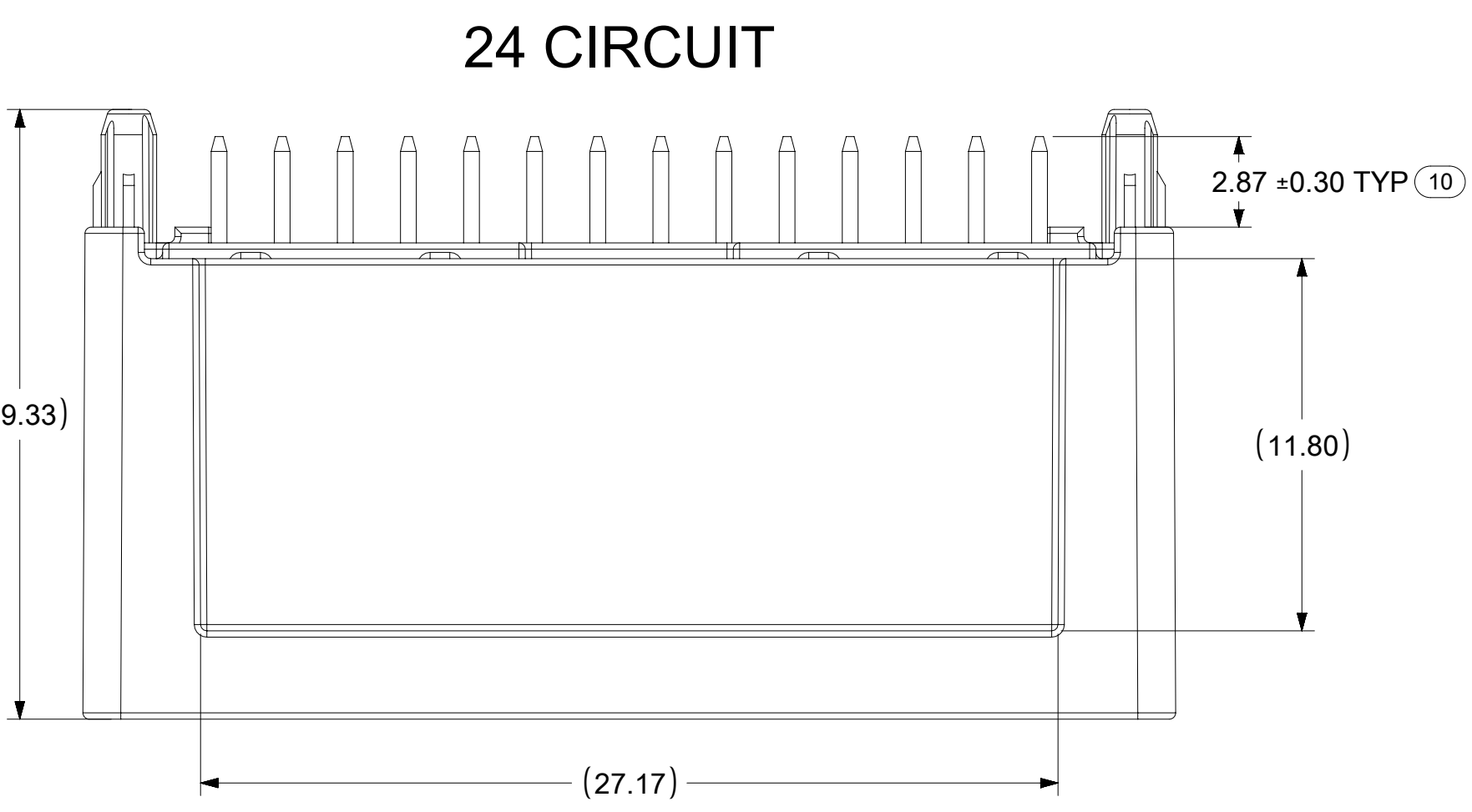
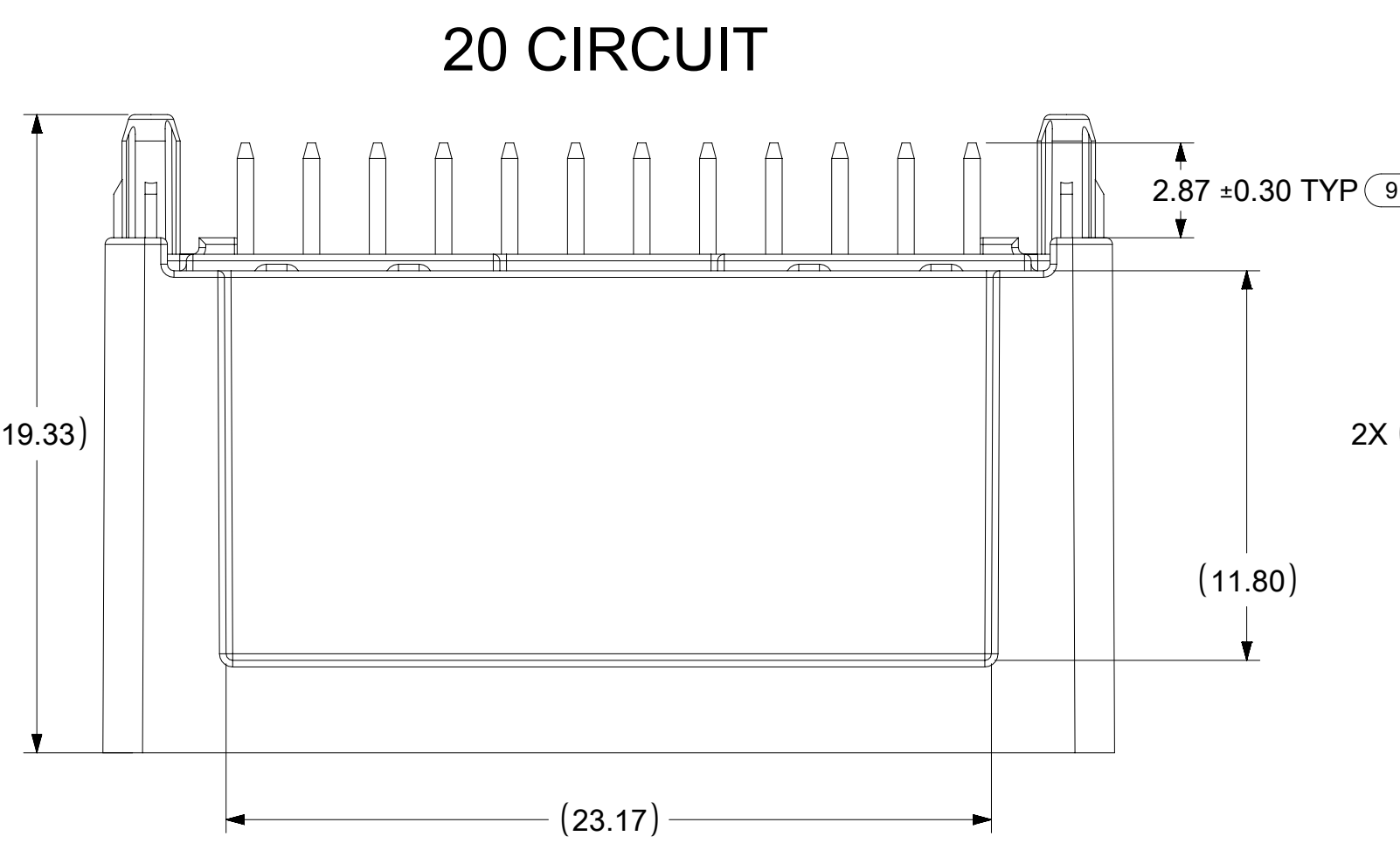
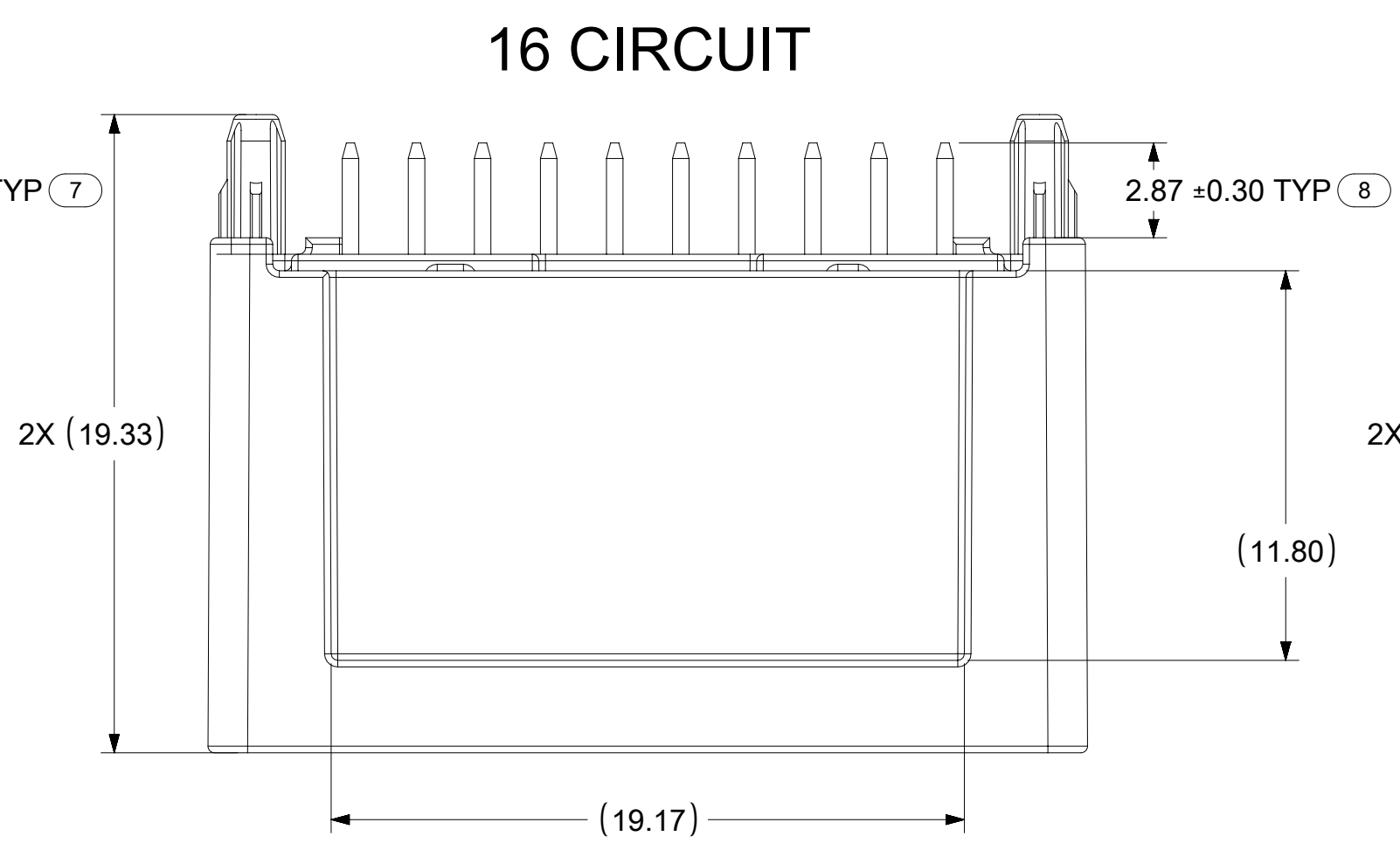
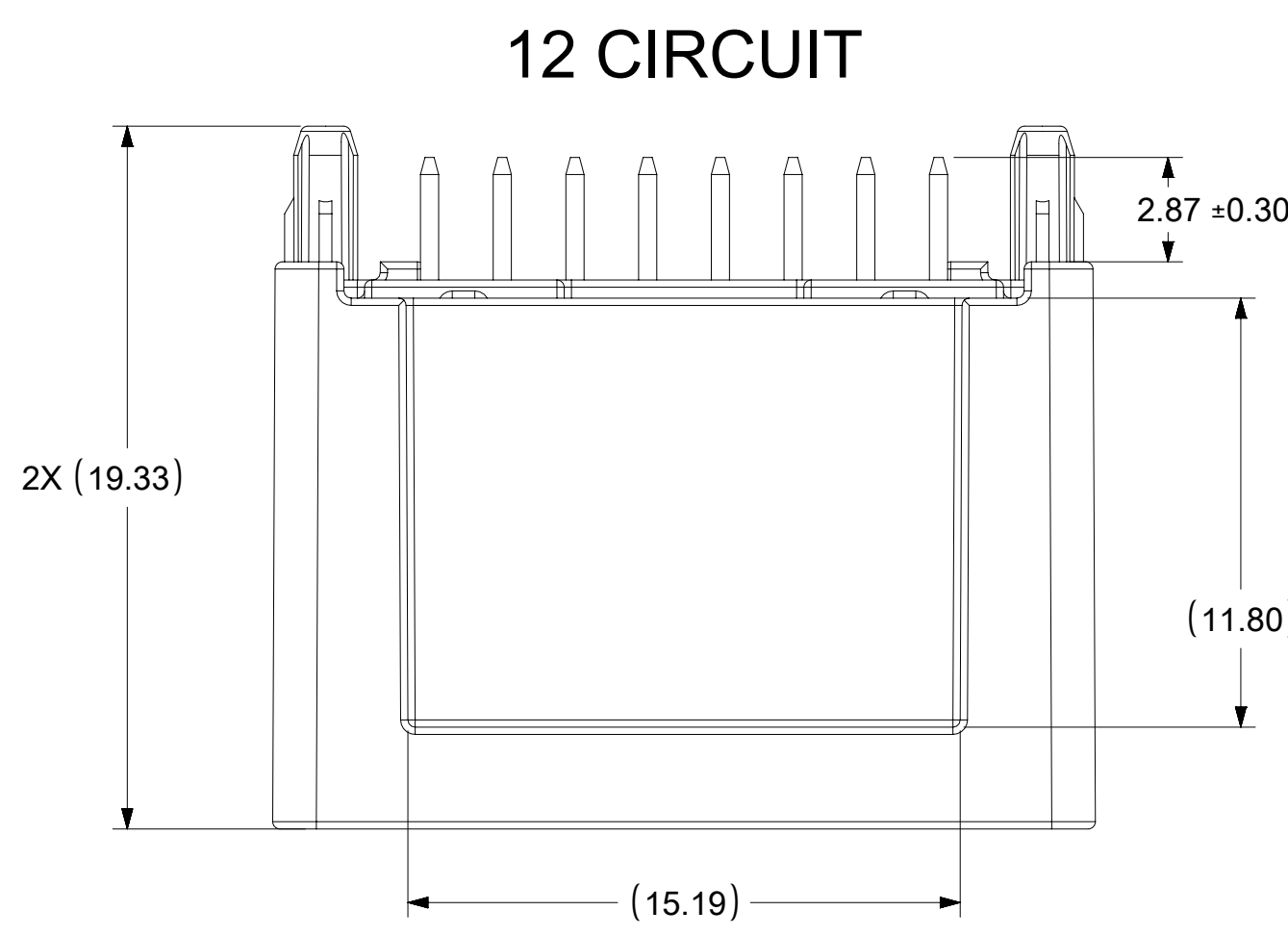
NOTES: VALID UNLESS OTHERWISE SPECIFIED

1. GENERAL:
 - a. APPLICATION SPECIFICATION SEE: AS-34791-020
 - b. PRODUCT SPECIFICATION SEE: PS-34791-020
 - c. PACKAGING SPECIFICATION PER MOLEX DRAWING: SEE CHART
 - d. SOLDERABILITY PER SMES-152
 - e. PARTS MUST BE IN COMPLIANCE TO MOLEX CHEMICAL SUBSTANCES FOR PRODUCTS AND PACKAGING SPECIFICATION: QEHS-699000-300
 - f. DATA MUST BE SUBMITTED UNDER THE MOLEX PART NUMBER TO IMDS (COMPANY ID#13255)
 - g. FLAMMABILITY REQUIREMENT: PER ISO3795 OR GM3191
 - h. VISUAL DEFECTS SHALL MEET COSMETIC STANDARD PS-45499-002 (Class B)
2. DESIGN - MATERIALS:
 - a. SHROUD (PLASTIC HOUSING): SPS 30% GF, 20% REGRIND MAX PER WEIGHT
 - b. BLADES:
 - BASE METAL: C260 BRASS
 - PLATING REQUIREMENTS:
 - TIN OVER NICKEL:
 - UNDERPLATING:
 - OVERALL NICKEL
 - OVERPLATING:
 - OVERALL TIN
3. DESIGN - GEOMETRY:
 - a. THIS IS A 100% CAD GENERATED PART. THE CAD MATHEMATICAL DATA IS THE MASTER FOR THIS PART. FOR DIMENSIONAL OR ANY INFORMATION NOT SHOWN ON THIS DRAWING, ANALYZE THE CAD MODEL.
 - b. GEOMETRIC DIMENSIONS AND TOLERANCES PER ASME Y14.5M - 2009
 - c. GENERAL TOLERANCES: SEE TITLE BLOCK
 - d. EDGES AND UNDIMENSIONED DETAILS PER ISO13715
 - e. CORNERS SHOWN AS SHARP TO BE R 0.1 MAX
 - f. LETTERING SHALL BE 0.10 MAX RAISED. THIS INCLUDES RECYCLING CODE, PLANT AND CAVITY ID, VENDOR ID, AND CIRCUIT ID.
 - g. USCAR INTERFACE:
 - 12 WAY: 050-U-012-2-ZXX
 - 16 WAY: 050-U-016-2-ZXX
 - 20 WAY: 050-U-020-2-ZXX
 - 24 WAY: 050-U-024-2-ZXX

H5	SHEET 4: CORRECTED 12CKT V0 BOM PNs
H4	REMOVED ONE OF TWO BOM PAGES SHEET 4: BOM STATUS REMOVED - ALL PARTS ARE AVAILABLE ADDED MATING COMPONENT SD INFO
H3	VIEWS UPDATED, NO DIM OR GEOMETRY CHANGES
H2	SHEET 1: ADDED V0 VIEW SHEET 2: ADDED BALLOONS 11A, 12A, 13A, 14A, 15A SHEET 4: REMOVED. MATING COMPONENT PBT PNs 16-24CKT ARE OBSOLETE SHEET 5: ADDED V0 PNs TO BOM TABLE
H1	SHEET 1: ADDED NOTE 3g
H	DRAWING REMASTERED UPDATED VIEWS TO MATCH PRODUCTION CHANGE. NO DIMENSIONAL OR GEOMETRY CHANGES. PAGE 4&5: ADDED P/N 348258207 TO TABLES
REV	DESCRIPTION

INSPECTION BALLON NUMBER LOG	
PER DRAWING REVISION: H5	
LAST BALLOON USED: 20	
ADDED BALLOON NUMBERS: 11A, 12A, 13A, 14A, 15A	
REMOVED BALLOON NUMBERS: 1, 2, 3, 4, 5, 6	

THIS DRAWING CONTAINS INFORMATION THAT IS PROPRIETARY TO MOLEX ELECTRONIC TECHNOLOGIES, LLC AND SHOULD NOT BE USED WITHOUT WRITTEN PERMISSION		CURRENT REV DESC:			
DIMENSION UNITS	SCALE	GENERAL TOLERANCES (UNLESS SPECIFIED)			
mm	5:1	ANGULAR TOL	± 3.0°	EC NO: 663283	
4 PLACES ±		3 PLACES ±		DRWN: SRUSS 2021/05/07	
2 PLACES ± 0.1		1 PLACE ± 0.2		CHK'D: KHEWITT 2021/05/07	
0 PLACES ±		DRAFT WHERE APPLICABLE MUST REMAIN WITHIN DIMENSIONS		APPR: JDUNAJ 2021/05/18	
THIRD ANGLE PROJECTION		DRAWING		INITIAL REVISION:	
D-SIZE		SERIES		DRWN: TMACHUGA 2012/05/03	
34825		MATERIAL NUMBER		APPR: SMARCEAU 2012/05/03	
GENERAL MARKET		CUSTOMER		DOCUMENT NUMBER	
1 OF 4		PSD		SD-34825-001	
		001		DOC TYPE	
		H5		DOC PART	
				REVISION	



THIS DRAWING CONTAINS INFORMATION THAT IS PROPRIETARY TO MOLEX ELECTRONIC TECHNOLOGIES, LLC AND SHOULD NOT BE USED WITHOUT WRITTEN PERMISSION									
DIMENSION UNITS		SCALE		CURRENT REV DESC:					
mm		5:1		EC NO: 663283					
GENERAL TOLERANCES (UNLESS SPECIFIED)				DRWN: SRUSS		2021/05/07		molex	
ANGULAR TOL ± 3.0°				CHK'D: KHEWITT		2021/05/07		MINI50 12-24CKT VERT HDR SALES DRAWING	
4 PLACES ±				APPR: JDUNAJ		2021/05/18		PRODUCT CUSTOMER DRAWING	
3 PLACES ±				INITIAL REVISION:				DOCUMENT NUMBER	
2 PLACES ± 0.1				DRWN: TMACHUGA		2012/05/03		SD-34825-001	
1 PLACE ± 0.2				APPR: SMARCEAU		2012/05/03		DOC TYPE	
0 PLACES ±				DRAFT WHERE APPLICABLE MUST REMAIN WITHIN DIMENSIONS		THIRD ANGLE PROJECTION		DOC PART	
DRAFT WHERE APPLICABLE MUST REMAIN WITHIN DIMENSIONS		THIRD ANGLE PROJECTION		DRAWING		SERIES		REVISION	
		D-SIZE		34825		GENERAL MARKET		H5	
DOCUMENT STATUS		RELEASE DATE		MATERIAL NUMBER		CUSTOMER		SHEET NUMBER	
P1		2021/05/18 15:37:14				GENERAL MARKET		2 OF 4	

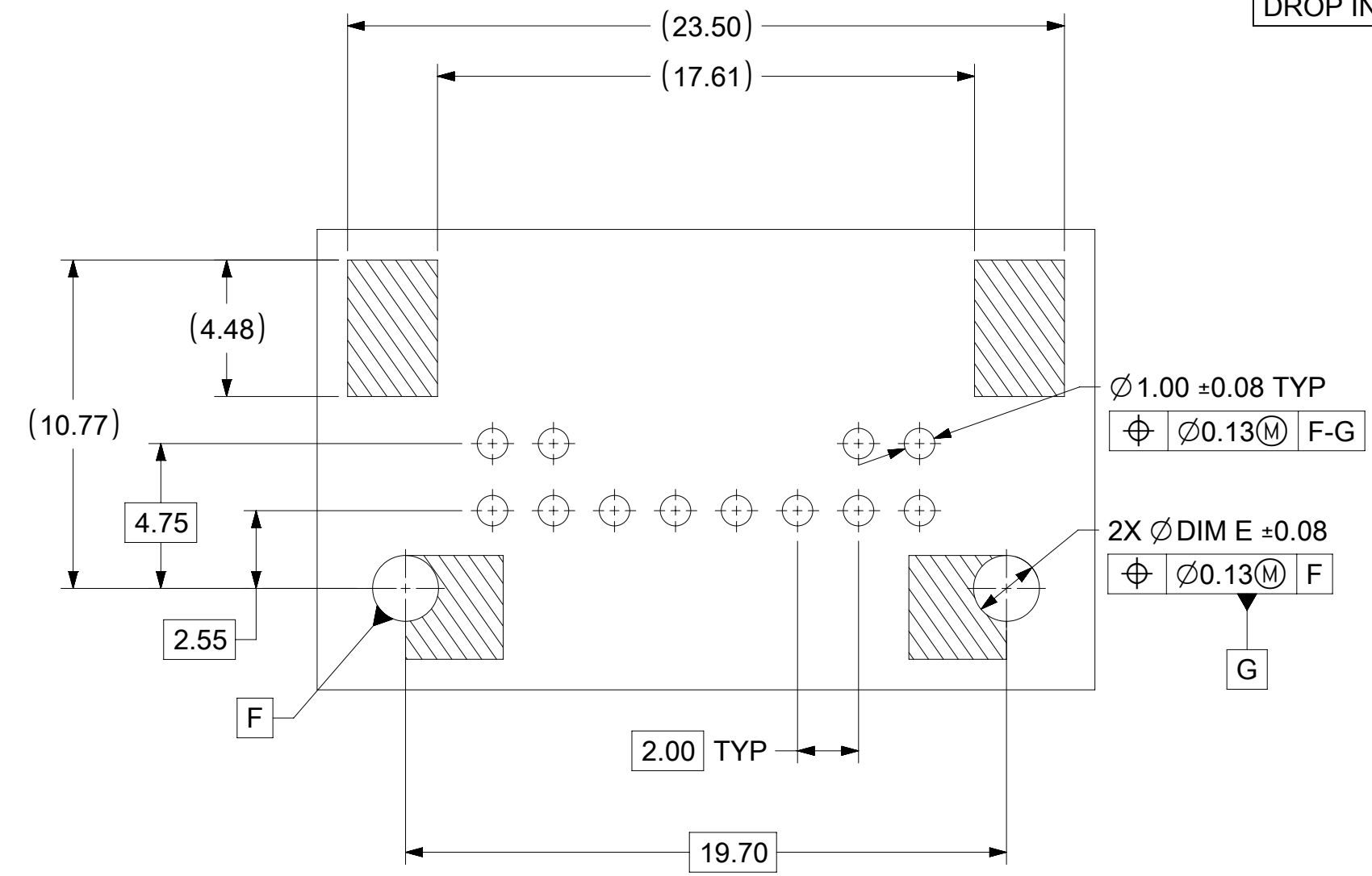
PCB LAYOUT

BOARD SHOWN FOR REFERENCE ONLY

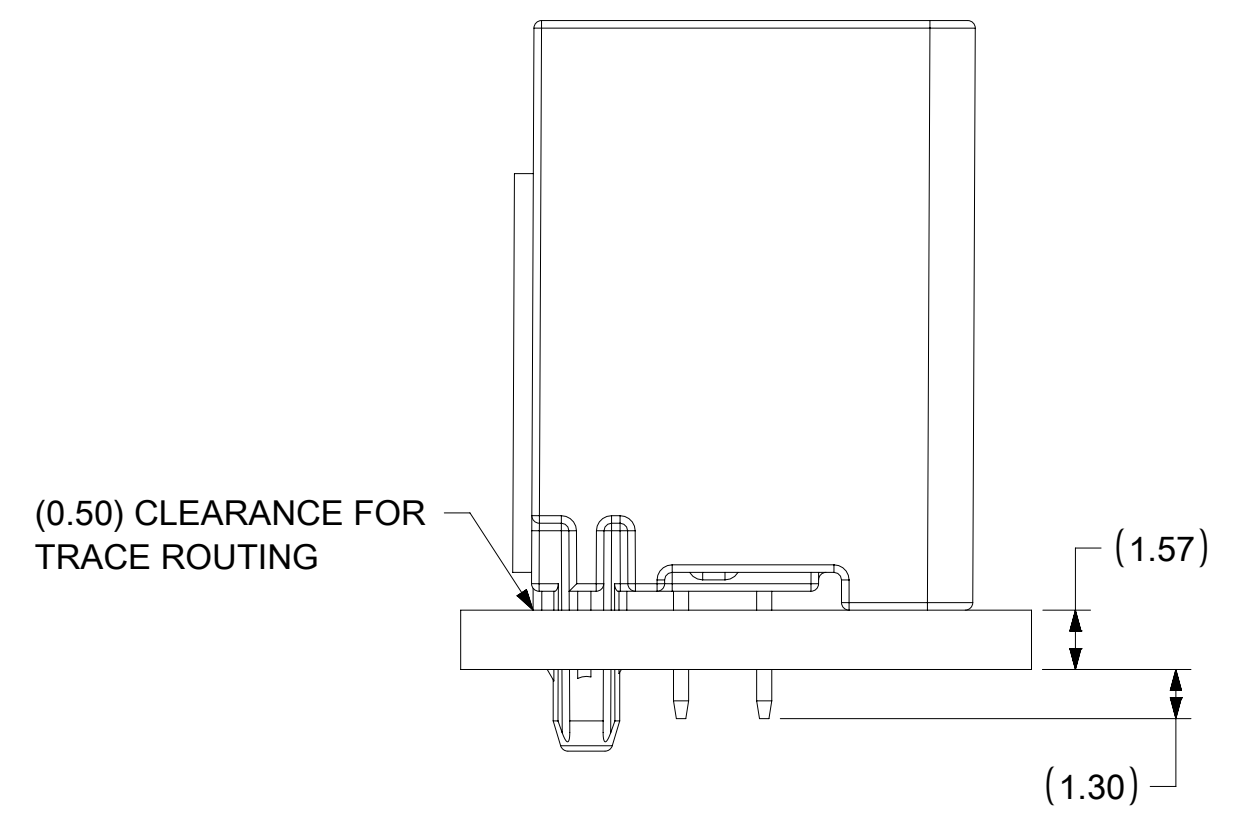
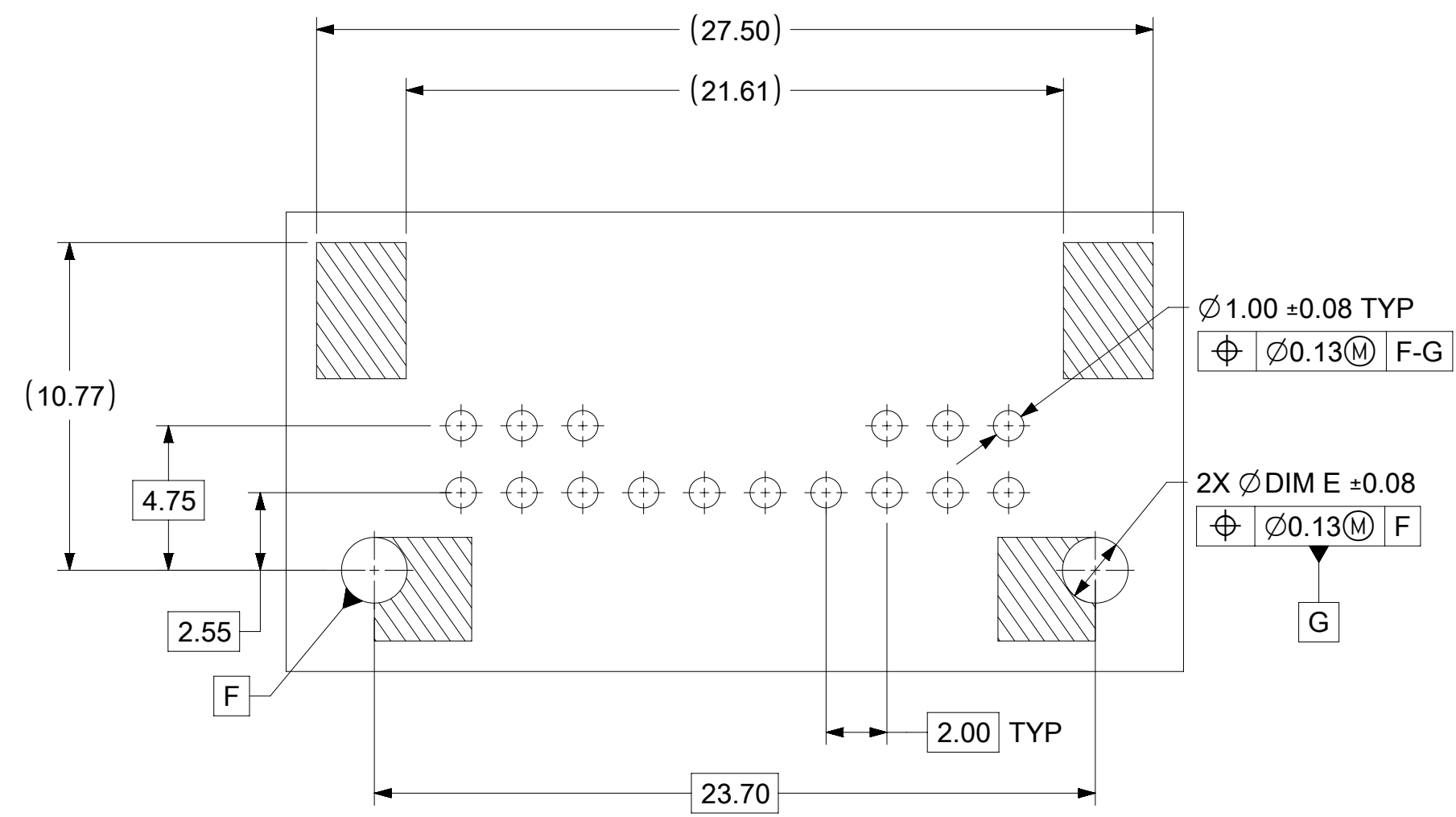
POST HOLE TABLE

	DIM E
PRESS FIT	2.15
DROP IN	2.55

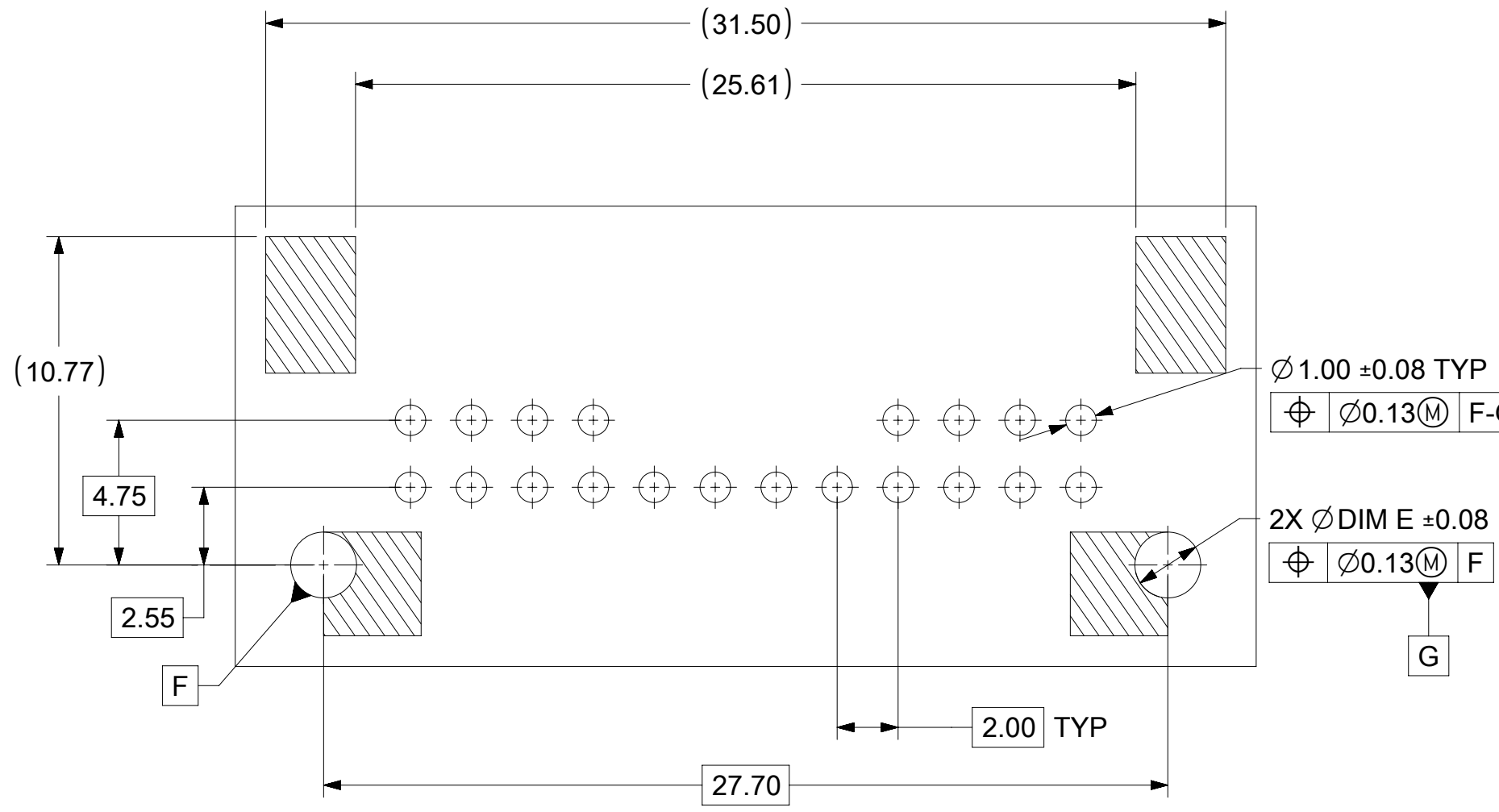
12 CIRCUIT



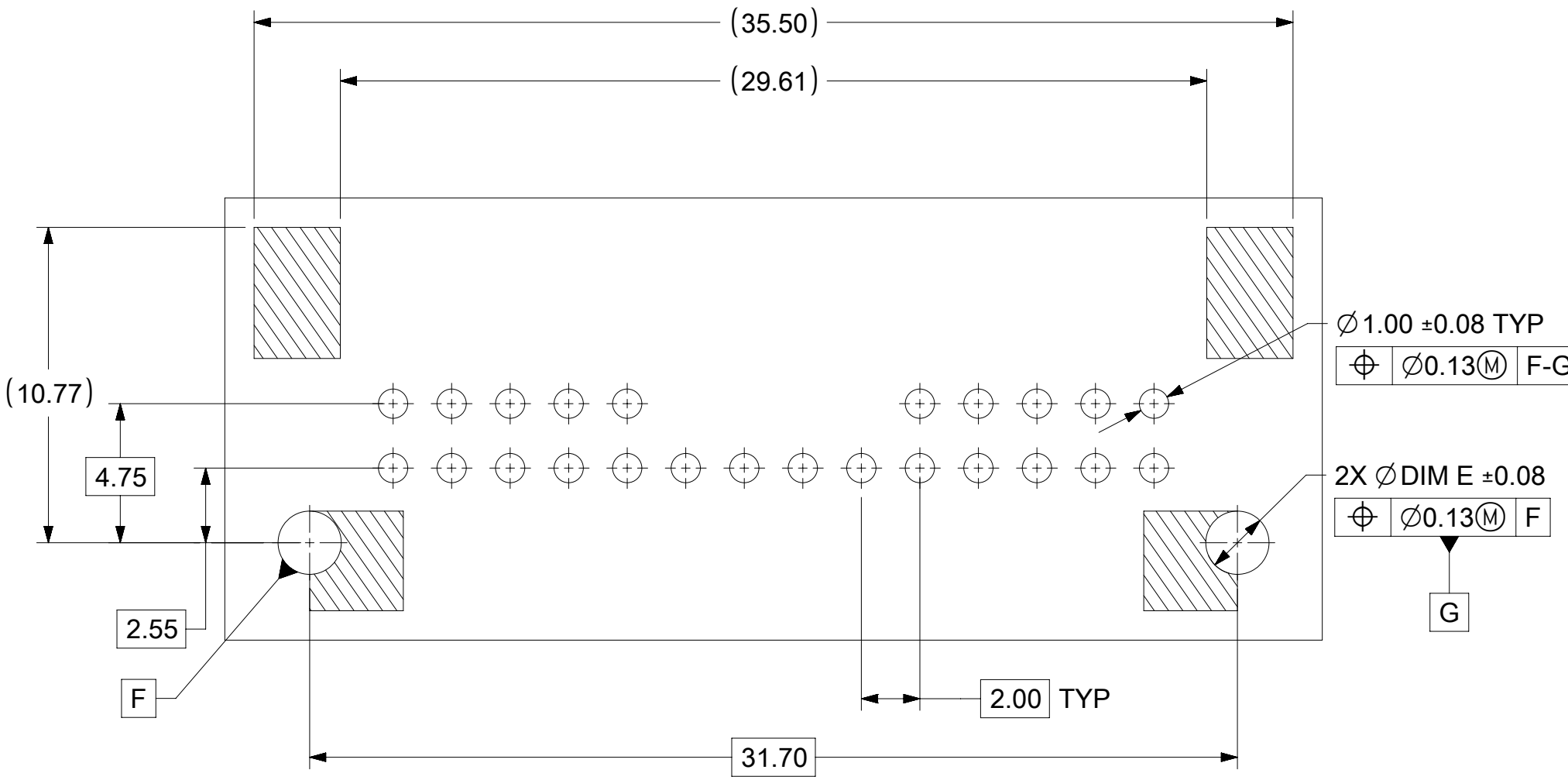
16 CIRCUIT



20 CIRCUIT



24 CIRCUIT



THIS DRAWING CONTAINS INFORMATION THAT IS PROPRIETARY TO MOLEX ELECTRONIC TECHNOLOGIES, LLC AND SHOULD NOT BE USED WITHOUT WRITTEN PERMISSION

DIMENSION UNITS mm	SCALE 5:1	CURRENT REV DESC:	molex		
GENERAL TOLERANCES (UNLESS SPECIFIED)					
ANGULAR TOL	± 3.0°	EC NO: 663283	PRODUCT CUSTOMER DRAWING		
4 PLACES	±	DRWN: SRUSS 2021/05/07	DOCUMENT NUMBER	DOC TYPE	DOC PART
3 PLACES	±	CHK'D: KHEWITT 2021/05/07	SD-34825-001	PSD	001
2 PLACES	± 0.1	APPR: JDUNAJ 2021/05/18			
1 PLACE	± 0.2	INITIAL REVISION:	MATERIAL NUMBER		
0 PLACES	±	DRWN: TMACHUGA 2012/05/03	CUSTOMER		
DRAFT WHERE APPLICABLE MUST REMAIN WITHIN DIMENSIONS		APPR: SMARCEAU 2012/05/03	GENERAL MARKET		
THIRD ANGLE PROJECTION		DRAWING	SERIES	SHEET NUMBER	
		D-SIZE	34825	3 OF 4	

MINI50 VERTICAL HEADER ASSEMBLIES

CIRCUIT	POL	COLOR	MATERIAL NUMBER TAPE AND REEL PACKAGING PK-47799-0001	MATERIAL NUMBER TUBE PACKAGING PK-31301-688	MATERIAL NUMBER TRAY PACKAGING PK-31301-440	BLADE PLATING	FLAMMABILITY	VOIDED CIRCUITS
12	A	BLACK	34825-8124	34825-9124	34825-0124	TIN	HB	N/A
	B	GRAY	34825-8125	34825-9125	34825-0125	TIN		
	C	DARK GRAY	34825-8126	34825-9126	34825-0126	TIN		
16	A	BLACK	34825-8160	34825-9160	34825-0160	TIN	HB	N/A
	B	GRAY	34825-8161	34825-9161	34825-0161	TIN		
	C	DARK GRAY	34825-8162	34825-9162	34825-0162	TIN		
20	A	BLACK	34825-8200	34825-9200	34825-0200	TIN	HB	N/A
	A	BLACK	34825-8207	N/A	N/A	TIN		1, 2, 4, 5, 7, 8, 10-12, 14, 15, 17-19
	B	GRAY	34825-8201	34825-9201	34825-0201	TIN		N/A
	C	DARK GRAY	34825-8202	34825-9202	34825-0202	TIN		N/A
24	A	BLACK	34825-8240	34825-9240	34825-0240	TIN	HB	N/A
	A	BLACK	N/A	N/A	34825-0244	TIN		2, 3, 4, 7, 8, 9, 12, 13, 14, 16, 19, 21, 22, 23
	B	GRAY	34825-8241	34825-9241	34825-0241	TIN		N/A
	B	GRAY	N/A	N/A	34825-0245	TIN		2, 3, 4, 7, 8, 9, 12, 13, 14, 16, 19, 21, 22, 23
	C	DARK GRAY	34825-8242	34825-9242	34825-0242	TIN		N/A
12	A	BLACK	215425-8124	215425-9124	215425-0124	TIN	V0	N/A
	B	GRAY	215425-8125	215425-9125	215425-0125	TIN		
	C	DARK GRAY	215425-8126	215425-9126	215425-0126	TIN		
16	A	BLACK	215425-8160	215425-9160	215425-0160	TIN	V0	N/A
	B	GRAY	215425-8161	215425-9161	215425-0161	TIN		
	C	DARK GRAY	215425-8162	215425-9162	215425-0162	TIN		
20	A	BLACK	215425-8200	215425-9200	215425-0200	TIN	V0	N/A
	B	GRAY	215425-8201	215425-9201	215425-0201	TIN		
	C	DARK GRAY	215425-8202	215425-9202	215425-0202	TIN		
24	A	BLACK	215425-8240	215425-9240	215425-0240	TIN	V0	N/A
	B	GRAY	215425-8241	215425-9241	215425-0241	TIN		
	C	DARK GRAY	215425-8242	215425-9242	215425-0242	TIN		

MATING COMPONENTS FOR ALL MATING COMPONENT PART NUMBERS SEE THE FOLLOWING SALES DRAWINGS

- GEN I RECEPTACLE ONLY: SD-34824-002
- GEN I RECEPTACLE WITH CPA: SD-34824-003
- GEN II: 2065230000

THIS DRAWING CONTAINS INFORMATION THAT IS PROPRIETARY TO MOLEX ELECTRONIC TECHNOLOGIES, LLC AND SHOULD NOT BE USED WITHOUT WRITTEN PERMISSION									
DIMENSION UNITS		SCALE		CURRENT REV DESC:					
mm		1:1		<p>molex</p> <p>MINI50 12-24CKT VERT HDR SALES DRAWING</p> <p>PRODUCT CUSTOMER DRAWING</p> <p>DOCUMENT NUMBER: SD-34825-001 DOC TYPE: PSD DOC PART: 001 REVISION: H5</p>					
GENERAL TOLERANCES (UNLESS SPECIFIED)									
ANGULAR TOL		± 3.0°							
4 PLACES		±							
3 PLACES		±							
2 PLACES		± 0.1							
1 PLACE		± 0.2		EC NO: 663283		2021/05/07			
0 PLACES		±		DRWN: SRUSS		2021/05/07			
DRAFT WHERE APPLICABLE MUST REMAIN WITHIN DIMENSIONS				THIRD ANGLE PROJECTION		DRAWING		SERIES	
				D-SIZE		34825		MATERIAL NUMBER	
						GENERAL MARKET		CUSTOMER	
								SHEET NUMBER	
								4 OF 4	